

Manuals+

[Q & A](#) | [Deep Search](#) | [Upload](#)

Manuals.plus /

- › [Devoko](#) /
- › Devoko Extendable Garden Table Instruction Manual

Devoko B0CTXMTRR4

Devoko Extendable Garden Table Instruction Manual

Model: B0CTXMTRR4 | Dimensions: 80/160 x 80 x 75 cm

INTRODUCTION

Thank you for choosing the Devoko Extendable Garden Table. This manual provides essential information for the assembly, operation, maintenance, and troubleshooting of your new outdoor table. Designed with a robust aluminum structure, this table offers durability and versatility for various outdoor settings.



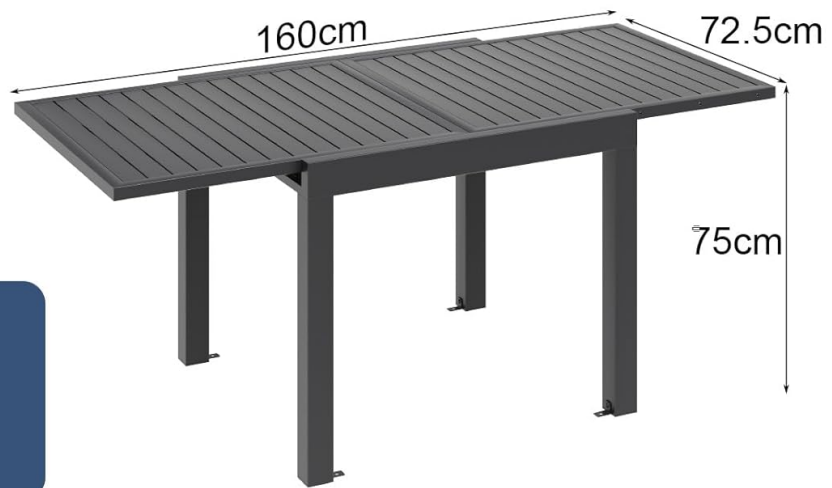
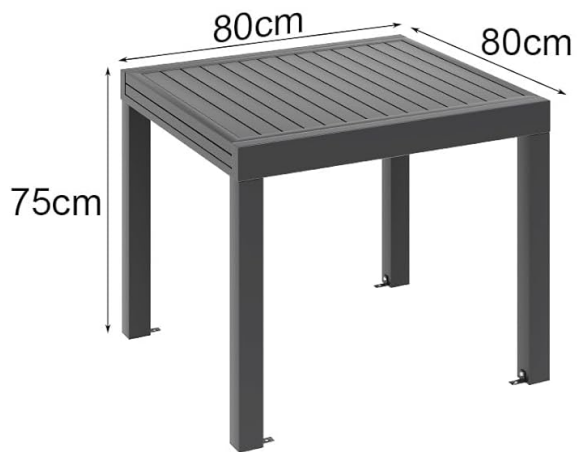
Image: The Devoko Extendable Garden Table in its compact, unextended configuration, showcasing its sleek design.

SETUP AND ASSEMBLY

The Devoko Extendable Garden Table is designed for straightforward assembly. The main table part comes pre-assembled, requiring only the attachment of the legs. All necessary assembly tools and detailed instructions are included in the packaging.

1. Carefully unpack all components and verify against the parts list provided in the instruction manual.
2. Attach the table legs to the pre-assembled tabletop using the provided hardware. Ensure all screws are tightened securely.
3. Adjust the anti-slip feet at the bottom of each leg to ensure the table is stable on various floor types.

• ABMESSUNGEN



**Für 4 oder 6
Personen**

Image: An illustrative diagram detailing the dimensions of the table in both compact and extended states, along with key assembly points.



Stabile Konstruktion



1.2 mm dicke Tischbeine



Einstellbare FüÙe

Image: Detailed view highlighting the stable construction, the 1.2 mm thick table legs, and the adjustable feet for enhanced stability on uneven surfaces.

OPERATING THE EXTENDABLE FEATURE

The Devoko garden table features an easy-to-use extension mechanism, allowing it to transform from a compact 80x80 cm table to a spacious 160x80 cm dining surface. This allows seating for 4 to 8 people.

1. To extend the table, gently pull the two halves of the tabletop outwards. The central extension leaf will automatically rise into position.
2. Push the two halves of the tabletop together until they lock securely, creating a seamless extended surface.
3. To retract, reverse the process: pull the tabletop halves apart slightly, allow the central leaf to drop, and then push the halves back together to the compact size.



Image: The Devoko table fully extended, comfortably accommodating multiple chairs, demonstrating its capacity for larger gatherings.

Ausziehbare Tischplatte

Ästhetisch ansprechend, modern und kompakt

Bis zu 6 Plätze

Ausziehbar auf 160cm.

80cm



160cm



Bis zu 4 Plätze

Image: A visual comparison illustrating the table's transformation from its compact 80cm size to its extended 160cm length, highlighting the ease of expansion.

MAINTENANCE AND CARE

The Devoko Extendable Garden Table is designed for outdoor use and features an eco-friendly aluminum coating for enhanced durability and easy maintenance.

- **Cleaning:** The tabletop can be easily cleaned with a damp cloth. For stubborn dirt, use a mild soap solution and rinse thoroughly. Avoid abrasive cleaners or harsh chemicals.
- **Protection:** To ensure a long lifespan, avoid exposing the table to direct sunlight for extended periods when not in use. Consider using a protective cover during harsh weather conditions or off-season storage.
- **Rust Resistance:** The aluminum frame is double anti-rust treated with an eco-friendly coating and matte brushed powder coating, providing excellent resistance to rust and corrosion.



 Zeitloses Design

 Langlebig

 Leicht zu reinigen

ELEGANTE PANELEN TISCHPLATTE

Image: A detailed view of the elegant slatted aluminum tabletop, emphasizing its smooth, easy-to-clean surface.

TROUBLESHOOTING

Most common issues can be resolved with simple adjustments.

- **Table Wobbles:** Check that all leg attachment screws are securely tightened. Use the adjustable feet at the bottom of each leg to level the table on uneven surfaces.
- **Extension Mechanism Stiff:** Ensure the tracks are clean and free of debris. A small amount of silicone spray (avoiding contact with the tabletop surface) can be applied to the sliding mechanism if needed.
- **Scratches/Dents:** While the aluminum is durable, minor scratches can occur. Touch-up paint matching the table's color may be used for small imperfections.

SPECIFICATIONS

Feature	Specification
Brand	Devoko

Model	B0CTXMTRR4
Color	Dark Grey
Material	Aluminum
Product Dimensions (Compact)	80 x 80 x 75 cm (Length x Width x Height)
Product Dimensions (Extended)	160 x 80 x 75 cm (Length x Width x Height)
Item Weight	16.4 Kilograms
Maximum Recommended Weight	110 Kilograms
Special Features	Weather Resistant, Extendable, Adjustable Feet

WARRANTY AND SUPPORT

Devoko is committed to providing high-quality products and customer satisfaction.

- **Return Policy:** This product is eligible for returns within 30 days of purchase, subject to the seller's return policy.
- **Customer Support:** If you encounter any installation issues, product defects, or require further assistance, please contact our customer support team. We aim to respond to all inquiries within 24 hours.

For the most up-to-date support information, please refer to the seller's contact details on the purchase platform or visit the official Devoko store page.



Image: The Devoko Extendable Garden Table positioned on an outdoor patio, demonstrating its suitability for various garden and balcony environments.