



[Manuals.plus](#) /

> [SONGMICS](#) /

> SONGMICS Large Expandable Dish Drying Rack - User Manual

SONGMICS UKCS037G01

SONGMICS Large Expandable Dish Drying Rack - User Manual

Model: UKCS037G01

Brand: SONGMICS

INTRODUCTION

Thank you for choosing the SONGMICS Large Expandable Dish Drying Rack. This manual provides essential information for the proper assembly, operation, and maintenance of your new dish rack. Designed for efficiency and durability, this rack features premium stainless steel construction, versatile storage options, and an adjustable drain spout to keep your kitchen countertop clean and dry. Please read this manual thoroughly before use and retain it for future reference.



Figure 1: Fully assembled SONGMICS Large Expandable Dish Drying Rack.

SAFETY INFORMATION

- Ensure all components are securely assembled before placing items on the rack.
- Do not overload the dish rack. The maximum weight limit is 57.3 lbs (26 kg).
- Place the dish rack on a stable, flat surface to prevent tipping.
- Keep sharp objects, such as knives, in the designated utensil holder slots to prevent injury.
- Regularly clean the drain tray to prevent water buildup and mold growth.
- Avoid using abrasive cleaners or scouring pads on the stainless steel surfaces to prevent scratches.

PARTS LIST

Please verify that all parts are present before beginning assembly:

- Main Stainless Steel Dish Rack Frame
- Drain Board/Tray (with integrated rotatable spout)
- Utensil Holder (with knife slots)
- Cup Holder (attaches to side)
- Extendable Cutting Board/Pan Holder
- Plate Holder Insert (stainless steel wire)

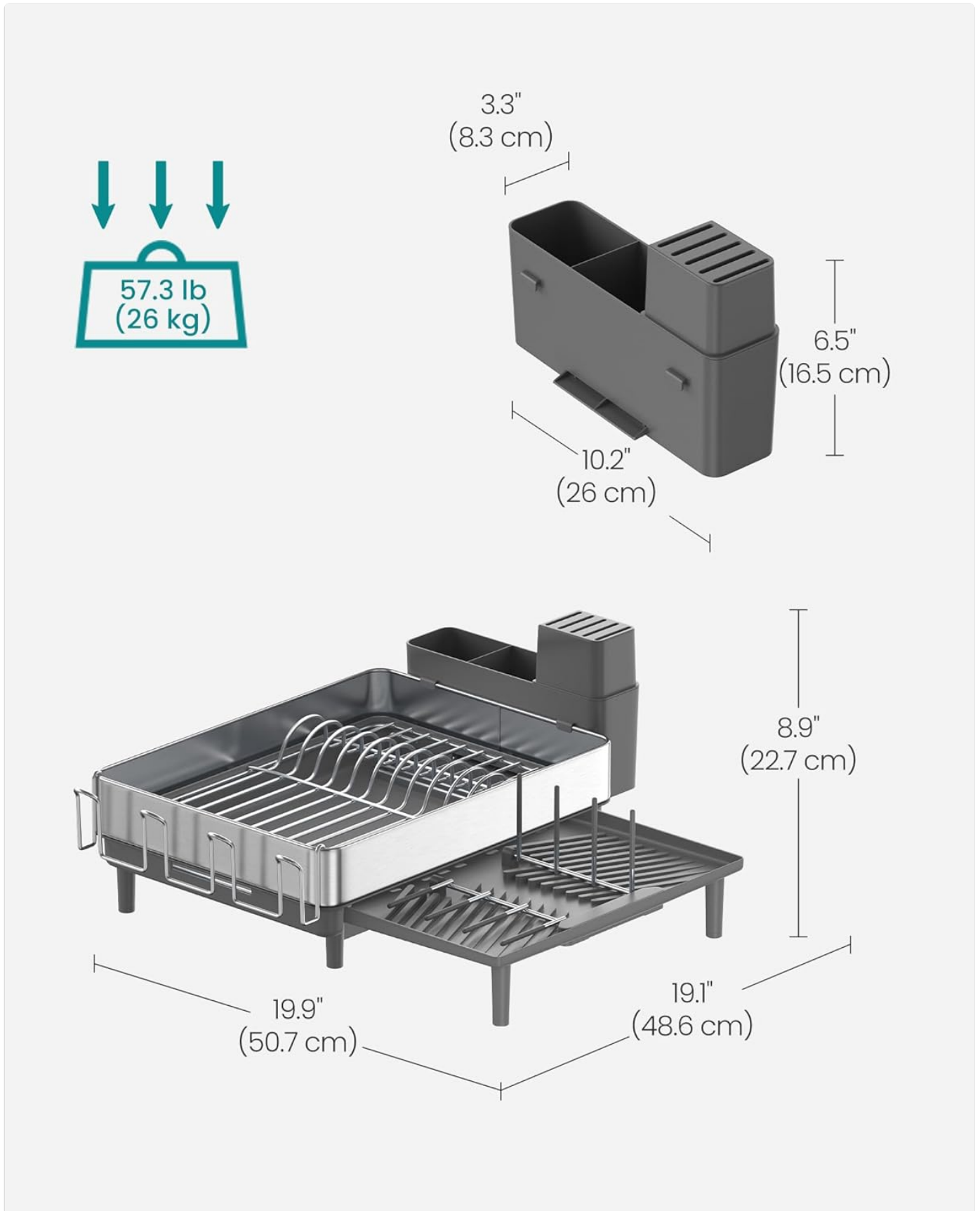


Figure 2: Product dimensions and components.

SETUP AND ASSEMBLY

The SONGMICS dish drying rack is designed for easy assembly. Follow these steps:

1. **Unpack Components:** Carefully remove all parts from the packaging and lay them out on a clean, flat surface. Check against the Parts List to ensure everything is present.
2. **Assemble Main Rack:** Place the main stainless steel dish rack frame onto the drain board/tray. Ensure it sits securely in the designated grooves.
3. **Attach Utensil Holder:** The utensil holder can be attached to either side of the main rack. Align the hooks on the utensil holder with the slots on the outer edge of the main rack and push down to secure.

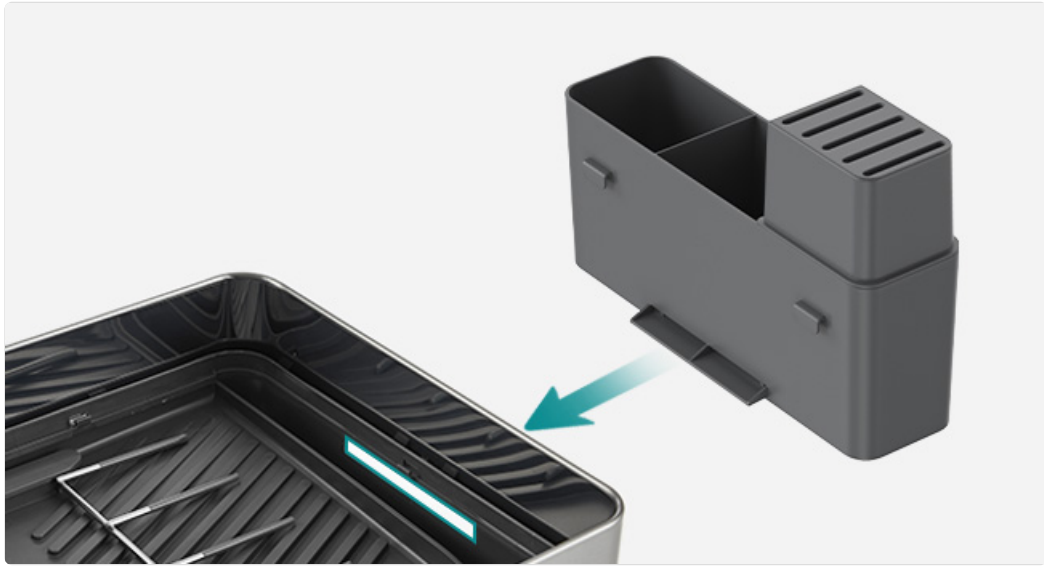


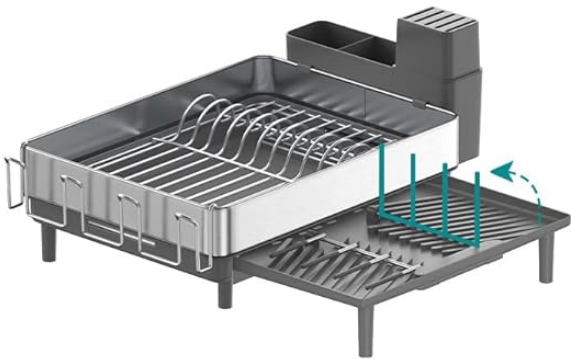
Figure 3: Attaching the utensil holder.

4. **Attach Cup Holder:** Similarly, the cup holder can be attached to the opposite side of the utensil holder, or any other suitable side, by aligning its hooks with the rack's edge.
5. **Insert Plate Holder:** Place the stainless steel wire plate holder insert into the main rack. This section is designed to hold plates upright.
6. **Position Extendable Tray:** The extendable cutting board/pan holder slides out from underneath the main rack. Pull it out to extend your drying space. The pegs on this tray can be raised to hold cutting boards or pans upright.

Extendable Holder



12.5"-19.9"
(31.7-50.7 cm)



Pull out the Tray
and Raise the Pegs



Organize Your Pans
and Cutting Boards

Figure 4: Utilizing the extendable holder.

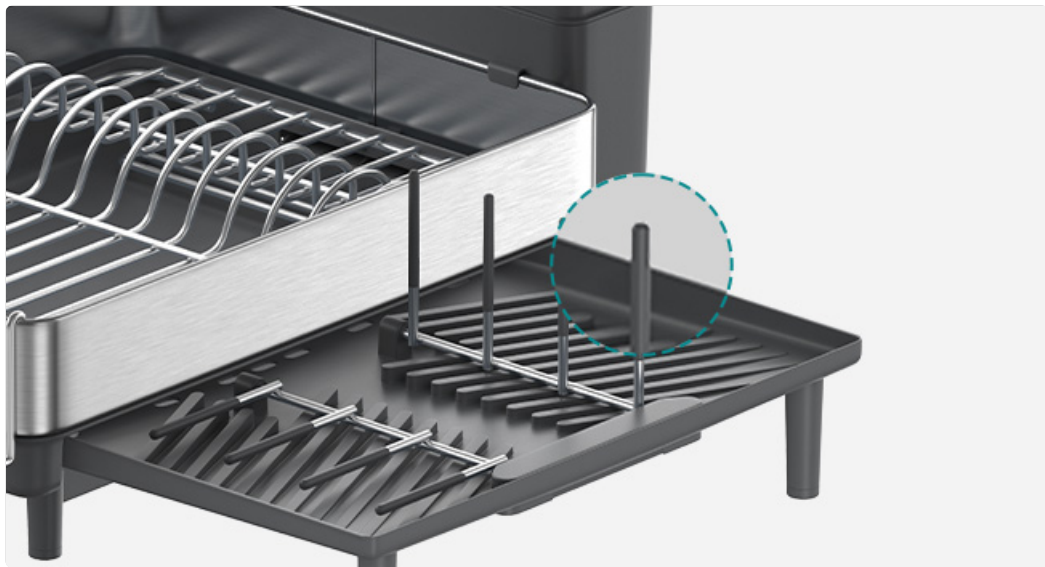


Figure 5: Detail of extendable tray pegs.

7. **Adjust Drain Spout:** Locate the drain spout on the underside of the drain board. It can be rotated 360 degrees and extended to direct water directly into your sink, ensuring your countertop remains dry.

OPERATING INSTRUCTIONS

Using your SONGMICS dish drying rack is straightforward:

- **Placement:** Position the assembled dish rack on your kitchen countertop, ensuring the rotatable drain spout is directed towards your sink. Adjust the spout's angle and extension as needed to facilitate proper drainage.
- **Loading Dishes:**
 - Use the main rack's plate holder to stand up to 11 plates. The rack is suitable for plates with a diameter of 3.9" to 10.6" (10-27 cm) and a thickness of less than 1" (2.5 cm).



Figure 6: Applicable plate sizes.

- Place bowls and other smaller items in the open section of the main rack (capacity for up to 10 bowls).
- Hang up to 4 cups on the external cup holder.
- Insert knives, forks, spoons, and other utensils into the dedicated slots of the utensil holder (capacity for up to 25 utensils and 4 knives).
- For larger items like cutting boards or pans, extend the side tray and raise the pegs to hold them upright. The tray can hold up to 3 cutting boards.

Space for All Dinnerware



×25



×4



×4



×10



×11



×3



Figure 7: Storage capacity overview.

- **Flexible Configuration:** The utensil holder and cup holder can be swapped or placed on either side of the main rack to best suit your kitchen layout and personal preference.

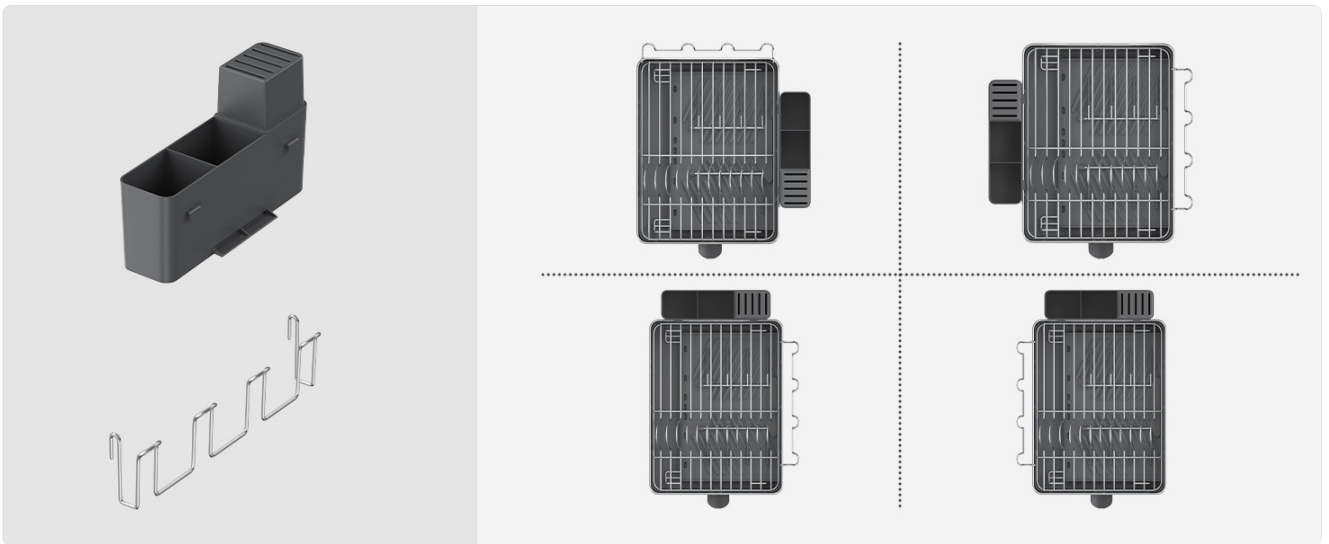


Figure 8: Flexible configuration options.

MAINTENANCE

To ensure the longevity and hygiene of your SONGMICS dish drying rack, follow these maintenance guidelines:

- **Regular Cleaning:** Wipe down the stainless steel and plastic components regularly with a soft cloth and mild dish soap. Rinse thoroughly with water.
- **Drain Tray:** Periodically remove the main rack from the drain tray and clean the tray to prevent water spots, mineral buildup, or mold. The tray is designed for easy cleaning.

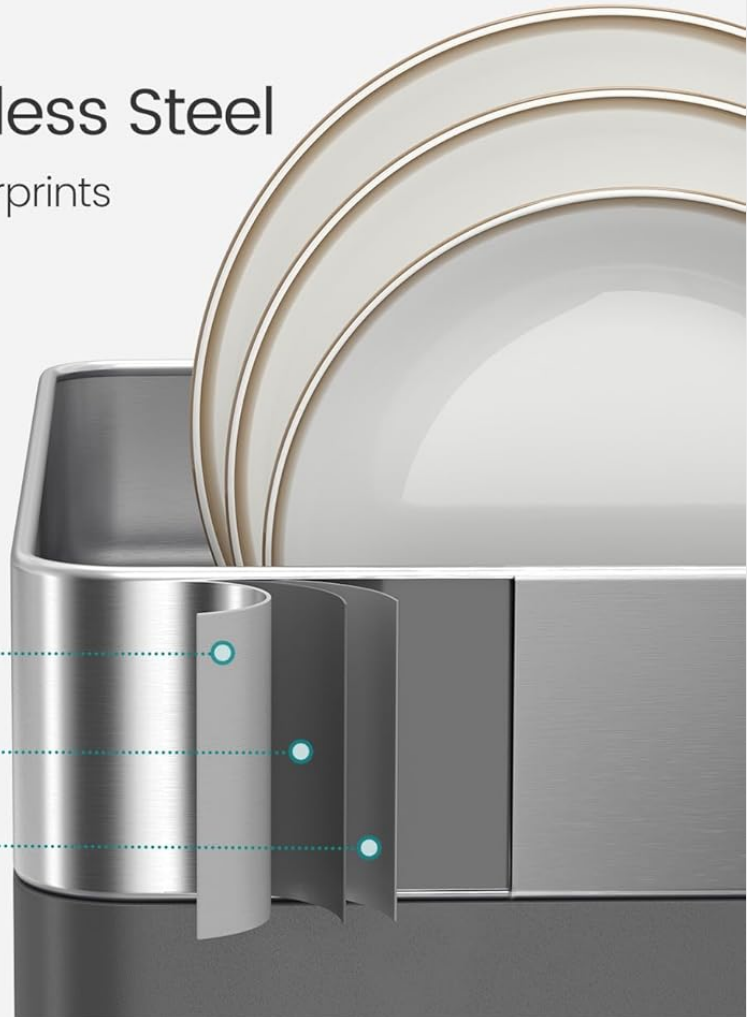
Rustproof Stainless Steel

Resistant to oil and fingerprints

Clear Varnish

Brushed Layer

Stainless Steel



Easy to Clean



Resistant to Fingerprints

Figure 9: Easy to clean stainless steel surface.

- **Drying:** After cleaning, dry all parts thoroughly to prevent water spots, especially on the stainless steel.
- **Avoid Harsh Chemicals:** Do not use abrasive cleaners, steel wool, or harsh chemical detergents, as these can damage the finish of the stainless steel and plastic parts.

TROUBLESHOOTING

If you encounter any issues with your dish drying rack, refer to the following common problems and solutions:

Problem	Possible Cause	Solution
---------	----------------	----------

Problem	Possible Cause	Solution
Water pooling on countertop	Drain spout not positioned correctly or extended enough.	Ensure the drain spout is rotated and extended directly over the sink. Check for any obstructions.
Rack feels unstable or wobbly	Not placed on a flat surface; components not fully assembled.	Move the rack to a flat, stable surface. Recheck all connections and ensure the main rack is seated correctly in the drain board.
Dishes not drying properly	Overcrowding; insufficient air circulation.	Avoid stacking too many dishes. Ensure there is adequate space between items for air to circulate.
Rust spots on stainless steel	Exposure to harsh chemicals; prolonged water exposure; improper drying.	Clean with mild soap and water, then dry immediately. Avoid abrasive cleaners. For existing spots, use a stainless steel cleaner.

SPECIFICATIONS

Model: UKCS037G01

Color: Silver + Gray

Material: Stainless Steel, PP (Polypropylene) Plastic

Product Dimensions: 19.9"D x 19.1"W x 8.9"H (50.7 cm D x 48.6 cm W x 22.7 cm H)

Item Weight: 3.96 pounds (1.8 Kilograms)

Weight Limit: 57.3 Pounds (26 Kilograms)

Mounting Type: Countertop Mount

Special Features: Extendable Tray, Versatile Storage, 360° Rotatable Drain Spout, Rustproof, Oil and Fingerprint-resistant

UPC: 194343075761

WARRANTY AND SUPPORT

SONGMICS stands behind the quality of its products. This product comes with a standard manufacturer's warranty. For specific warranty details, please refer to the warranty card included with your purchase or visit the official SONGMICS website.

If you have any questions, require assistance with assembly, or need to report a defect, please contact SONGMICS customer support:

- **Online Support:** Visit the [SONGMICS Store on Amazon](#) for FAQs and contact information.
- **Email:** Refer to your product packaging or the official website for the customer service email address.

Please have your model number (UKCS037G01) and purchase date ready when contacting support.