



[Manuals.plus](#) /

› [Madesa](#) /

› Madesa Reims TV Stand Instruction Manual for up to 80-inch TVs

Madesa Reims

Madesa Reims TV Stand Instruction Manual

Model: Reims (691709ACP)

INTRODUCTION

Thank you for choosing the Madesa Reims TV Stand. This manual provides important information for the safe assembly, operation, and maintenance of your new furniture. Please read all instructions carefully before beginning assembly and retain this manual for future reference.

The Madesa Reims TV Stand is designed to accommodate televisions up to 80 inches, offering a modern and functional solution for your living space with its two doors and one central drawer.

SAFETY INFORMATION

To ensure safe use and prevent damage, please observe the following safety guidelines:

- **Weight Limit:** Do not exceed the recommended weight limit for the television and any electronic devices placed on the stand. Overloading can cause instability and damage.
- **Stable Surface:** Always assemble and place the TV stand on a stable, level surface to prevent tipping.
- **Pinch Points:** Be aware of potential pinch or crush points, especially when opening and closing the doors and drawer. Keep hands clear.
- **Assembly Protection:** For your safety during assembly, it is recommended to wear gloves and safety glasses.
- **Children and Pets:** Keep children and pets away from the assembly area. Do not allow children to climb on or play with the assembled furniture.

PACKAGE CONTENTS

Before starting assembly, verify that all components and hardware are present. Refer to the detailed parts list in the included assembly manual.

- Madesa Reims TV Stand components (engineered wood panels)
- Solid wood feet
- Hardware kit (screws, dowels, cam locks, drawer slides, door hinges)

- Detailed assembly manual

SETUP AND ASSEMBLY

The Madesa Reims TV Stand is designed for straightforward assembly. Follow the step-by-step instructions provided in the included manual. It is recommended to have a second person assist with assembly.

1. **Prepare Workspace:** Clear a spacious, clean, and level area for assembly. Lay down a blanket or cardboard to protect the furniture pieces and your floor.
2. **Identify Parts:** Unpack all components and identify them using the parts list in the manual.
3. **Follow Manual:** Carefully follow the numbered steps in the assembly manual. Do not overtighten screws.
4. **Attach Feet:** Securely attach the solid wood feet as instructed.
5. **Install Doors and Drawer:** Mount the doors using the provided hinges and install the drawer with its metal slides. Adjust hinges for proper door alignment if necessary.
6. **Final Placement:** Once assembled, carefully move the TV stand to its desired location on a stable, level floor.

Note: Some customers have found assembly easier by referring to an official assembly video. Check the packaging for a QR code or link to such a video, if available.



Image: The Madesa Reims TV Stand fully assembled, showcasing its modern design and capacity for a large television.



Image: The TV stand with its two side doors and central drawer open, illustrating the available storage compartments.

OPERATING INSTRUCTIONS

The Madesa Reims TV Stand is designed for simple and efficient use:

- **TV Placement:** Carefully place your television on the top surface. Ensure it is centered and stable. The stand supports TVs up to 80 inches.
- **Storage:** Utilize the two side doors for concealed storage of media, accessories, or other items. The central drawer, equipped with metal slides, provides easy access for smaller items.
- **Cable Management:** While not explicitly designed with cable cutouts, cables can be routed behind the unit or through the open back sections of the compartments for organization.



Image: The TV stand accommodating a large television, with an overlay indicating a maximum TV size of 80 inches.

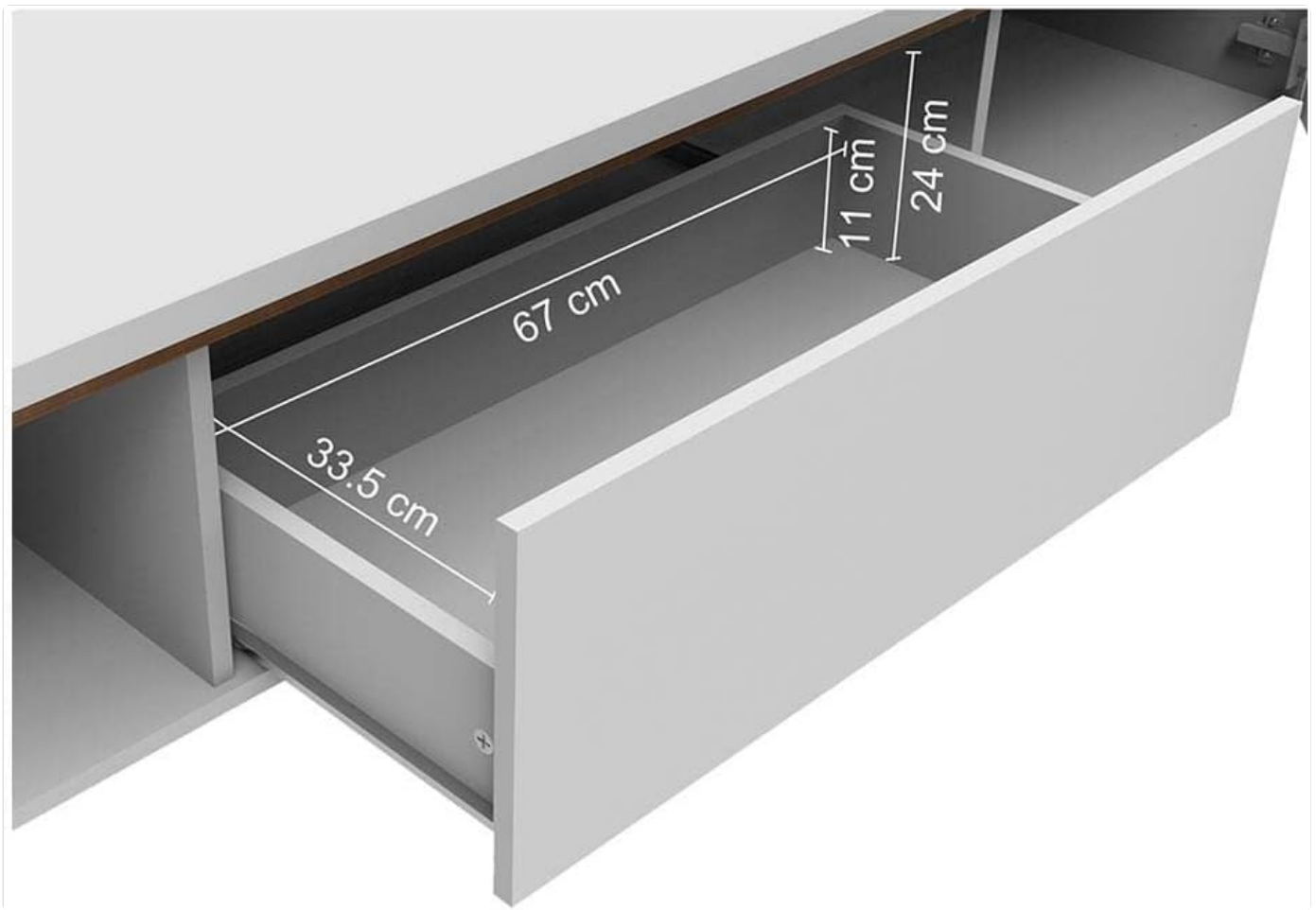


Image: A detailed view of the central drawer, showing its internal dimensions for storage planning.

MAINTENANCE

To maintain the appearance and longevity of your Madesa Reims TV Stand:

- **Cleaning:** Wipe surfaces with a soft, damp cloth. Avoid abrasive cleaners or harsh chemicals, as these can damage the polyester paint finish.
- **Spills:** Clean up spills immediately to prevent staining or damage to the wood.
- **Heat and Moisture:** Avoid placing hot items directly on the surface. Use coasters or protective pads. Keep the stand away from excessive moisture or direct sunlight to prevent warping or fading.
- **Hardware Check:** Periodically check all screws and fittings to ensure they remain tight. Retighten if necessary.



Image: A close-up highlighting the rustic wood details and the sturdy solid wood feet of the TV stand.

TROUBLESHOOTING

Problem	Possible Cause	Solution
Difficulty during assembly	Incorrect part orientation, missing pre-drilled holes (rare), or unclear instructions.	Review the assembly manual carefully. Ensure all parts are oriented correctly. If issues persist, contact Madesa customer support. Refer to any available assembly videos.
Doors or drawer do not align/close properly	Hinges or drawer slides are not adjusted correctly, or screws are loose.	Adjust the door hinges as per the manual. Ensure drawer slides are properly installed and lubricated if needed. Tighten all screws.
Stand feels wobbly	Not placed on a level surface, or hardware is loose.	Ensure the stand is on a completely level surface. Check and tighten all assembly hardware.

Problem	Possible Cause	Solution
---------	----------------	----------

SPECIFICATIONS

Brand: Madesa

Model: Reims (691709ACP)

Color: White with rustic wood details

Material: High-quality engineered wood (medium-density particle board), solid wood feet

Finish: 7-layer polyester paint, resistant to alcohol, water, and heat

Dimensions (Overall): 180 cm (Width) x 50 cm (Height) x 40 cm (Depth)

Maximum TV Size: Up to 80 inches

Storage: 2 doors, 1 central drawer with metal slides

Drawer Internal Dimensions: Approximately 67 cm (Width) x 33.5 cm (Depth) x 11 cm (Height)

Assembly Required: Yes

Installation Type: Freestanding (Floor Mount)



Image: Dimensional diagram of the TV stand, indicating its overall measurements.

WARRANTY AND SUPPORT

Madesa products are known for their quality and durability. For specific warranty information, please refer to the documentation included with your purchase or visit the official Madesa website.

If you encounter any issues during assembly or use, or if you have questions about your Madesa Reims TV Stand, please contact Madesa customer support. Contact details can typically be found on the Madesa website or in your product packaging.

You can also visit the [Madesa Brand Store on Amazon](#) for more information and products.

