

Bellemave TH-00202-T-K

Bellemave Twin Size Low Loft Bed for Kids

Model: TH-00202-T-K

1. SAFETY INFORMATION

Please read and understand all instructions before assembling and using this product. Keep this manual for future reference.

- **Maximum Weight Capacity:** The top loft bed has a maximum weight capacity of 200 lbs. Do not exceed this limit.
- **Guardrails:** This bed features 13.8-inch full-length guardrails to protect users from falling. Ensure guardrails are always securely installed.
- **Ladder Safety:** The built-in 2-step ladder has smooth rounded edges for comfortable and safe climbing. Always use the ladder for entry and exit. Do not jump on or off the bed.
- **Mattress Requirements:** Use only a twin-size mattress that meets the recommended thickness to ensure proper guardrail height.
- **Ventilation:** Ensure adequate ventilation around the bed.
- **Regular Checks:** Periodically check all connections and hardware to ensure they remain tight and secure. Tighten as necessary.
- **Age Recommendation:** This low loft bed is designed for children. Ensure the user is old enough to safely use a loft bed.



Image: Detail of the integrated 2-step ladder, designed for safe and easy access to the bed.

2. PRODUCT OVERVIEW

The Bellemave Twin Size Low Loft Bed is designed to maximize space in smaller rooms while providing a comfortable sleeping area and ample storage. Constructed from high-quality pine wood and MDF, this bed offers durability and stability.

Key Features:

- **Low Loft Design:** Standing at 43.3 inches tall, this design provides valuable floor space underneath while remaining easily accessible for children.
- **Integrated Storage:** Features four large drawers, two open compartments, and a cabinet with shelves, offering extensive storage for books, toys, clothes, and other belongings.
- **Safety Features:** Equipped with full-length guardrails and a sturdy 2-step ladder with smooth edges.
- **No Box Spring Needed:** The bed frame includes slats to support the mattress directly.



Image: Front view of the Bellemave Low Loft Bed, highlighting its compact design and integrated storage solutions.

Dimensions:

Measurement	Value
Overall Length	81.8 inches
Overall Width	40.8 inches
Overall Height	43.3 inches
Guardrail Height	13.8 inches
Under-bed Clearance (to bottom of bed frame)	29.8 inches

SIZE: INCH

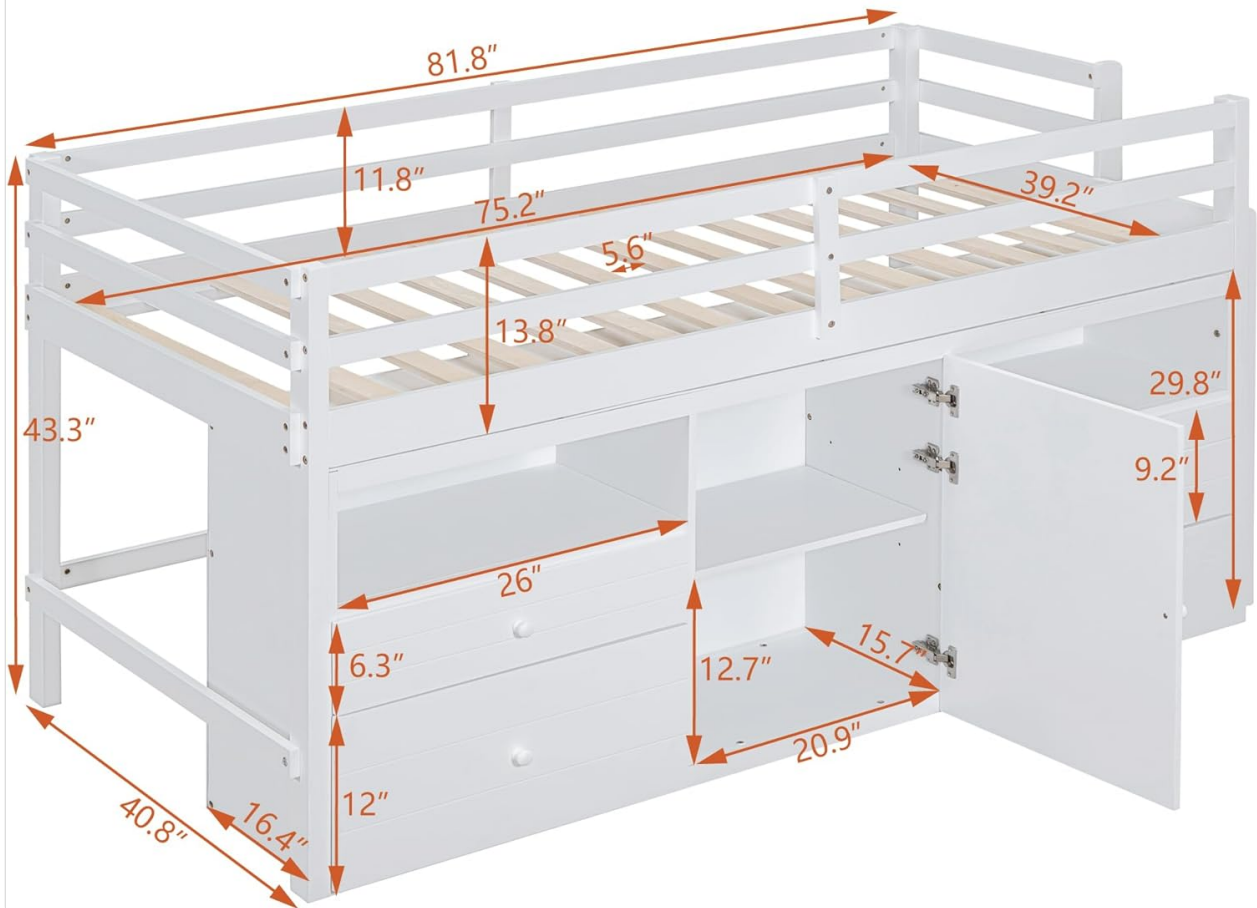


Image: Technical drawing illustrating the precise dimensions of the low loft bed.

3. SETUP (ASSEMBLY)

Assembly of the Bellemave Low Loft Bed is designed to be straightforward. It is recommended that two adults assemble the bed for safety and ease.

Before You Begin:

- **Unpack Carefully:** The product is typically shipped in two separate boxes. You may receive them at different times. Open all packages and lay out all components on a soft, clean surface to prevent scratches.
- **Verify Parts:** Compare all included parts and hardware against the parts list provided in the separate assembly instructions. Contact customer support immediately if any parts are missing or damaged.
- **Tools:** All necessary accessories and tools for assembly are provided.

Assembly Steps:

1. Follow the detailed, step-by-step instructions included in your product packaging.
2. Ensure all screws, bolts, and connectors are tightened securely at each step. Do not overtighten.
3. Once assembled, gently shake the bed to confirm stability. If any wobbling occurs, re-check all connections.

4. OPERATING (USAGE)

This low loft bed is designed for sleeping and integrated storage. Proper usage ensures longevity and safety.

Bed Usage:

- Place a standard twin-size mattress directly onto the provided slats. No box spring is required.
- Always use the built-in ladder for safe access to and from the bed.
- Do not allow more than one person on the top bunk at a time.
- Ensure the area around the bed is clear of obstructions.

Storage Usage:

- Utilize the four large drawers for organizing clothing, linens, or smaller items.
- The open compartments are suitable for displaying books, decorative items, or frequently accessed toys.
- The cabinet with shelves provides enclosed storage for items you wish to keep out of sight.
- Distribute weight evenly within drawers and shelves to prevent tipping or damage.



Image: Open drawers revealing ample storage capacity within the bed frame.



Image: The cabinet door open, displaying the internal shelving for organized storage.

5. MAINTENANCE

Regular maintenance will help preserve the appearance and structural integrity of your Bellemave Low Loft Bed.

- **Cleaning:** Wipe surfaces with a soft, damp cloth. Avoid harsh chemicals or abrasive cleaners, which can damage the finish.
- **Hardware Check:** Periodically (e.g., every 3-6 months) inspect all bolts, screws, and connections. Tighten any loose hardware to maintain stability and safety.
- **Wood Care:** Protect the wood from extreme temperature changes and direct sunlight, which can cause warping or fading.
- **Moving the Bed:** When moving the bed, lift it rather than dragging it to prevent damage to the frame and floor.

6. TROUBLESHOOTING

If you encounter any issues with your Bellemave Low Loft Bed, refer to the following common solutions.

- **Wobbling or Instability:**

- Ensure all assembly hardware (screws, bolts) is fully tightened.
- Verify that all parts are correctly aligned according to the assembly instructions.
- Check that the bed is placed on a flat, even surface.

- **Drawers Not Sliding Smoothly:**

- Check for any obstructions in the drawer glides.
- Ensure the drawer slides are properly aligned and securely attached.
- Avoid overloading drawers, which can cause them to stick.

- **Missing or Damaged Parts:**

- If you received the product with missing or damaged parts, do not proceed with assembly.
- Contact Bellemave customer support immediately for assistance and replacement parts.

7. SPECIFICATIONS

Detailed specifications for the Bellemave Twin Size Low Loft Bed.

Feature	Detail
Model Number	TH-00202-T-K
Size	Twin Size
Material	Pine Wood, MDF
Product Dimensions (L x W x H)	81.8" x 40.8" x 43.3"
Item Weight	93 Pounds
Maximum Weight Recommendation	250 Pounds
Color	White Drawers
Style	Modern
Special Features	No Box Spring Needed, Storage Drawers, Cabinet, Shelves, Guardrails, Ladder
Assembly Required	Yes
UPC	733805501211

8. WARRANTY & SUPPORT

For warranty information, product support, or to report missing/damaged parts, please contact Bellemave customer service directly. Refer to your purchase documentation for specific contact details.

This product is eligible for 90-day easy returns through Amazon.com. Please refer to Amazon's return policy for details.

For additional assistance, you may visit the official Bellemave store on Amazon:[Bellemave Store](#)

© 2026 Bellemave. All rights reserved.