



[Manuals.plus](#) /

› [Karlhome](#) /

› Karlhome Twin Over Twin Bunk Bed User Manual

Karlhome B0CTMJ4ZW2

Karlhome Twin Over Twin Bunk Bed User Manual

Model: B0CTMJ4ZW2

INTRODUCTION

This manual provides comprehensive instructions for the assembly, operation, and maintenance of your Karlhome Twin Over Twin Bunk Bed with 2 Drawers. Please read this manual thoroughly before assembly and use to ensure safe and proper operation of the product. Keep this manual for future reference.



Image: The Karlhome Twin Over Twin Bunk Bed in white, featuring a ladder and two under-bed storage drawers. The bed is set up in a room with a grey wall and carpet.

SAFETY INFORMATION

WARNING: Failure to follow these safety instructions could result in serious injury.

- Always use the ladder to access the upper bunk. Never jump or climb onto the upper bunk from the side to prevent falls.
- Ensure all connections are tight before each use. Periodically check and tighten all bolts and fasteners.
- The top bunk is designed with guardrails. Do not remove or modify these guardrails.
- Ensure the mattress used on the top bunk is of the appropriate size and thickness to maintain adequate guardrail height.
- Do not allow children under 6 years of age on the upper bunk.
- Prohibit more than one person on the upper bunk.

- Prohibit horseplay on or under the bed.
- Use only mattresses that are 75 inches long and 39 inches wide for twin beds.
- The maximum mattress thickness for the upper bunk should not exceed 6 inches to ensure guardrail effectiveness.

COMPONENTS LIST

Before beginning assembly, verify that all parts are present and undamaged. Refer to the included installation manual for a detailed list of components and hardware.

- Bed Frame Components (Metal tubing, slats)
- Ladder
- Guard Rails
- 2 Under-bed Storage Drawers with wheels
- Assembly Hardware (Screws, bolts, nuts, washers)
- Installation Manual
- Assembly Tools (Hex key, wrench - typically included)

SETUP AND ASSEMBLY

The Karlhome Twin Over Twin Bunk Bed is designed for straightforward assembly. It is recommended that two adults assemble this product. Please follow the step-by-step instructions provided in the separate *Installation Manual* included with your purchase.

1. **Unpack and Identify Parts:** Carefully unpack all components and lay them out on a clean, soft surface (e.g., a rug or blanket) to prevent scratches. Compare all parts against the components list in the installation manual.
2. **Assemble Bed Frames:** Begin by assembling the main frames for both the upper and lower bunks according to the manual's diagrams. Ensure all connections are finger-tight at this stage.
3. **Attach Support Slats:** Securely attach the metal bed slats to both bed frames. These slats provide firm support for your mattress and eliminate the need for a box spring.
4. **Connect Bunks:** Carefully lift and connect the upper bunk frame to the lower bunk frame using the designated connectors and hardware. Ensure proper alignment.
5. **Install Ladder and Guard Rails:** Attach the ladder securely to the designated points on the bunk bed. Install the guard rails on the upper bunk, ensuring they are firmly fastened.
6. **Assemble and Insert Drawers:** Assemble the two under-bed storage drawers. Each drawer is designed with wheels for easy access. Once assembled, slide them into position under the lower bunk.
7. **Final Tightening:** Once all components are in place and aligned, systematically tighten all bolts and screws using the provided tools. Do not overtighten.

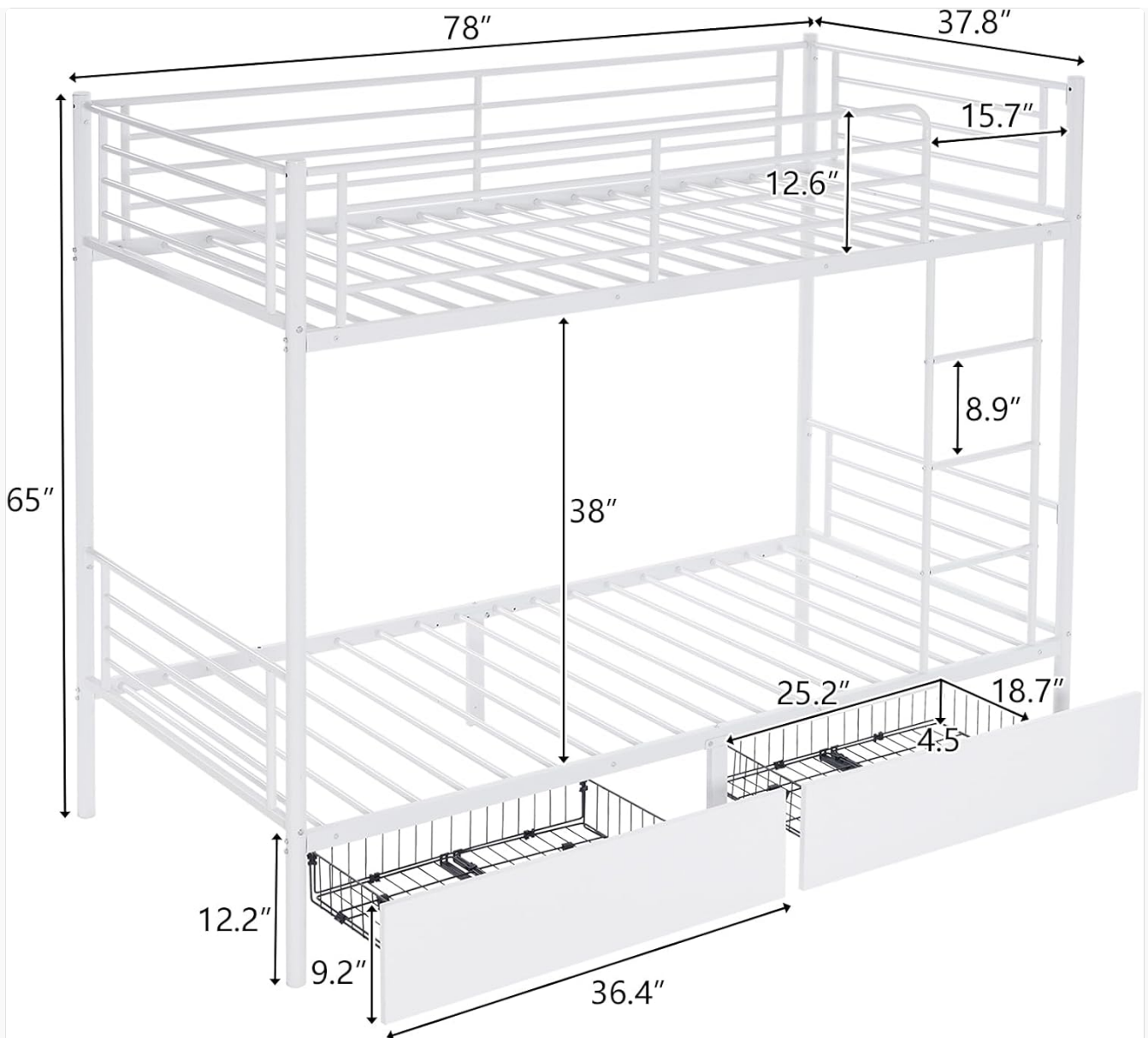


Image: A detailed diagram illustrating the dimensions of the Karlhome Twin Over Twin Bunk Bed, including height, length, width, and internal measurements for both bunks and drawers.

OPERATING INSTRUCTIONS

Using the Bunk Bed

- **Upper Bunk Access:** Always use the integrated ladder to access the upper bunk. Ensure a firm grip on the ladder rungs and guardrails when climbing up or down.
- **Mattress Placement:** Place a twin-sized mattress on both the upper and lower bunks. No box spring is required due to the sturdy metal slat support system.
- **Guard Rail Safety:** The upper bunk features guard rails for safety. Ensure the mattress does not exceed the recommended thickness to maintain adequate guardrail height above the mattress surface.



Image: A side view of the Karlhome Twin Over Twin Bunk Bed, clearly showing the integrated ladder for upper bunk access and the two under-bed storage drawers.



Image: A close-up view of the top bunk's guardrail, highlighting its height and the curved corner design for safety.

Utilizing Storage Drawers

- The two under-bed drawers provide convenient storage for clothes, toys, or other items.
- Each drawer is equipped with wheels, allowing for smooth and easy access. Simply pull the drawer out from under the bed to open and push it back in to close.
- Avoid overloading the drawers to ensure smooth operation and prevent damage to the wheels or drawer structure.



Image: The Karlhome Twin Over Twin Bunk Bed with both under-bed storage drawers fully extended, showcasing their capacity and accessibility.



Image: A close-up view of one of the under-bed storage drawers pulled out, showing its internal wire basket design and some stored items like blankets and books.

MAINTENANCE

- **Cleaning:** Wipe the bed frame with a dry cloth to remove dust and dirt. Avoid using harsh chemicals or abrasive cleaners, as they may damage the painted finish.
- **Regular Checks:** Periodically inspect all bolts, screws, and connections to ensure they remain tight. Retighten any loose fasteners to maintain stability and safety.
- **Drawer Maintenance:** Keep the drawer wheels free of debris to ensure smooth operation. If drawers become difficult to open or close, check for obstructions or damage to the wheels.
- **Structural Integrity:** Do not modify the bed frame or its components. Any modifications may compromise the structural integrity and safety of the bunk bed.

TROUBLESHOOTING

Problem	Possible Cause	Solution
Bed feels wobbly or unstable.	Loose bolts or connections.	Check and tighten all assembly bolts and screws. Ensure all parts are correctly aligned.
Drawers are difficult to open/close.	Overloaded drawer, debris in wheels, or misaligned.	Reduce contents in the drawer. Clean wheels and tracks. Ensure drawers are properly seated in their guides.
Squeaking noises from the bed.	Loose connections or friction between metal parts.	Tighten all bolts. If squeaking persists, apply a small amount of silicone lubricant to connection points (avoiding areas that contact mattresses).
Missing parts during assembly.	Packaging error or lost during unpacking.	Carefully check all packaging materials. Contact Karlhome customer support with your product model and a list of missing parts.

SPECIFICATIONS

Feature	Detail
Model	B0CTMJ4ZW2
Brand	Karlhome
Type	Twin Over Twin Bunk Bed with 2 Drawers
Color	White
Material	Heavy-Duty Metal (Alloy Steel)
Finish Type	Painted
Product Dimensions (L x W x H)	77.95" x 38.74" x 64.96" (198L x 98.4W x 165H cm)
Item Weight	62.8 pounds
Weight Capacity (Each Bed)	Approximately 400 pounds
Compatible Mattress Size	Twin (75"L x 39"W)
Special Feature	No Box Spring Needed
Assembly Required	Yes
Included Components	Installation Manual, Bed Frame, Ladder, Guard Rails, 2 Storage Drawers

WARRANTY AND SUPPORT

For any questions regarding assembly, missing parts, or product performance, please contact Karlhome customer support. Refer to the contact information provided in your purchase documentation or on the manufacturer's official website.

Please retain your proof of purchase for any warranty claims. Specific warranty details may vary; consult the

documentation included with your product for precise terms and conditions.

© 2024 Karlhome. All rights reserved.