

SONGMICS ULLR903E01

SONGMICS ULLR903E01 Extendable Clothes Drying Rack Instruction Manual

Model: ULLR903E01

1. INTRODUCTION

Thank you for choosing the SONGMICS ULLR903E01 Extendable Clothes Drying Rack. This heavy-duty, stainless steel drying rack is designed for efficient and convenient air-drying of your laundry, suitable for both indoor and outdoor environments. Its extendable and foldable design offers versatile usage and easy storage. Please read this manual carefully before assembly and use to ensure proper operation and safety.

2. SAFETY INSTRUCTIONS

- Ensure all parts are securely assembled before use.
- Do not exceed the maximum weight limit of 110 lbs (50 kg).
- Distribute laundry evenly across the rods to maintain stability and prevent tipping.
- Keep children and pets away from the drying rack during use to prevent accidents.
- Avoid placing the rack on uneven surfaces.
- When folding or unfolding, be mindful of pinch points to avoid injury.

3. PACKAGE CONTENTS

Please verify that all components are present before beginning assembly:

- Main frame components (legs, crossbars)
- Extendable top rods
- Middle storage shelf rods
- Non-slip foot pads
- Assembly hardware (screws, wrench)

- Instruction manual



Image: All components of the SONGMICS ULLR903E01 Clothes Drying Rack, including the main frame, extendable rods, and accessories.

4. ASSEMBLY INSTRUCTIONS

The SONGMICS ULLR903E01 drying rack features a simple 5-step assembly process. No complex tools are required beyond what is provided.

1. **Unfold the Main Frame:** Carefully unfold the X-shaped main support frames until they are partially open.
2. **Attach the Lower Crossbars:** Connect the lower crossbars between the two main frames. Ensure they click securely into place.
3. **Install the Middle Storage Shelf:** Insert the rods for the middle storage shelf into the designated slots on the main frames.
4. **Secure the Top Rods:** Attach the two main top rods to the upper part of the X-frames. These rods are extendable.
5. **Extend and Lock:** Extend the top rods to your desired length and ensure the locking mechanisms are engaged for stability.

For Indoor and Outdoor Use

Lightweight to move wherever you need it



Image: Visual guide illustrating the quick 5-step assembly process for the drying rack.

Assembly Video Guide

Your browser does not support the video tag.

Video: A step-by-step guide demonstrating the assembly of the clothes drying rack, including unfolding and securing components.

5. OPERATING INSTRUCTIONS

Extending and Folding

- To extend the rack, unlock the clips on the top rods and gently pull the rods outwards until they reach the desired length. Secure the clips to lock them in place. The rack extends from 56.3 inches to 93.7

inches.

- To fold the rack for storage, unlock the clips on the top rods and push the rods inwards. The X-structure allows the entire unit to fold flat for compact storage.



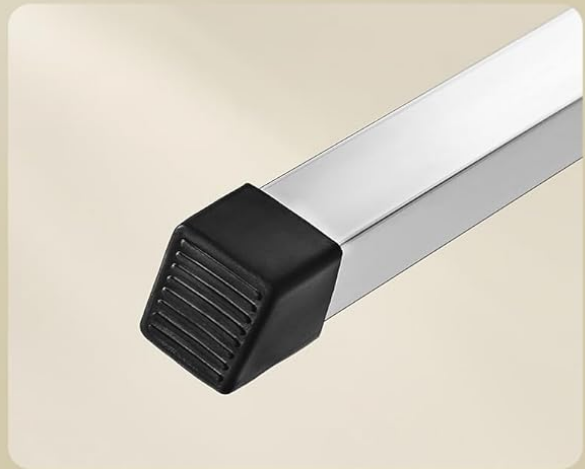
Image: The clothes drying rack fully extended, demonstrating its large drying capacity for outdoor use.

Loading Laundry

- Hang clothes on the double rods, ensuring even distribution of weight to maintain stability.
- Utilize the middle storage shelf for items like shoes, bags, or delicate garments that need to lie flat.
- The 18.1-inch spacing between the double rods promotes optimal air circulation for faster drying.



Metal Brackets for a Sturdy Structure



Non-Slip Foot Caps for Stability

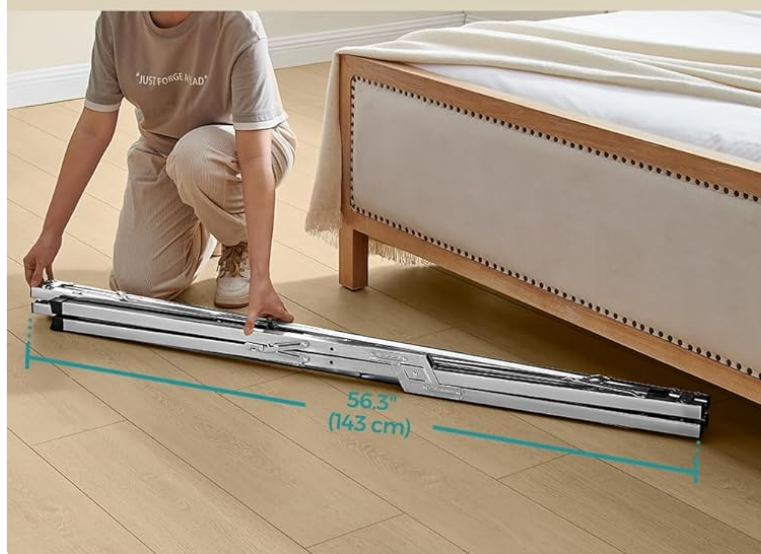
Image: The drying rack loaded with various items, showcasing the shoe storage space and the metal brackets for enhanced stability. Note: Evenly hang clothes on the double rods for optimal balance during use.

Indoor and Outdoor Use

- The stainless steel construction makes the rack rust-resistant and suitable for both indoor and outdoor environments.
- Non-slip foot pads provide stability on various floor types.

2 Ways to Store Away

Fold it up or disassemble it after use to save space



5-Step Quick Assembly

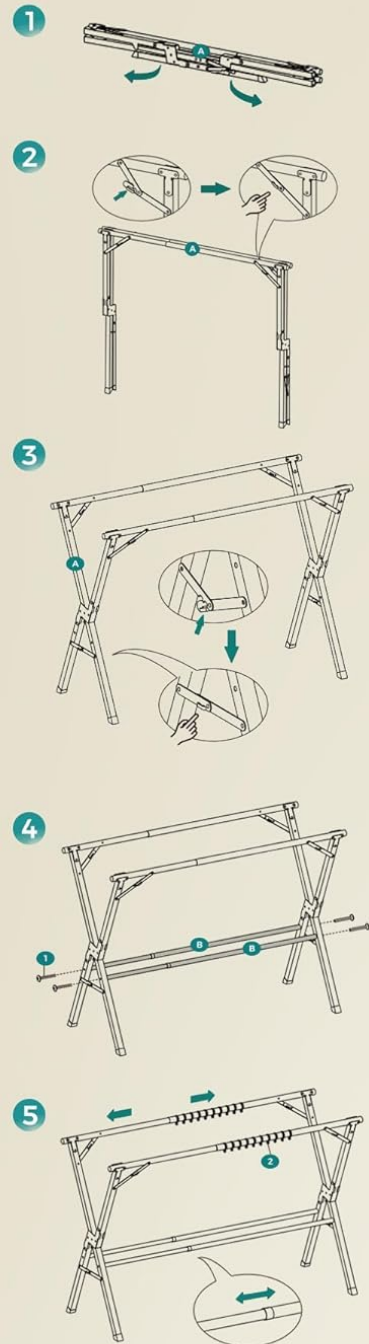


Image: The lightweight drying rack shown in both an indoor setting on a wooden floor and an outdoor patio, illustrating its versatility.

6. MAINTENANCE

- **Cleaning:** Wipe down the stainless steel frame with a damp cloth and mild detergent. Avoid abrasive cleaners that could scratch the surface.
- **Storage:** When not in use, fold the rack for compact storage in a dry place to prolong its lifespan.
- **Inspection:** Periodically check all connections and screws to ensure they are tight. Tighten if necessary.

7. TROUBLESHOOTING

- **Rack is unstable:** Ensure all locking mechanisms on the extendable rods are engaged and that the lower crossbars are securely clicked into place. Verify the rack is on a flat, even surface.
- **Difficulty extending/folding:** Check for any obstructions or debris in the sliding mechanisms. Apply a small amount of silicone spray if movement is stiff.
- **Clothes not drying efficiently:** Ensure adequate spacing between garments for air circulation. Consider moving the rack to an area with better airflow or sunlight.

8. SPECIFICATIONS

Feature	Detail
Model Number	ULLR903E01
Material	Stainless Steel
Product Dimensions (Extended)	26"D x 93.7"W x 51.2"H
Extendable Width	56.3" - 93.7" (143 cm - 238 cm)
Folded Dimensions	56.3"L x 3.15"W x 5"H (approx.)
Weight Limit	110 Pounds (50 kg)
Item Weight	11.13 pounds
Color	Dove Gray
Mounting Type	Floor Mount

↓↓↓
110 lb
(50 kg)



Image: Detailed dimensions of the drying rack, showing its extended and compactly folded states for easy understanding of its size and space-saving capabilities.

9. WARRANTY AND SUPPORT

For warranty information, product support, or to purchase replacement parts, please visit the official SONGMICS website or contact their customer service directly. Keep your purchase receipt for any warranty claims.

