

## Manuals+

[Q & A](#) | [Deep Search](#) | [Upload](#)

manuals.plus /

› [REIBII](#) /

› [REIBII 5-Tier Heavy Duty Metal Wire Shelves Instruction Manual \(Model RBBT5L\)](#)

## REIBII RBBT5L

# REIBII 5-Tier Heavy Duty Metal Wire Shelves Instruction Manual

Model: RBBT5L

## 1. PRODUCT OVERVIEW

The REIBII 5-Tier Heavy Duty Metal Wire Shelves provide a robust and adjustable storage solution. This unit is designed for versatility, suitable for various environments such as garages, pantries, kitchens, and warehouses. Its construction from heavy-duty steel wire with a powder-coated finish ensures durability and resistance to rust and oxidation.



Image 1.1: Two REIBII 5-Tier Heavy Duty Metal Wire Shelves units shown in an L-shaped configuration.

### Key Features:

- **Dimensions:** 61.7"W x 72.4"H x 15.8"D
- **Capacity:** Up to 1500 lbs total, with 300 lbs per shelf.
- **Adjustable Shelves:** Shelf height can be customized to accommodate various item sizes.

- **Durable Construction:** Made from heavy-duty steel wire with a rust-resistant powder-coated finish.
- **Easy Assembly:** Tool-free assembly, typically completed within 10 minutes by one person.

## 2. SETUP AND ASSEMBLY

---

Follow these steps for quick and easy assembly of your REIBII Metal Wire Shelves. No tools are required.

### Assembly Steps:

1. **Unpack Components:** Carefully remove all parts from the packaging. Verify that all components listed in the parts list are present.
2. **Attach Leveling Feet:** Screw the leveling feet into the bottom of the lower pole sections. Ensure they are securely tightened.
3. **Assemble Lower Poles:** Connect the lower pole sections to the middle pole sections by twisting them together. Ensure the connections are firm.
4. **Install Plastic Clips:** Place the two-part plastic clips around the poles at your desired shelf height. Ensure the clips snap together securely and are at the same height on all four poles for a level shelf.
5. **Position First Shelf:** Slide the first wire shelf down over the poles until it rests firmly on the installed plastic clips. Gently tap the shelf corners with a rubber mallet (not included) or your hand to ensure it is fully seated and stable.
6. **Repeat for Remaining Shelves:** Continue installing plastic clips and shelves at your desired intervals.
7. **Assemble Upper Poles:** Once all lower and middle shelves are in place, connect the upper pole sections to the middle pole sections.
8. **Install Remaining Shelves:** Install the remaining shelves on the upper pole sections following the same procedure.
9. **Secure Units (for 2-pack):** If assembling two units side-by-side or in an L-shape, use the provided connectors to link the units for added stability.

Your browser does not support the video tag.

Video 2.1: Detailed installation guide for the REIBII storage shelves, demonstrating each step of the assembly process.



## **Thickened Pole**

good load-bearing come from good materials



## **Heavy Duty Wire Shelving**

High Quality Wire Shelving Rack

Image 2.2: Visual representation of the three main steps for assembling the shelving unit: connecting poles, attaching clips, and placing shelves.

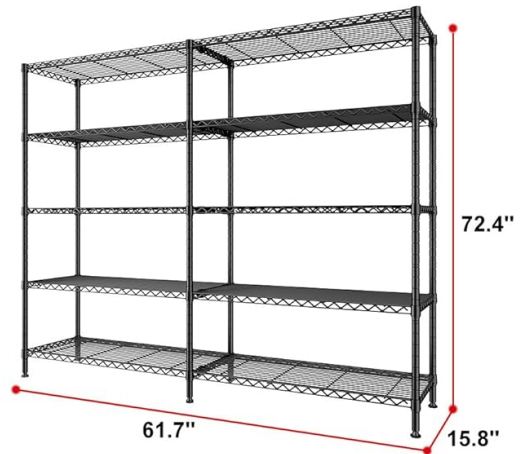
### **3. OPERATING INSTRUCTIONS**

The REIBII Metal Wire Shelves are designed for flexible storage. Here's how to maximize their utility:

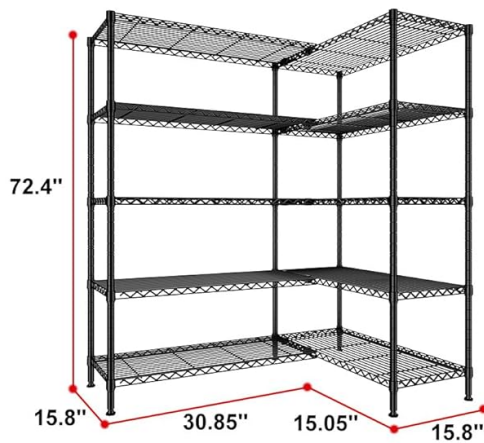
#### **Adjusting Shelf Height:**

To adjust the height of a shelf, first remove any items from that shelf. Carefully lift the shelf off its clips. Remove the plastic clips from the poles and reposition them at the desired height. Ensure the clips are securely fastened at the same level on all four poles before re-placing the shelf. This allows for customization to fit items of varying sizes.

## DIY Storage Shelves According To Different Needs



**H-SHAPED STORAGE RACK**



**L-SHAPED WIRE SHELVING RACK**



Image 3.1: An example of adjusting shelf height by removing a shelf to create space for taller items.

### Configuring Multiple Units:

If you have multiple shelving units, they can be configured in various ways, such as side-by-side or in an L-shape, to best suit your space and storage needs. Use the provided connectors to link adjacent units for enhanced stability.



**10**  
**Minutes**  
Simple installation

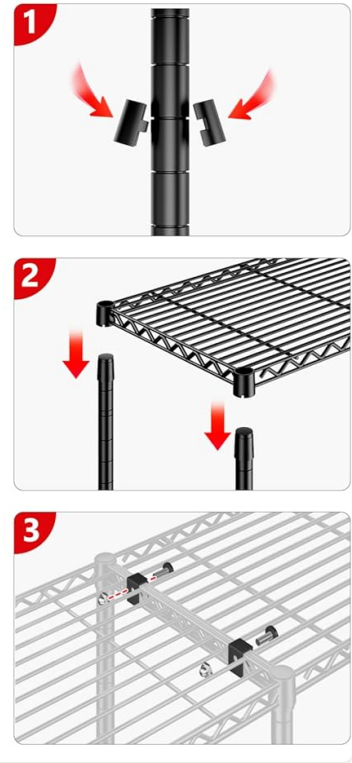


Image 3.2: Examples of different configurations, including H-shaped and L-shaped setups, to optimize storage space.

Your browser does not support the video tag.

Video 3.3: Demonstration of the wider and higher storage capabilities of the shelving units, showcasing their adaptability for various items.

## 4. MAINTENANCE

---

Proper maintenance ensures the longevity and continued performance of your shelving unit.

### Cleaning:

- Wipe the shelves and poles with a dry cloth to remove dust and debris.
- For stubborn dirt, use a slightly damp cloth with mild soap, then dry immediately to prevent water spots or rust.
- Avoid abrasive cleaners or harsh chemicals, as these can damage the powder-coated finish.

### Inspection:

- Periodically check all connections and clips to ensure they remain secure.
- Inspect the leveling feet for any signs of wear or damage.
- Ensure the unit remains stable and level, adjusting the leveling feet as needed.

## 5. TROUBLESHOOTING

---

Here are solutions to common issues you might encounter:

### Unit is Unstable/Wobbly:

- **Check Leveling Feet:** Ensure all leveling feet are properly adjusted to compensate for uneven floor surfaces.
- **Verify Shelf Clips:** Make sure all plastic clips are securely snapped onto the poles and that each shelf is fully seated on its clips.
- **Even Weight Distribution:** Distribute items evenly across the shelves to prevent imbalance.
- **Secure Connections:** For multi-unit setups, ensure the connecting clips between units are properly installed.

### Shelf Not Level:

- **Re-adjust Clips:** Remove the shelf and re-position the plastic clips, ensuring they are all at the exact same height on each pole.
- **Check Floor Level:** Use a level to check the floor surface and adjust the leveling feet accordingly.

### Difficulty Assembling Poles/Shelves:

- **Review Instructions:** Double-check the assembly instructions, especially for pole connections and clip placement.
- **Ensure Proper Orientation:** Make sure poles and shelves are oriented correctly as shown in the diagrams.
- **Gentle Force:** Apply gentle, even pressure when seating shelves onto clips. Avoid excessive force.

## 6. SPECIFICATIONS

---

Feature	Detail
Model Name	Storage Shelves
Item Model Number	RBBT5L
Brand	REIBII
Product Dimensions	15.8"D x 61.7"W x 72.4"H
Number of Shelves	5
Weight Capacity (Per Shelf)	300 lbs
Weight Capacity (Total)	1500 lbs
Material	Metal
Finish Type	Powder Coated
Color	Black
Assembly Required	Yes (Tool-free)
Product Care Instructions	Wipe with Dry Cloth
Item Weight	90 pounds

**Perfect for your pantry**



Image 5.1: Detailed dimensions of the REIBII 5-Tier Metal Wire Shelving Unit.



Image 5.2: Visual confirmation of the 1500 lbs total weight capacity of the wire shelving unit.

## 7. IMPORTANT SAFETY INFORMATION

---

- Do not exceed the weight limit of 300 lbs per shelf or 1500 lbs total.
- Ensure the unit is properly balanced and stable before use.
- Keep the unit away from heat sources.
- Do not use the unit as a ladder or step stool.
- Always place heavier items on lower shelves for increased stability.

## 8. WARRANTY AND SUPPORT

---

For customer support or inquiries regarding your REIBII Metal Wire Shelves, please contact REIBII-Direct through the platform where the product was purchased. REIBII is committed to providing high-quality products and considerate service.

- **Returns:** 30-day easy returns policy.
- **Protection Plans:** Optional 2-Year and 3-Year Protection Plans may be available for purchase.

© 2024 REIBII. All rights reserved.