

[Manuals.plus](#) /

> [Loomie](#) /

> Loomie 70.8 Inch Dining Table Instruction Manual

Loomie Y-A1

Loomie 70.8 Inch Dining Table Instruction Manual

Model: Y-A1

Brand: Loomie

IMPORTANT SAFETY INFORMATION

Always secure the table to the wall to prevent tip-over. Do not place hot items directly on the tabletop. Follow the assembly instructions carefully to ensure safe use.

PRODUCT OVERVIEW

This manual provides instructions for the assembly, use, and maintenance of your Loomie 70.8 Inch Dining Table. This large rectangular dining table, with its vintage grey finish, is designed to comfortably seat 6-8 people. Its versatile design makes it suitable for various settings including dining rooms, kitchens, living rooms, home offices, and apartments.

Key Features

- **Spacious Design:** 70.8" L x 31.4" W x 29.5" H, accommodating 6-8 people.
- **Durable Construction:** Made from high-quality thickened E1 chipboard and steel.
- **Easy to Clean:** Smooth, uniform surface for simple maintenance.
- **Versatile Use:** Suitable for dining, kitchen, living room, computer desk, or conference table.



An image showing the assembled Loomie 70.8 Inch Dining Table in Vintage Grey, highlighting its spacious rectangular design.

SETUP AND ASSEMBLY

This section guides you through the assembly process of your dining table. It is recommended to have two people for assembly.

Before You Begin

- Unpack all components and verify against the parts list (refer to included instructions for detailed list).
- Ensure you have the provided Allen wrench and any other necessary tools.
- Assemble on a soft, clean surface to prevent scratches.

Assembly Steps

1. Attach the support brackets to the table legs using the provided screws.
2. Secure the table legs to the tabletop.
3. Tighten all screws firmly but do not overtighten.

4. Adjust the adjustable feet on the table legs to ensure stability on uneven surfaces.

For a visual guide, please refer to the official installation video below.

Your browser does not support the video tag.

This video demonstrates the step-by-step assembly process for the Loomie 70.8 Inch Dining Table, showing how to attach legs and secure the tabletop.

OPERATING INSTRUCTIONS

Your Loomie dining table is designed for versatile use.

Seating Capacity

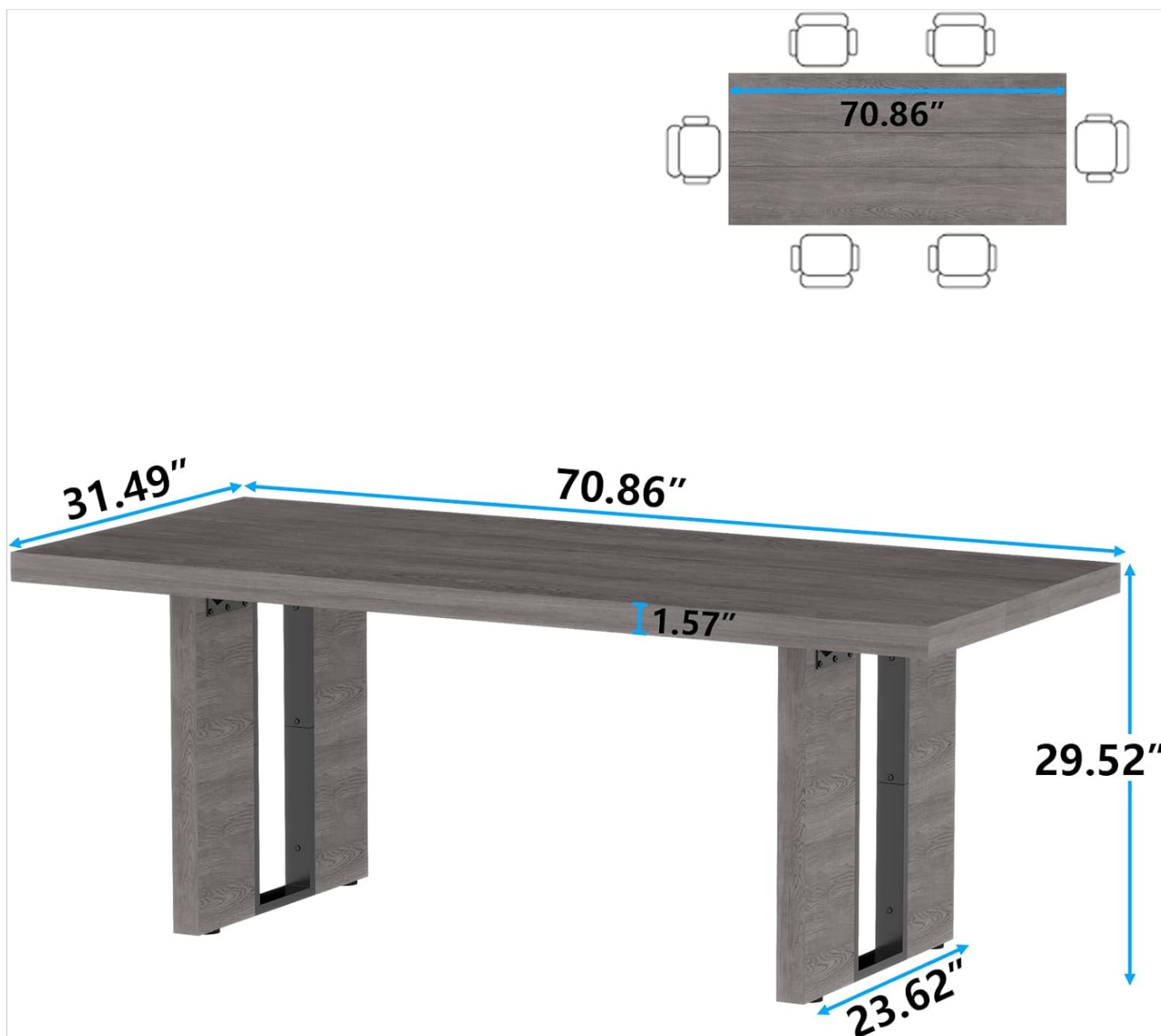
The table comfortably seats 6-8 people, making it ideal for family meals or gatherings.

Placement

Position the table in your desired dining area, kitchen, living room, or office. Ensure it is placed on a level surface.

Stability

Utilize the adjustable feet on the table legs to compensate for uneven floors and ensure maximum stability.



An image illustrating the dimensions of the Loomie 70.8 Inch Dining Table, showing length, width, and height measurements.

MAINTENANCE AND CARE

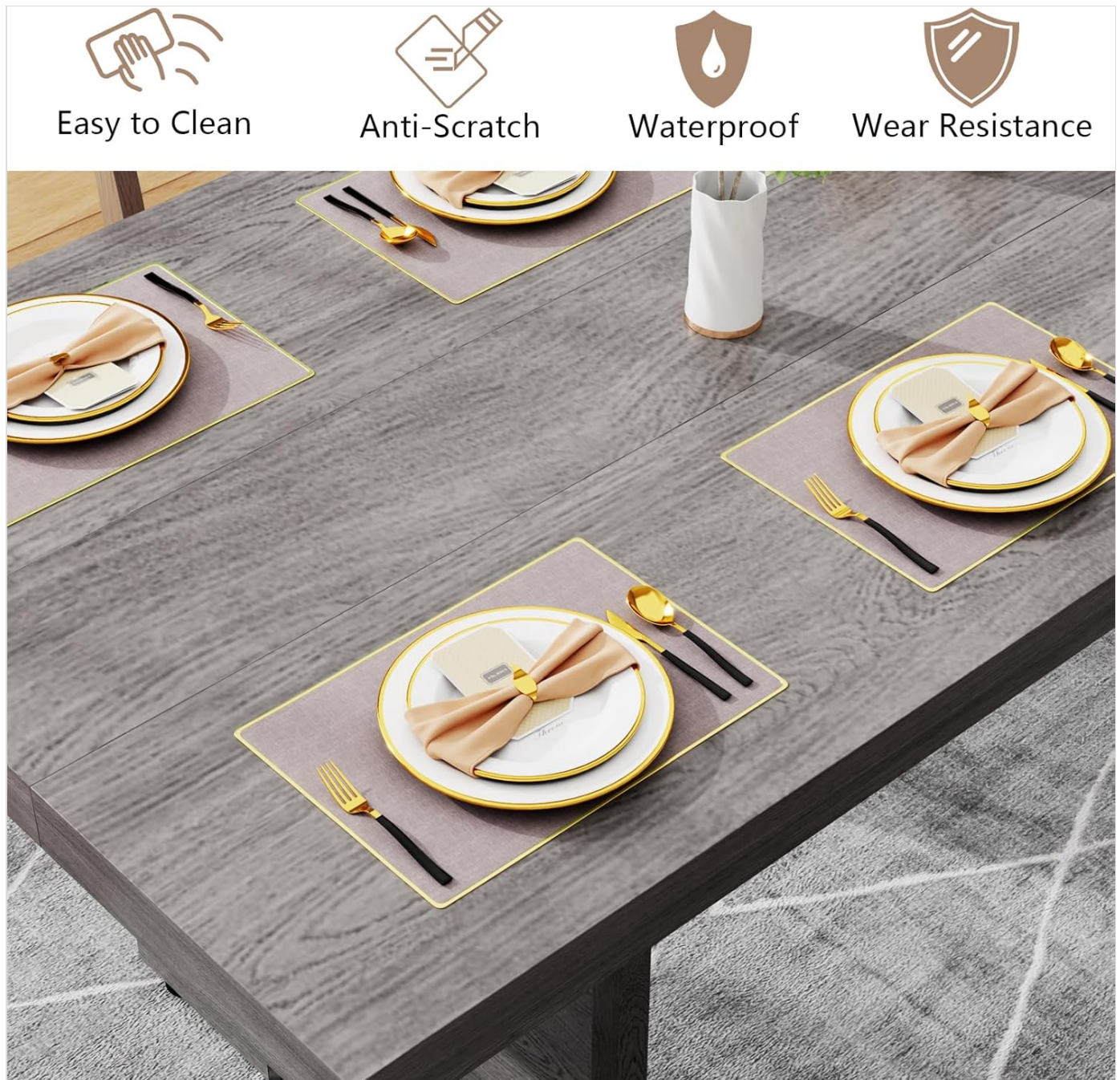
Proper care will ensure the longevity and appearance of your dining table.

Cleaning

Wipe the table surface with a dry cloth. Avoid abrasive cleaners or harsh chemicals that may damage the finish.

Protection

- Do not place hot items directly on the tabletop. Use coasters or placemats.
- Avoid prolonged exposure to direct sunlight or extreme humidity.
- Promptly clean up spills to prevent staining.



An image highlighting the easy-to-clean, anti-scratch, waterproof, and wear-resistant properties of the Loomie dining table surface.

TROUBLESHOOTING

Table Wobbles

- Check that all screws are securely tightened.
- Adjust the leveling feet on the bottom of each leg to stabilize the table on uneven floors.

Scratches or Minor Damage

- For minor scratches, a furniture repair marker matching the vintage grey finish may be used.
- Avoid dragging heavy objects across the tabletop.

Difficulty Assembling

- Re-read the assembly instructions carefully.
- Ensure all parts are correctly oriented as shown in the diagrams.
- If issues persist, contact customer support.

SPECIFICATIONS

Feature	Detail
Model Number	Y-A1
Dimensions (L x W x H)	70.86 x 31.49 x 29.52 inches
Color	Vintage Grey
Material	Chipboard, Steel
Item Weight	87.1 Pounds
Seating Capacity	6-8 People
Assembly Required	Yes
Care Instructions	Wipe with Dry Cloth

WARRANTY INFORMATION

Loomie provides a standard manufacturer's warranty for this product. Please refer to the warranty card included in your packaging for specific terms, conditions, and duration. Keep your purchase receipt for warranty claims.

CUSTOMER SUPPORT

For any questions, missing parts, or assistance with your Loomie 70.8 Inch Dining Table, please contact our customer service team.

- Email: [Refer to product packaging or official website for email address]
- Phone: [Refer to product packaging or official website for phone number]
- Online Support: Visit the [Loomie Store on Amazon](#).

