

Hothope IM-S1-U

Hothope Commercial Ice Maker Machine IM-S1-U User Manual

Model: IM-S1-U

1. INTRODUCTION

Thank you for choosing the Hothope Commercial Ice Maker Machine. This manual provides essential information for the safe and efficient operation, installation, and maintenance of your ice maker. Please read this manual thoroughly before using the appliance and retain it for future reference.

This ice maker is designed for commercial and home use, capable of producing up to 110 pounds of clear ice per 24 hours with a 30-pound storage capacity. It features dual water inlet modes and an intelligent control panel for ease of use.

2. SAFETY INSTRUCTIONS

To prevent injury to users or damage to the appliance, please observe the following safety precautions:

- Ensure the power supply matches the voltage specified on the appliance's rating label.
- Do not operate the ice maker with a damaged power cord or plug. Contact qualified service personnel for repairs.
- Place the appliance on a stable, level surface away from direct sunlight, heat sources, and corrosive gases.
- Maintain adequate ventilation around the unit. Do not block air vents.
- Do not immerse the appliance, cord, or plug in water or other liquids.
- Unplug the ice maker before cleaning, maintenance, or if it will not be used for an extended period.
- This appliance is not intended for use by persons (including children) with reduced physical, sensory, or mental capabilities, or lack of experience and knowledge, unless they have been given supervision or instruction concerning use of the appliance by a person responsible for their safety.
- Use only potable water for ice production.
- Do not store explosive substances such as aerosol cans with a flammable propellant in this appliance.

3. PACKAGE CONTENTS

Upon unpacking, please verify that all items listed below are present and undamaged:

- Hothope Commercial Ice Maker Machine (Model IM-S1-U)
- Ice Scoop
- Water Inlet Pipe
- Drainage Pipe
- Water Filter
- Small Accessories (connectors, clamps)
- Instruction Manual



Image: Included accessories for the Hothope Commercial Ice Maker Machine.

4. PRODUCT OVERVIEW

The Hothope Commercial Ice Maker Machine is designed for high-efficiency ice production with user-friendly features.

Key Features:

- **High-Efficiency Ice Production:** Produces 36 clear ice cubes in 10-15 minutes, with a daily capacity of 110 lbs.
- **Large Storage Capacity:** Integrated 30 lbs ice storage bin.
- **Dual Water Inlet Modes:** Supports direct tap water connection with a built-in filter or bottled water supply.
- **Intelligent LCD Control Panel:** Allows adjustment of ice thickness, setting timers, and activating self-cleaning/defrosting functions.
- **Quiet & Efficient Compressor:** Features a CFC-free compressor for low noise, rapid cooling, and reduced power consumption.
- **Durable Construction:** Heavy-duty stainless steel housing with a food-grade PP liner and 20% thicker insulation for extended ice preservation.
- **Disinfection Blue Light:** Internal blue light for enhanced hygiene.



Image: Hothope Commercial Ice Maker Machine in operation, showing both water supply options.

8-15MINS FAST ICE MAKING

Rapid Ice-Making

30LBS

235W Powerful Compressor

Rapid Cooling System

110LBS/24H Produce

30LBS Storage Bin

36PCS Ice Cubes/Cycle

Image: Performance features of the Hothope Ice Maker, including production rate and storage capacity.

PRODUCT SPECIFICATION



Image: Intelligent control panel and internal material layers of the ice maker.

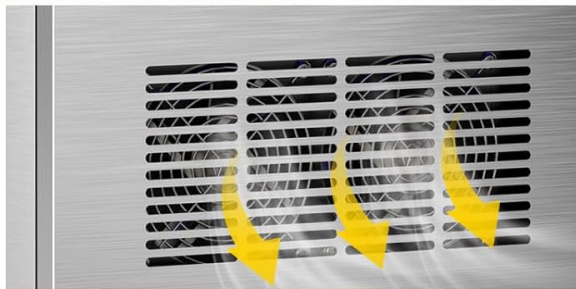
ICE MAKER DETAILS



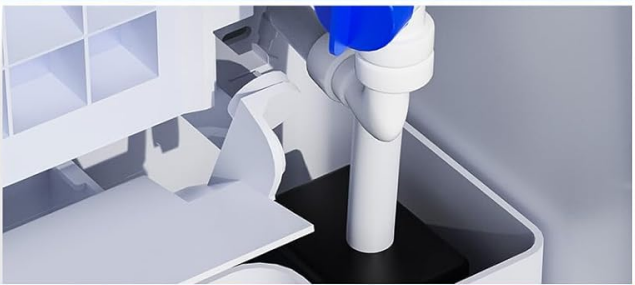
Curved Filp Design



Disinfection Blue Light



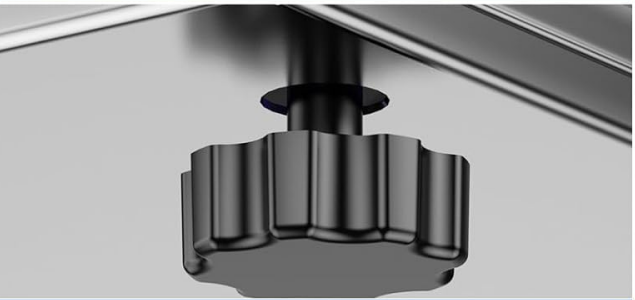
Fast Cooling Fan



Commercial Water Pump



360° Auto Cleaning



Adjustable Non-Slip Feet

Image: Key design and functional details of the ice maker.

5. SETUP

5.1 Placement

- Place the ice maker on a firm, level surface capable of supporting its weight when full of ice and water.
- Ensure there is at least 6 inches (15 cm) of clearance around the back and sides for proper ventilation.
- Avoid placing the unit near heat sources or in direct sunlight.
- Adjust the non-slip feet to ensure the unit is stable and level.

5.2 Water Connection

The Hothope ice maker supports two water inlet modes:

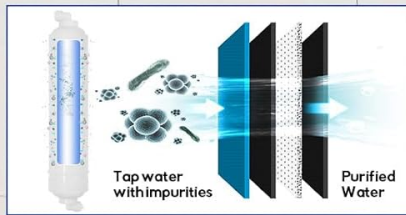
- **Bottled Water Supply:** Place a standard 3 or 5-gallon water bottle on the top dispenser. Ensure the bottle is securely seated.

- **Tap Water Supply:** Connect the provided water inlet pipe to a potable water source. Use the included water filter for purified water. Connect the drainage pipe to an appropriate drain.



Image: Illustration of bottled water and tap water connection options.

EASY CONNECT & EFFECTIVE FILTER



Make the ice cubes crystal clear and harder, cloudless, and chewable.

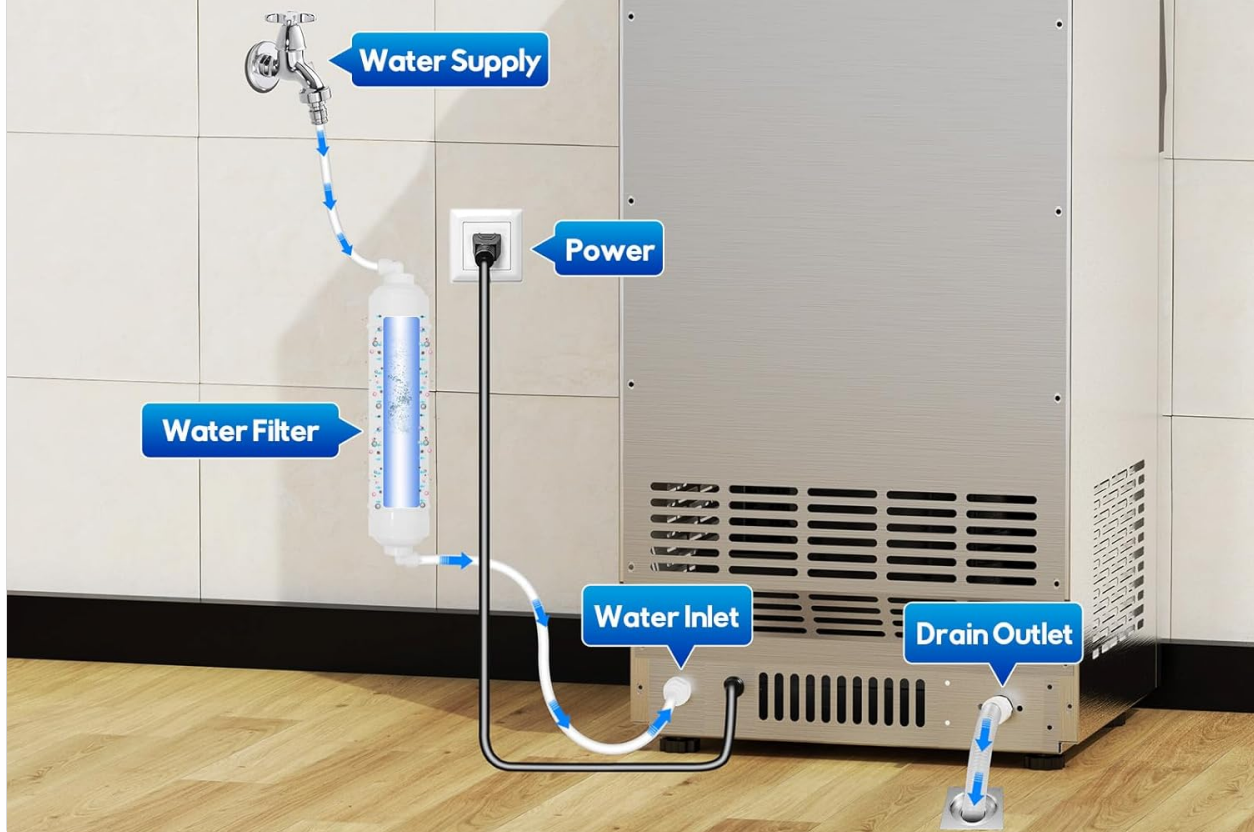


Image: Detailed view of the water and power connections at the back of the ice maker.

5.3 Initial Cleaning

Before first use, it is recommended to clean the internal components. Refer to the 'Maintenance and Cleaning' section for detailed instructions on using the self-cleaning function.

6. OPERATING INSTRUCTIONS

6.1 Power On/Off

- Plug the power cord into a grounded electrical outlet.
- Press the 'ON/OFF' button on the control panel to turn the unit on or off.

6.2 Ice Making

- Once powered on, the machine will automatically begin the ice-making cycle if water is detected.
- **Adjusting Ice Thickness:** Use the '+' and '-' buttons on the control panel to select desired ice cube

thickness (Thin, Medium, Thick). This affects the ice-making cycle time (5-8 minutes for thin, 9-12 minutes for medium, 12-15 minutes for thick).

- The LCD display will show the current status (e.g., 'ice making', 'ice full', 'add water').



Image: Adjustable ice cube thickness settings and suggested applications.

6.3 Timer Function

- The ice maker features a 24-hour reservation timing function.
- Press the 'Reservation' button and use '+' and '-' to set the desired time for the machine to start or stop.

7. MAINTENANCE AND CLEANING

Regular cleaning and maintenance ensure optimal performance and longevity of your ice maker.

7.1 Self-Cleaning Function

- Ensure the drainage pipe is properly connected to a drain.

- Long press the 'CLEAN' button for 3 seconds to activate the 360-degree auto-cleaning cycle.
- The machine will circulate water and drain it, cleaning internal components.
- It is recommended to run the self-cleaning cycle regularly, especially if the machine has been idle or if you notice a change in ice quality.



Image: Activating the 360-degree auto-cleaning function.

7.2 Manual Cleaning

- Unplug the appliance before any manual cleaning.
- Clean the exterior with a soft cloth and mild detergent. Avoid abrasive cleaners.
- Periodically clean the ice storage bin and water reservoir with a solution of water and vinegar or a mild food-grade sanitizer. Rinse thoroughly.
- Ensure the water filter is replaced or cleaned according to its manufacturer's recommendations to maintain water quality.
- Clean the air vents on the sides and back of the unit to ensure proper airflow and prevent overheating.

8. TROUBLESHOOTING

If you encounter issues with your ice maker, refer to the table below for common problems and solutions.

Problem	Possible Cause	Solution
Ice maker does not turn on	No power supply	Check power cord connection and wall outlet. Ensure the 'ON/OFF' button is pressed.
'Add Water' indicator is on	Water reservoir is empty or water supply is interrupted	Refill bottled water or check tap water connection and filter.
'Ice Full' indicator is on	Ice storage bin is full	Remove ice from the storage bin.
Ice production is slow or ice cubes are small	Ambient temperature too high; poor ventilation; water temperature too high; ice thickness setting too low	Ensure proper ventilation. Use colder water. Adjust ice thickness setting to 'Medium' or 'Thick'.
Unusual noise during operation	Unit not level; loose components; fan obstruction	Ensure the unit is level. Check for any obstructions in the fan area. If noise persists, contact support.

Problem	Possible Cause	Solution
Water leakage	Loose connections; clogged drain pipe	Check all water inlet and drainage pipe connections. Clear any blockages in the drain pipe.

9. SPECIFICATIONS

Feature	Specification
Brand	Hothope
Model Name	IM-S1-U
ASIN	B0DXQ6Z7TJ
Product Dimensions (D x W x H)	13.78" x 13.19" x 28.15" (35cm x 33.5cm x 71.5cm)
Weight	45.6 Pounds
Ice Production Capacity	110 Lbs / 24 Hours
Ice Storage Capacity	30 Lbs
Ice Cube Cycle	36 Pcs in 10-15 Mins
Wattage	235 Watts
Water Inlet Modes	Tap Water, Bottled Water

10. WARRANTY AND SUPPORT

Hothope products are manufactured to high-quality standards. For warranty information, technical support, or service inquiries, please refer to the warranty card included with your product or contact Hothope customer service directly. Please have your model number (IM-S1-U) and purchase date available when contacting support.

You can visit the official Hothope store for more information: [Hothope Store on Amazon](#)