



[Manuals.plus](#) /

> [Aoodor](#) /

> Aoodor 12'x 8'x 5' Retractable Window Awning Sunshade Shelter Instruction Manual

Aoodor A049

Aoodor 12'x 8'x 5' Retractable Window Awning Sunshade Shelter Instruction Manual

Model: A049

1. INTRODUCTION

Thank you for choosing the Aoodor 12'x 8'x 5' Retractable Window Awning Sunshade Shelter. This manual provides essential information for the safe and efficient installation, operation, and maintenance of your awning. Please read these instructions thoroughly before assembly and retain them for future reference.



Image 1.1: The Aoodor Retractable Awning providing shade for an outdoor patio area.

2. SAFETY INSTRUCTIONS

- **Read All Instructions:** Before installation and use, carefully read and understand all instructions provided in this manual.
- **Professional Installation Recommended:** If you are unsure about any part of the installation process, consult a qualified professional.
- **Secure Mounting:** Ensure the awning is securely mounted to a solid structure (e.g., wall studs, solid brick, or concrete) capable of supporting its weight and wind loads. Do not install on hollow walls or unstable surfaces.
- **Check for Obstructions:** Before extending or retracting the awning, ensure there are no obstructions in its path.
- **Weather Conditions:** Retract the awning during strong winds, heavy rain, or snowfall to prevent damage to the awning and property.
- **Children and Pets:** Keep children and pets away from the awning during operation to prevent accidents.
- **Regular Inspection:** Periodically inspect all components, including fabric, frame, and mounting hardware, for wear, damage, or loose connections.

- **Use Original Parts:** Only use original or manufacturer-approved replacement parts.
- **Avoid Climbing:** Do not hang from or climb on the awning frame.

3. PACKAGE CONTENTS

Verify that all components are present and undamaged before beginning assembly. If any parts are missing or damaged, contact customer support.

- Awning Fabric (Polyester)
- Main Frame Assembly (including front bar and roller tube)
- Retractable Arms (2 units)
- Wall Mount Brackets (3 units)
- Crank Handle
- Installation Hardware (bolts, anchors for masonry/concrete)
- Instruction Manual



Polyester Fabric



UV Protection



Waterproof



Anti-fade

Image 3.1: Detail of the retractable arms, which contribute to the awning's structural integrity.



Image 3.2: The three sturdy wall bases for secure mounting.

4. SETUP & INSTALLATION

Proper installation is critical for the safety and performance of your awning. Follow these steps carefully. Two people are recommended for installation.

4.1. Choose Installation Location

- Select a wall location that is structurally sound and can support the awning's weight and forces from wind. Recommended installation height is 8-13 feet.
- Ensure there is sufficient clearance for the awning to extend and retract without obstruction.
- The mounting surface must be solid brick, concrete, or wall studs. The provided hardware is primarily for masonry installation. If mounting to wood studs, ensure the bolts penetrate deeply into the studs.



Image 4.1: Awning size and recommended installation height, with a note on drilling depth for solid masonry.

4.2. Mount Wall Brackets

1. Position the first wall bracket at the desired height. Mark the drilling points.
2. Drill pilot holes. For masonry, drill 9 cm (approximately 4 inches) deep. Insert appropriate anchors if necessary.
3. Secure the first bracket using only the top bolt initially. This allows for adjustment.
4. Insert the square tube of the awning frame into the first bracket.
5. With the awning frame temporarily supported by the first bracket, pivot the entire assembly to ensure it is level. Use a spirit level.
6. Mark the drilling points for the remaining brackets, ensuring they are aligned and level with the first.
7. Remove the awning frame. Drill and secure the remaining wall brackets completely.
8. Finally, fully secure the first bracket with all bolts.

4.3. Attach Awning Frame to Brackets

- Carefully lift the awning frame assembly and slide the square tube into all three mounted wall brackets.
- Secure the frame to the brackets using the provided fasteners, ensuring a tight and stable connection.

4.4. Final Checks

- Double-check all bolts and connections to ensure they are tight and secure.
- Test the retraction and extension mechanism using the crank handle.

5. OPERATING INSTRUCTIONS

5.1. Extending the Awning

- Attach the crank handle to the designated loop on the left adjustable bracket.
- Turn the crank handle clockwise to extend the awning.
- Extend the awning to your desired projection. Do not force the awning beyond its maximum extension.

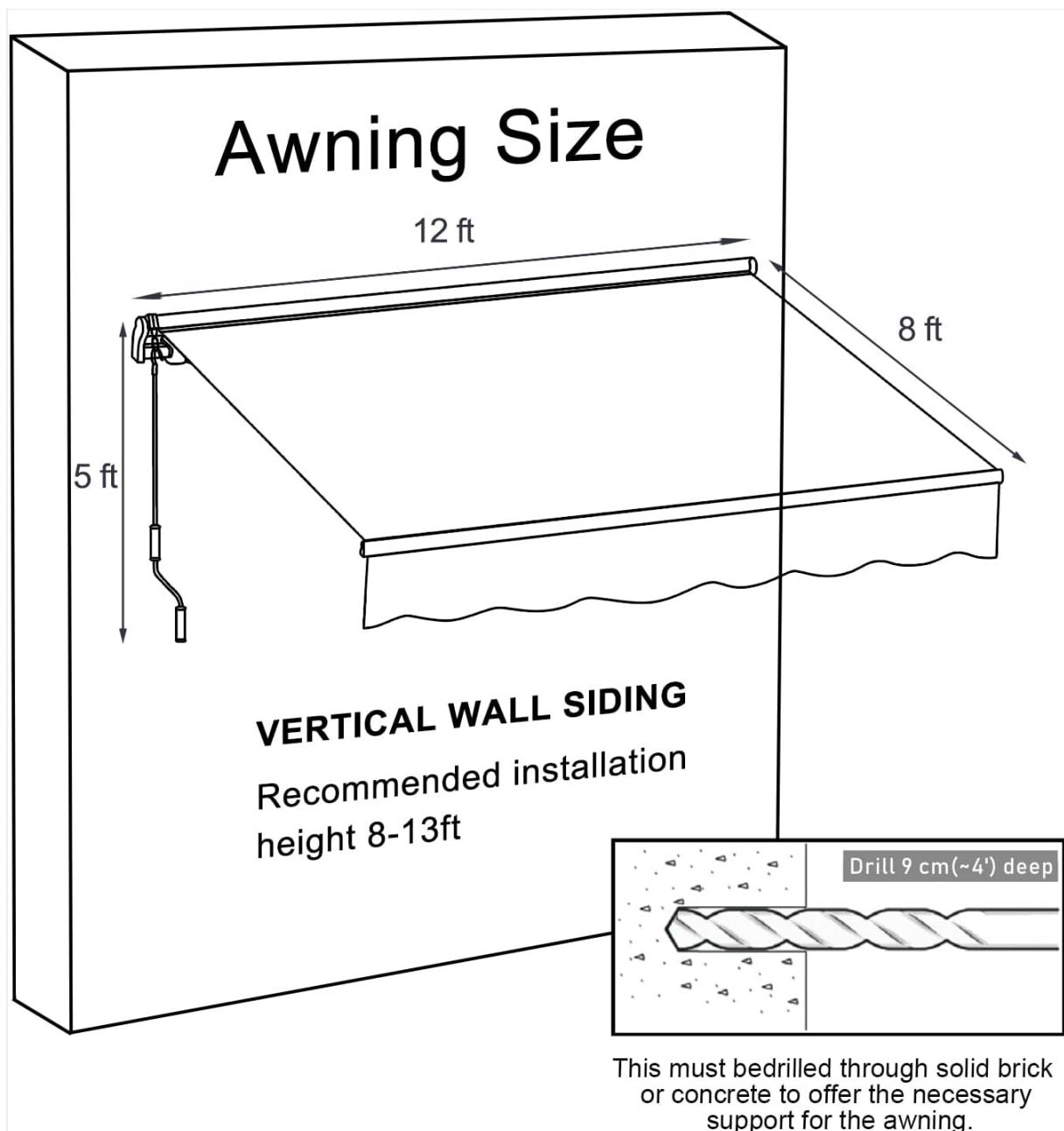


Image 5.1: The retractable design allows for quick extension and retraction.

5.2. Retracting the Awning

- Attach the crank handle to the designated loop.
- Turn the crank handle counter-clockwise to retract the awning.
- Ensure the awning is fully retracted when not in use or during adverse weather conditions.

5.3. Adjusting the Angle

- The awning features an adjustable angle mechanism, typically ranging from 45° to 85°.
- Refer to the specific adjustment points on the arms or brackets to modify the pitch. This usually involves loosening and tightening bolts at the pivot points.
- Adjust the angle to optimize shade coverage or to allow for water runoff.



Three Sturdy Wall Bases

Image 5.2: The awning's angle can be adjusted between 45 and 85 degrees.

6. MAINTENANCE

- **Cleaning the Fabric:** Clean the polyester fabric with mild soap and water. Use a soft brush or sponge. Rinse thoroughly and allow to air dry completely before retracting. Do not use harsh chemicals or abrasive cleaners.
- **Frame Cleaning:** Wipe the aluminum frame with a damp cloth.
- **Lubrication:** Periodically apply a silicone-based lubricant to moving parts of the retractable arms and mechanism to ensure smooth operation.

- **Hardware Check:** Regularly inspect all mounting hardware, bolts, and screws for tightness. Tighten any loose connections.
- **Winter Storage:** In areas with heavy snow or ice, it is recommended to fully retract the awning during winter months to prevent damage.

RETRACTABLE DESIGN

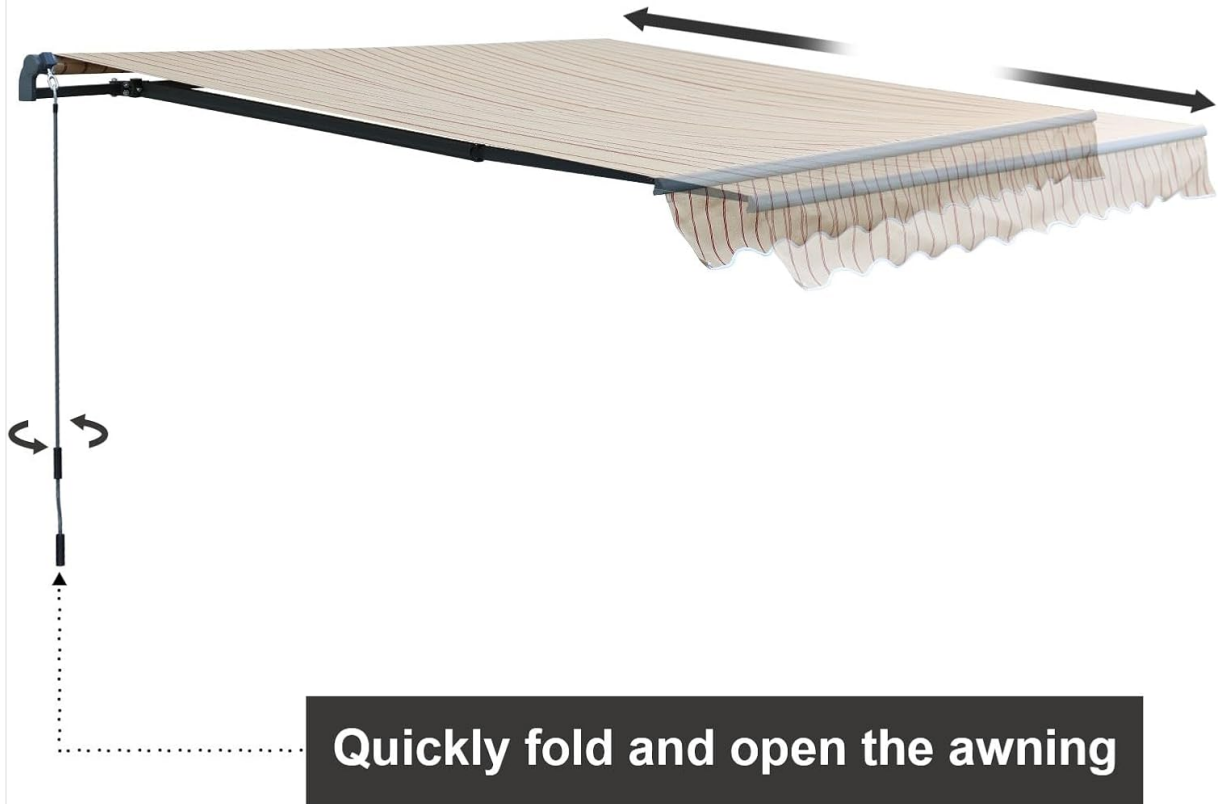


Image 6.1: The durable polyester fabric is designed for UV protection, water resistance, and anti-fade performance.

7. TROUBLESHOOTING

Problem	Possible Cause	Solution
Awning does not extend or retract smoothly.	<ul style="list-style-type: none"> ◦ Mechanism is dry or dirty. ◦ Obstruction in the path of the arms or fabric. ◦ Bent or damaged arm. 	<ul style="list-style-type: none"> ◦ Lubricate moving parts with silicone spray. ◦ Inspect for and remove any obstructions. ◦ Inspect arms for damage. Contact support if bent.

Problem	Possible Cause	Solution
Awning sags or is not level.	<ul style="list-style-type: none"> ◦ Mounting brackets are loose. ◦ Wall surface is not strong enough. ◦ Uneven installation. 	<ul style="list-style-type: none"> ◦ Tighten all mounting bolts. ◦ Re-evaluate mounting surface. Reinforce if necessary. ◦ Adjust brackets to ensure level installation.
Fabric is dirty or stained.	<ul style="list-style-type: none"> ◦ Exposure to elements. 	<ul style="list-style-type: none"> ◦ Clean with mild soap and water.

8. SPECIFICATIONS

Model	A049
Brand	Aoodor
Material	Polyester
Color	Brown and Red
Size (Width x Projection x Drop)	12' x 8' x 5'
Product Dimensions (Width)	12' (144 inches)
Operation Mode	Manual (Crank Handle)
Required Assembly	Yes
GTIN / UPC	643556188817

9. WARRANTY & SUPPORT

For warranty information or technical support, please refer to the product packaging or contact Aoodor customer service directly. Keep your purchase receipt as proof of purchase.

Contact Information: Please visit the official Aoodor website or refer to your purchase documentation for the most current contact details.