



Manuals.plus /

› Sensky /

› Sensky 3-in-1 PIR Motion Sensor Switch Instruction Manual (Model SK023W0C00000-5A-S)

Sensky SK023W0C00000-5A-S

Sensky 3-in-1 PIR Motion Sensor Switch

MODEL: SK023W0C00000-5A-S

Instruction Manual

Introduction

This manual provides detailed instructions for the installation, operation, and maintenance of your Sensky 3-in-1 PIR Motion Sensor Switch. This device integrates occupancy, vacancy, and manual ON/OFF modes, offering flexible lighting control. Designed for ease of use and installation, it features a 2-wire connection, eliminating the need for a neutral wire in most standard setups.



Image: The Sensky 3-in-1 PIR Motion Sensor Switch, a white square unit with a motion sensor lens and a large button, shown installed on a wall.

Safety Information

WARNING: Risk of electric shock. Improper installation can lead to serious injury or death. Always turn off power at the circuit breaker before installing or servicing this device. Installation should be performed by a qualified electrician or in accordance with local electrical codes.

- Ensure power is disconnected at the circuit breaker before installation.
- Do not use with loads exceeding the specified maximum wattage.
- This device is designed for indoor use only.
- Keep away from water and moisture.
- Do not attempt to repair or modify the device. Contact customer support for assistance.

Product Overview and Features

The Sensky 3-in-1 PIR Motion Sensor Switch is designed to provide convenient and energy-efficient lighting control.

Its key features include:

- **3-in-1 Technology:** Supports Occupancy, Vacancy, and Manual ON/OFF modes.
- **PIR Motion Detection:** Infrared sensor detects human movement within a range of 6-9 meters and an angle of less than 150 degrees.
- **No Neutral Wire Required:** Compatible with 2-wire electrical systems, simplifying installation.
- **Easy Adjustment:** Time delay, sensitivity, and ambient light settings are adjustable via front buttons, eliminating the need for disassembly.
- **Wide Power Range:** Supports LED/Fluorescent/Ballast loads up to 1000W and Incandescent/Halogen loads up to 2200W.
- **Fireproof PC Material:** Constructed from flame-retardant PC for enhanced safety.



Image: An overview of the motion sensor switch highlighting its features: motion sensor, 7-10m detection range, 15s-30min time delay, 15/25/35 Lux ambient light settings, 3-in-1 modes (Occupancy, Vacancy, ON-OFF), and fire-resistant materials.

Installation

Before beginning installation, ensure you have the necessary tools (screwdriver, wire strippers) and understand basic electrical wiring principles. Always prioritize safety.

1. Turn Off Power

Locate the circuit breaker controlling the light switch you intend to replace. Turn off the power completely to avoid electric shock. Verify power is off using a voltage tester.

2. Remove Existing Switch

Carefully remove the faceplate and mounting screws of the old switch. Disconnect the wires from the old switch, noting which wire was connected to the 'Live' (L) terminal and which to the 'Load' (L1) terminal. If a neutral wire is present, cap it off if not used, or connect it if opting for a 3-wire setup for optimal performance.

3. Prepare the Motion Sensor Switch

The switch cover needs to be removed to access the wiring terminals. Gently pry open the outer frame by hand or with a small tool. Then, press in the tabs on the sides of the central module to remove it from the mounting frame.

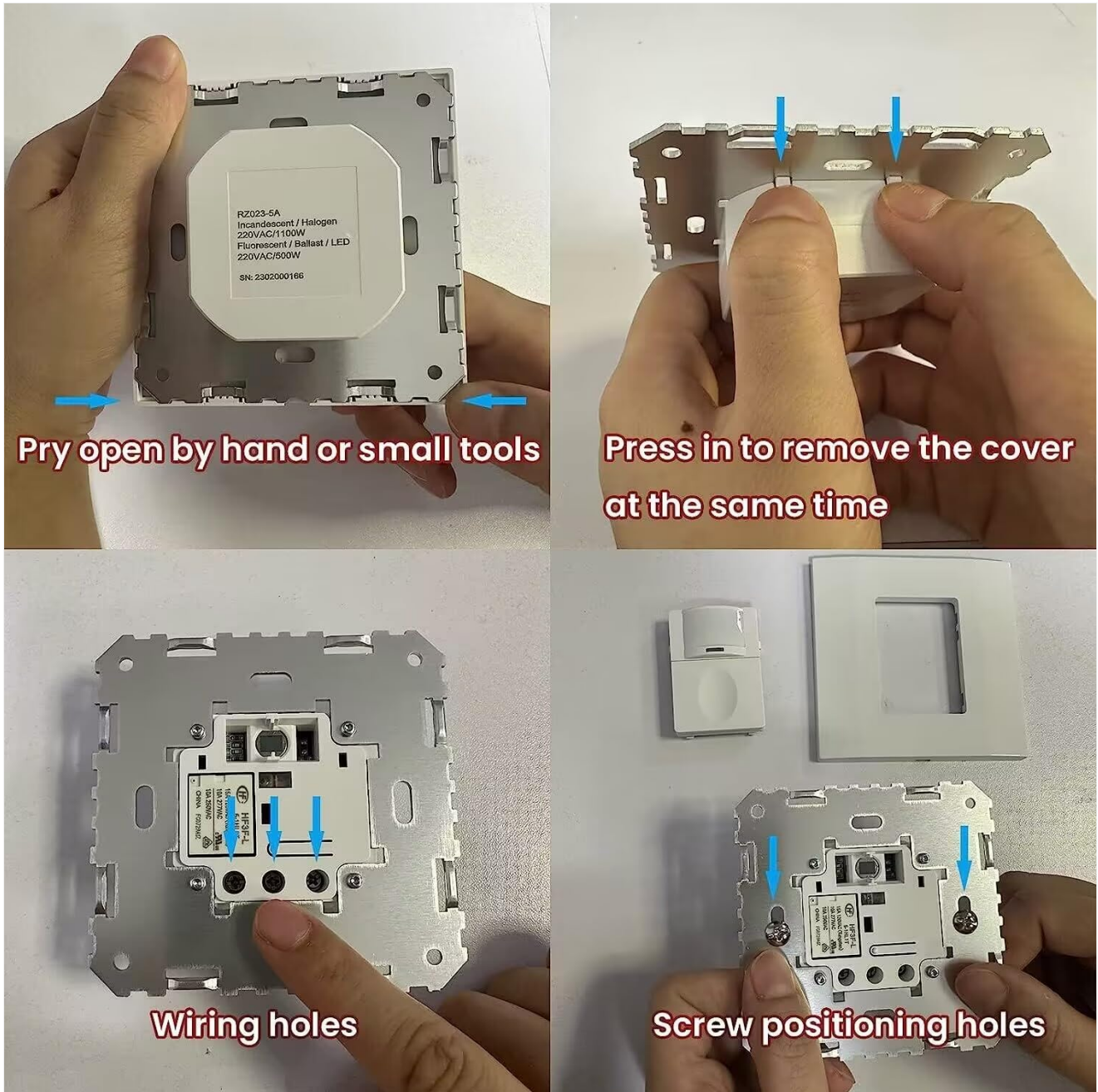


Image: A four-panel image showing how to disassemble the switch: pry open the outer frame, press tabs to remove the central module, locate wiring holes, and screw positioning holes.

4. Wiring

Connect the wires from your wall box to the corresponding terminals on the motion sensor switch. This switch is designed to work without a neutral wire (2-wire setup), directly replacing existing switches.

- Connect the Live wire (incoming power) to the 'L' terminal.
- Connect the Load wire (to the light fixture) to the 'L1' terminal.

For optimal performance, especially with certain load types, a 3-wire connection including a neutral wire can be used if available. In such cases, connect the neutral wire to the 'N' terminal if present on your specific model (though this model primarily supports 2-wire).



Image: A wiring diagram showing the 'L' terminal connecting to the Live wire and the 'L1' terminal connecting to the Load (light fixture). It indicates 'N' for Neutral, but the primary diagram focuses on 2-wire.



Image: A diagram emphasizing that a neutral wire is not required, showing the switch working with only Live and Load wires.

5. Mount the Switch

Carefully push the wired switch module back into the wall box. Secure the mounting frame to the wall box using the provided screws. Reattach the central module and the outer faceplate.

6. Restore Power

Once the installation is complete and all components are securely in place, restore power at the circuit breaker. The switch should now be operational.

Operation

The Sensky 3-in-1 PIR Motion Sensor Switch offers versatile control through its various modes. The default settings are often suitable for most applications, but adjustments can be made as needed.

Buttons Overview:

- **Small Button:** Located above the main button, used for mode selection and fine adjustments.
- **Big Button:** The main button, used for manual ON/OFF and primary adjustments.
- **Working Indicator LED:** A small LED light that indicates the current mode or adjustment status.

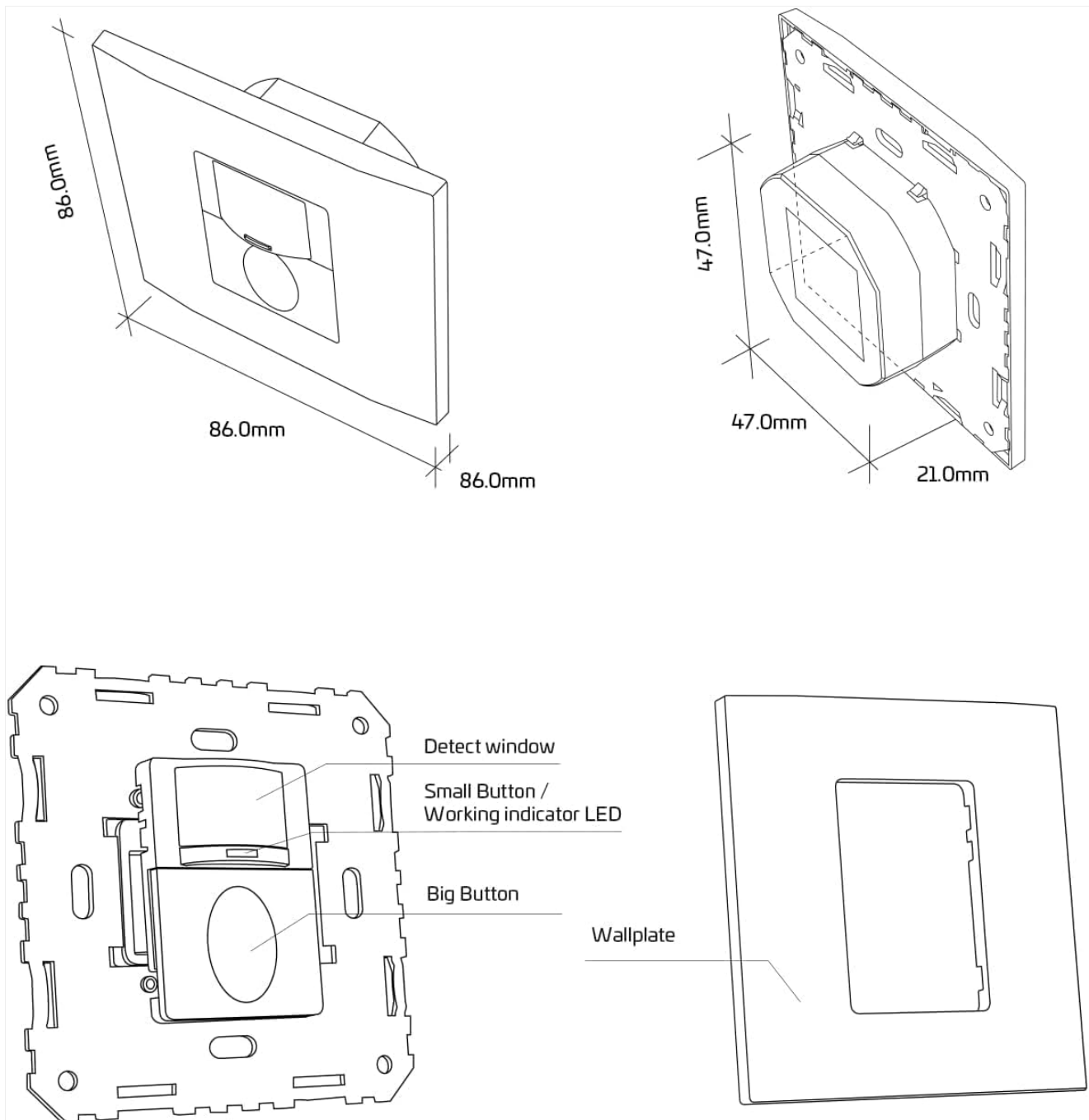


Image: A technical drawing of the switch, labeling the 'Detect window', 'Small Button / Working indicator LED', 'Big Button', and 'Wallplate'.

Operating Modes (3-in-1 Technology)

The switch supports three distinct operating modes:

1. **Occupancy Mode (Auto ON - Auto OFF):**

In this mode, the light automatically turns ON when motion is detected and automatically turns OFF after a set time delay once no motion is detected. This is ideal for high-traffic areas where hands-free operation is desired.

2. **Vacancy Mode (Manual ON - Auto OFF):**

The light must be manually turned ON by pressing the button. It will then automatically turn OFF after a set time delay once no motion is detected. This mode is suitable for areas where you prefer to control when the light comes on, but want it to turn off automatically.

3. **ON/OFF Mode (Manual ON/OFF):**

Functions as a standard light switch. The light is manually turned ON and OFF by pressing the button. Motion detection is disabled in this mode, providing full manual control.

3 MODES: OCC&VAC&ON/OFF



① Automatically turn light on



② Automatically turn light off after time-delay

01 OCCUPANCY MODE



① Manually turns lights on

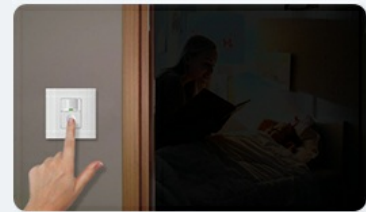


② Automatically turns light off after time-delay

02 VACANCY MODE



① Manual ON



② Manual OFF

03 ON-OFF MODE

Image: A visual guide explaining the three modes: Occupancy (lights turn on and off automatically with motion), Vacancy (lights turn on manually, off automatically with no motion), and ON-OFF (lights turn on and off manually).

How to Adjust VAC and OCC Modes:

Press the **small button** and hold for more than 4 seconds. The red indicator will flash to show the current mode:

- **1 Flash:** Vacancy mode
- **2 Flashes:** Occupancy mode
- **3 Flashes:** Occupancy mode without light sensor mode (motion detection active regardless of ambient light)

How to Enter Manual ON/OFF Mode:

- **Short press the small button:** The switch will enter ON/OFF mode, allowing manual control.
- **Short press the big button:** Can turn ON/OFF the load temporarily. When the time delay expires, the sensor will return to the last operating mode.

Adjustment (Sensitivity, Time-Delay, Light Sensor)

The Sensky motion sensor switch allows for easy adjustment of its operational parameters directly from the front panel, without needing to open the device.

ADJUSTMENT



How to adjust the VAC and OCC modes?

Press the **small button** and hold for more than 4 seconds can change the mode: the red indicator will flash:

- Flash 1 time: Vacancy mode
- Flash 2 times: Occupancy mode
- Flash 3 times: Occupancy mode without light sensor mode



How to enter manually ON/OFF mode?

- Short press the **small button** can turn on/off the light. The switch will enter into ON/OFF mode
- Short press the **big button** can turn on/off the load temporarily, when the time delay expires, the sensor will turn to the last operating mode



How to adjust 1. Sensitivity 2. Light sensor 3. Restore to factory settings ?

Press the **big button** and **small button** at the same time, can change the sensitive, light sensor value, and restore to factory settings, the red and green indicator will flash at the same time.

- Flash for 1 time --- Low sensitive
- Flash for 2 times --- High sensitive
- Flash for 3 times --- Light sensor value 15Lux
- Flash for 4 times --- Light sensor value 25Lux
- Flash for 5 times --- Light sensor value 35Lux
- Flash for 6 times --- Restore to factory settings



How to adjust the time-delay?

Press the **big button** and hold for more than 4 seconds, can change the time-delay, the red indicator will flash:

- Flash 1 time --- 15seconds
- Flash 2 times --- 1min
- Flash 3 times --- 3mins
- Flash 4 times --- 5mins
- Flash 5 times --- 15mins
- Flash 6 times --- 30mins

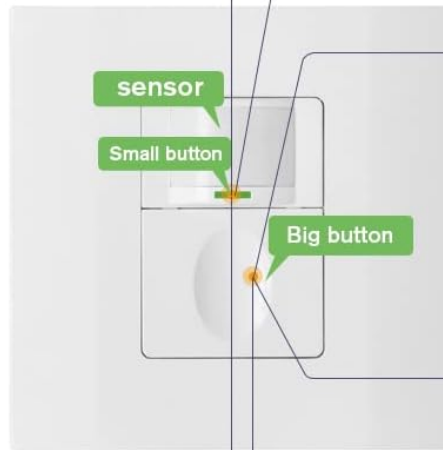


Image: A hand pressing the button on the Sensky motion sensor switch, illustrating the ease of adjustment compared to other models requiring tools.

How to Adjust Time-Delay:

Press the **big button** and hold for more than 4 seconds. The red indicator will flash to show the current time-delay setting:

- **1 Flash:** 15 seconds
- **2 Flashes:** 1 minute
- **3 Flashes:** 3 minutes
- **4 Flashes:** 5 minutes
- **5 Flashes:** 15 minutes
- **6 Flashes:** 30 minutes

How to Adjust Sensitivity, Light Sensor, and Restore Factory Settings:

Press the **big button** and **small button** simultaneously. The red and green indicators will flash at the same time to indicate the setting:

- **1 Flash:** Low sensitivity
- **2 Flashes:** High sensitivity
- **3 Flashes:** Light sensor value 15 Lux
- **4 Flashes:** Light sensor value 25 Lux
- **5 Flashes:** Light sensor value 35 Lux
- **6 Flashes:** Restore to factory settings



Press simultaneously to remove the pincel cover

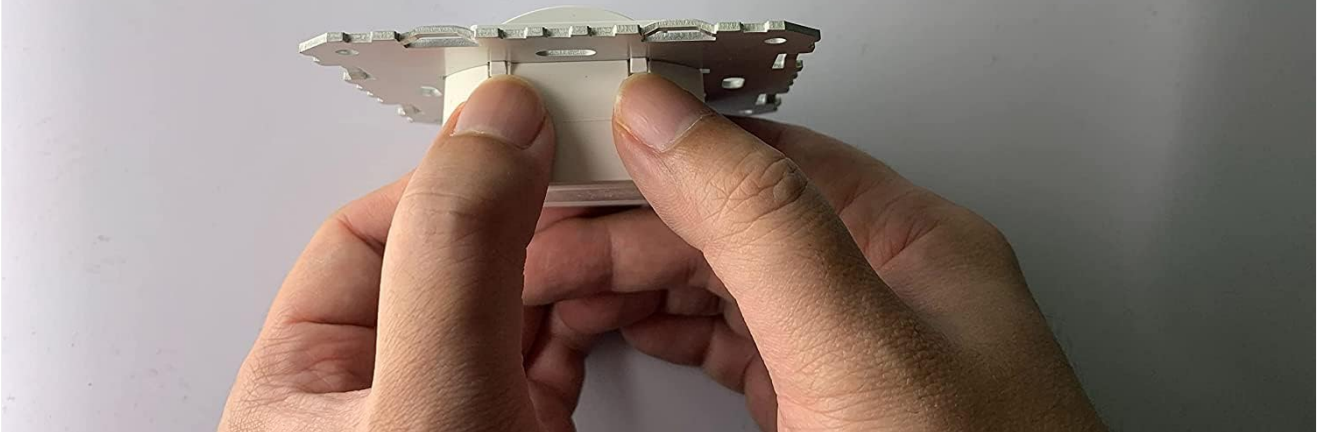


Image: A detailed diagram illustrating the button presses and corresponding LED flashes for adjusting vacancy/occupancy modes, time delay, sensitivity, light sensor values, and restoring factory settings.

Maintenance

The Sensky motion sensor switch requires minimal maintenance to ensure long-term performance.

- **Cleaning:** Wipe the surface with a soft, dry cloth. Do not use abrasive cleaners, solvents, or excessive moisture, as this can damage the device.
- **Inspection:** Periodically check for any visible damage or loose connections. If any issues are found, turn off power at the circuit breaker and consult a qualified electrician.

- **Environment:** Ensure the switch is not exposed to extreme temperatures, direct sunlight for prolonged periods, or high humidity, which can affect sensor performance.

Troubleshooting

If you encounter issues with your Sensky motion sensor switch, refer to the following common problems and solutions:

Problem	Possible Cause	Solution
Light does not turn ON with motion.	<ol style="list-style-type: none"> 1. Power is off. 2. Incorrect wiring. 3. Light sensor setting too high (if in Occupancy mode). 4. Motion sensor blocked or range too far. 5. Incorrect mode selected. 	<ol style="list-style-type: none"> 1. Check circuit breaker. 2. Verify wiring according to diagram. 3. Adjust light sensor sensitivity (lower Lux value). 4. Clear obstructions, ensure motion is within range. 5. Ensure Occupancy or Vacancy mode is selected.
Light stays ON constantly.	<ol style="list-style-type: none"> 1. Constant motion in detection area. 2. Time delay set too long. 3. Switch is in Manual ON/OFF mode. 4. Faulty unit. 	<ol style="list-style-type: none"> 1. Ensure no continuous motion. Adjust sensor placement. 2. Reduce time delay setting. 3. Switch to Occupancy or Vacancy mode. 4. Contact customer support.
Light turns ON/OFF erratically.	<ol style="list-style-type: none"> 1. Interference from heat sources or air currents. 2. Low sensitivity setting. 3. Loose wiring connection. 	<ol style="list-style-type: none"> 1. Relocate switch away from heat vents, windows, or fans. 2. Increase sensitivity setting. 3. Turn off power and check wiring connections.
Cannot adjust settings.	Incorrect button sequence.	Refer to the 'Adjustment' section for correct button presses and hold times.

If the problem persists after trying these solutions, please contact Sensky customer support.

Specifications

Feature	Detail
Model Number	SK023W0C00000-5A-S
Manufacturer	Sensky
Product Dimensions (L x W x H)	8.6 x 8.6 x 2.1 cm
Weight	110 grams
Power Source	Wired Electric
Wiring Type	2-wire (no neutral required)
Max Load (Fluorescent/Ballast/LED)	1000W
Max Load (Incandescent/Halogen)	2200W
Detection Range	6-9 meters
Detection Angle	Less than 150 degrees
Time Delay Settings	15s, 1min, 3min, 5min, 15min, 30min
Ambient Light Settings	15 Lux, 25 Lux, 35 Lux
Recommended Uses	Home and office monitoring and control, automatic ON/OFF, power management
Batteries Required	No

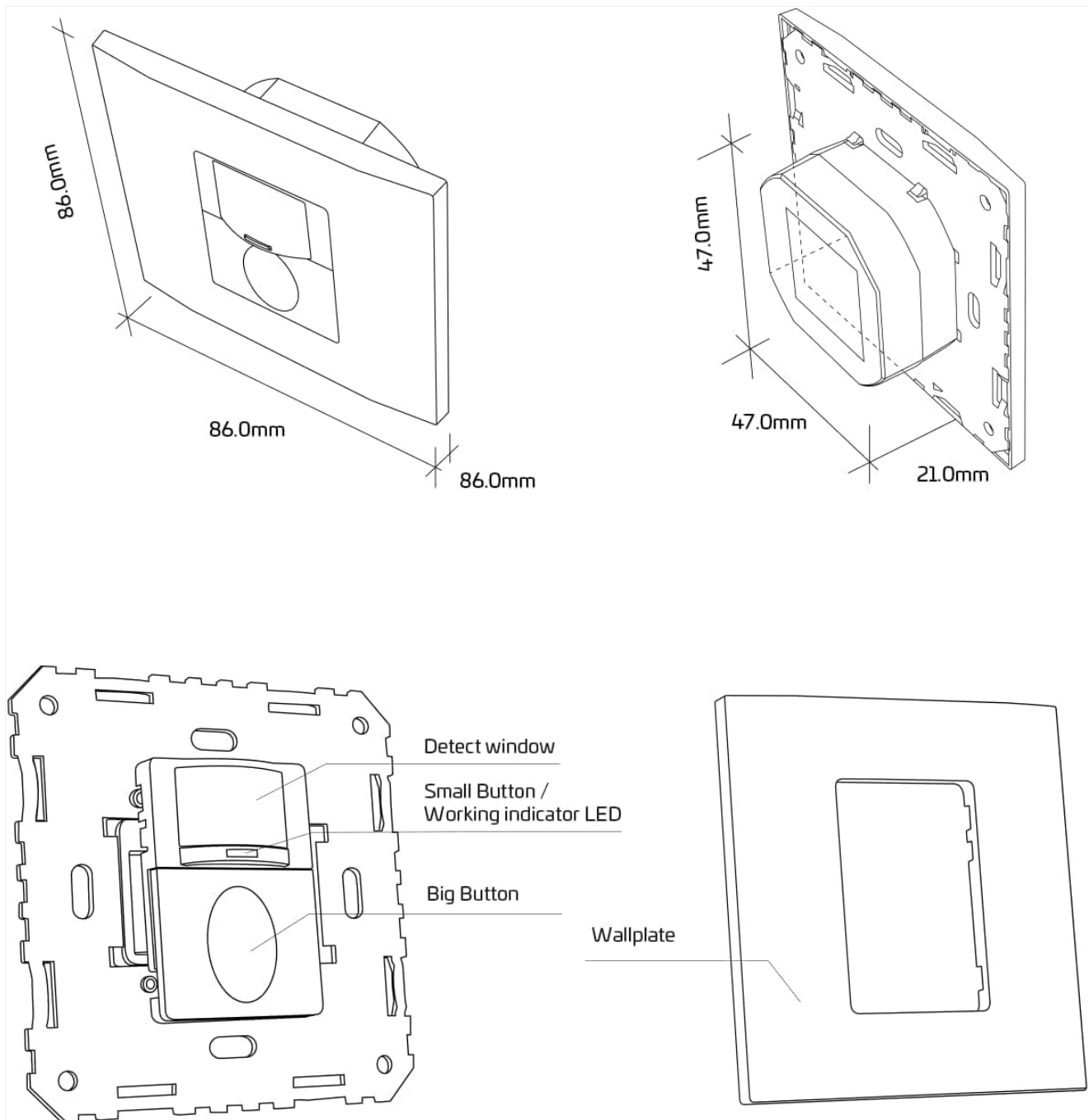


Image: Technical drawings illustrating the dimensions of the Sensky motion sensor switch, including front, side, and rear views with measurements in millimeters.

Warranty and Support

Sensky provides a **12-month warranty** for this product, covering manufacturing defects and malfunctions under normal use. If you encounter any problems during installation or operation, or require technical assistance, please do not hesitate to contact Sensky customer support.

Our customer service team is available to provide prompt support and assistance.

- **Warranty Period:** 12 Months
- **Support:** 24-hour customer service available.

Please refer to the product packaging or the official Sensky website for specific contact details.

