



[Manuals.plus](#) /

> [SOLRIG](#) /

> SOLRIG 30" x 80" Sliding Pocket Door Set User Manual

## SOLRIG 30" X 80" 1 Lites Frosted Glass

# SOLRIG Sliding Pocket Door Set User Manual

Model: 30" X 80" 1 Lites Frosted Glass

## 1. PRODUCT OVERVIEW

---

The SOLRIG 30" x 80" Sliding Pocket Door Set is designed to provide a modern, space-saving solution for various interior spaces. This set includes a white primed door slab with a 1-lite frosted glass panel and a complete frame kit. The frosted glass allows natural light to pass through while maintaining privacy, making it ideal for bathrooms, bedrooms, studies, kitchens, and living rooms.



Image: The SOLRIG 30" x 80" Sliding Pocket Door installed, showcasing its frosted glass panel and space-saving design.

## 2. KEY FEATURES

---

- **Enhanced Interior Design:** Pocket doors slide seamlessly into the wall, offering a clean, minimalist aesthetic and creating a cozy ambiance. The frosted glass panel enhances natural light while ensuring privacy.
- **Premium Quality Construction:** The 1-lite panels are crafted from solid MDF material, known for its resistance to splitting, warping, and moisture. The door panel and frame kit feature a smooth surface finish and fire-retardant properties for durability and easy maintenance.
- **Optimal Space-Saving Solution:** Designed to maximize usable space, these single pocket doors are perfect for areas where traditional swinging doors would be impractical, such as en-suites, bathrooms, and closets.
- **Comprehensive Packaging:** The product arrives in two packages. Package A contains the white finished door slab. Package B includes a full jamb kit: track, hanging and floor brackets, hanger plates, door guides, screws, and bumper. Note: Bottom track or threshold strip is not included.

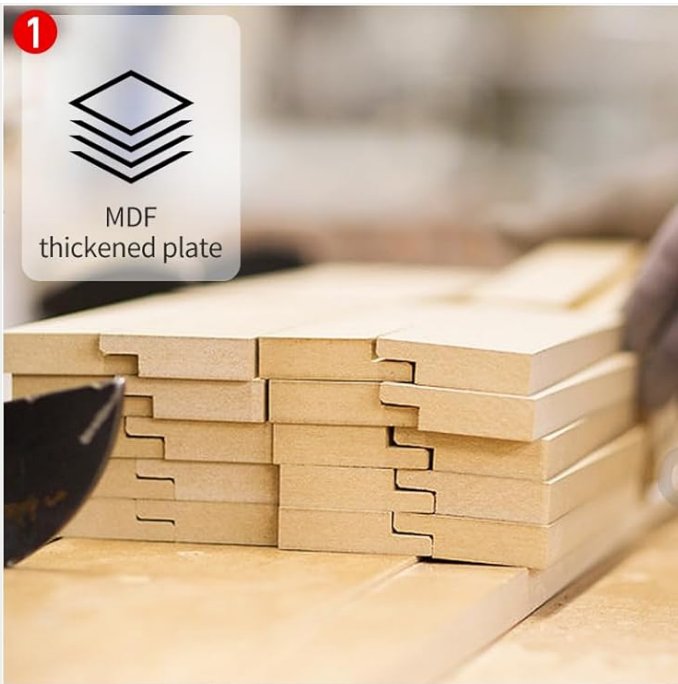


Image: Detailed view of key features including MDF thickened plate, waterproof and moisture-proof design, 3C frosted tempered glass, and load-bearing stability.

# POCKET DOOR FRAME



**1** Load-Bearing Stability



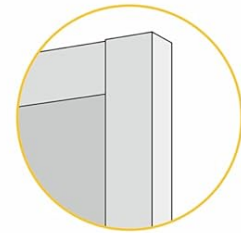
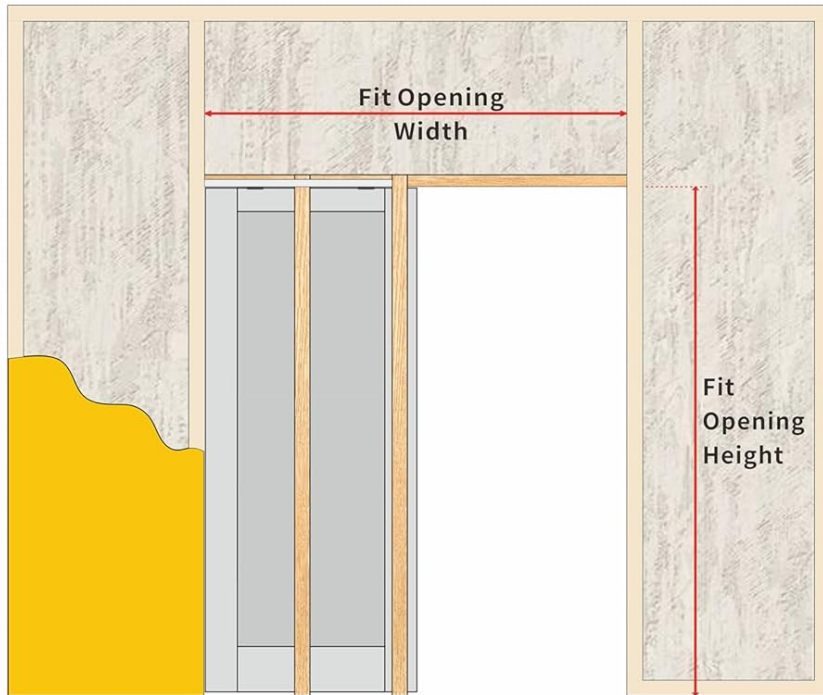
**2** Metal and Solid Wood Fusion

Image: Close-up of the pocket door frame highlighting its load-bearing stability and the fusion of metal and solid wood components.

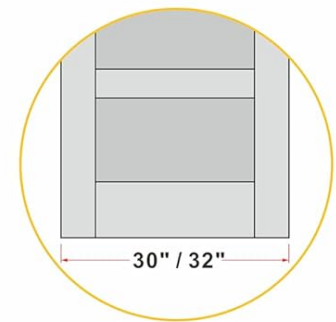
## 3. SPECIFICATIONS

Attribute	Detail
Brand	SOLRIG
Model	30" X 80" 1 Lites Frosted Glass
Color	1 Lites Frosted Glass
Material	Engineered Wood (MDF)
Style	Classic
Item Weight	80 Pounds
Product Dimensions	1.38 x 30 x 80 inches
Assembly Required	Yes

# Single Pocket Door



Door Thickness  
1.41"



## OVERALL DIMENSIONS

Door Size	Fit Opening Width	Fit Opening Height	Stud Walls
30" x 80"	60 3/8"	82 3/4"	2" x 4"
32" x 80"	64 3/8"	82 3/4"	

**Note: Please measure the rough opening of your door accurately before purchasing to ensure a proper fit.**

Image: Detailed diagram illustrating the overall dimensions and required fit opening width and height for proper installation of the single pocket door.

## 4. SETUP AND INSTALLATION

Proper installation is crucial for the smooth operation and longevity of your SOLRIG pocket door. It is recommended to have two people for installation. Please ensure you have all components from both packages (door slab and jamb kit) before beginning.

### 4.1 Pre-Installation Checklist

- Verify all parts are present and undamaged. Refer to the packing list provided with your product.
- Ensure the rough opening in your wall is accurately measured and matches the required dimensions (refer to the specifications table and diagram). For a 30" x 80" door, the fit opening width should be approximately 60 3/8" and height 82 3/4".
- Gather necessary tools: measuring tape, level, drill, screwdriver, hammer, saw (if adjustments are needed), shims,

and safety glasses.

## 4.2 Installation Steps (General Guide)

1. **Prepare the Opening:** Ensure the rough opening is plumb, level, and square. Clear any debris.
2. **Assemble the Jamb Kit:** Follow the instructions provided with the jamb kit to assemble the track, header, and vertical studs. This typically involves attaching the track to the header and then securing the vertical studs.
3. **Install the Track and Frame:** Secure the assembled track and frame into the rough opening. Use shims to ensure the frame is perfectly plumb and level. Fasten the frame securely to the wall studs.
4. **Attach Hanger Plates to Door:** Install the hanger plates onto the top edge of the door slab according to the kit instructions.
5. **Hang the Door:** Carefully lift the door and engage the hanger plates with the rollers on the track. Ensure the door hangs freely and smoothly.
6. **Install Door Guides:** Attach the floor brackets and door guides to the floor to keep the door aligned and prevent it from swinging out.
7. **Adjust and Test:** Make any necessary adjustments to the hangers or guides to ensure the door slides smoothly and closes properly. Test the door's operation multiple times.
8. **Finish the Wall:** Once the door is installed and operating correctly, you can proceed with finishing the wall (e.g., drywall, paint) around the pocket door frame.



Image: An illustrative view of the pocket door frame components, including the overhead track and vertical supports, with the door slab ready for full integration.

## 5. OPERATING INSTRUCTIONS

---

Operating your SOLRIG pocket door is straightforward. Simply push or pull the door to slide it into or out of the wall cavity. The frosted glass panel allows for light diffusion while maintaining privacy, making it suitable for various room divisions.

- To open the door, gently slide it into the wall pocket until it is fully recessed.
- To close the door, pull it out of the wall pocket until it meets the door jamb.
- Avoid forcing the door if it encounters resistance. Check for obstructions or alignment issues if the door does not slide smoothly.



Image: The SOLRIG pocket door in a closed position, demonstrating its ability to divide space while allowing light through the frosted glass.

## 6. MAINTENANCE

---

Regular maintenance will help preserve the appearance and functionality of your pocket door.

- **Cleaning:**

- For the door slab and frame, wipe with a soft, damp cloth. Avoid abrasive cleaners or harsh chemicals that could damage the finish.
- For the frosted glass, use a standard glass cleaner and a lint-free cloth.

- **Track and Rollers:** Periodically inspect the track for any debris or dust accumulation. Clean the track with a vacuum cleaner or a damp cloth. Lubricate the rollers with a silicone-based spray lubricant if the door begins to stick or make noise.
- **Hardware:** Check all screws and fasteners periodically to ensure they are tight. Tighten any loose hardware to prevent misalignment or damage.

## 7. TROUBLESHOOTING

---

If you encounter issues with your pocket door, refer to the following common troubleshooting tips:

- **Door is Sticking or Hard to Slide:**
  - Check the track for obstructions (e.g., dust, debris). Clean the track thoroughly.
  - Inspect the rollers for damage or wear.
  - Apply a silicone-based lubricant to the track and rollers.
  - Verify the door guides are not binding the door.
- **Door is Not Closing Completely or is Misaligned:**
  - Check if the door frame is plumb and level. Adjust shims if necessary.
  - Ensure the hanger plates are securely attached to the door and properly engaged with the rollers.
  - Inspect the door guides for proper alignment and ensure they are not damaged.
- **Unusual Noises During Operation:**
  - Lubricate the track and rollers.
  - Check for loose hardware or components that may be rubbing.

If these steps do not resolve the issue, please contact SOLRIG customer support for further assistance.

## 8. WARRANTY AND SUPPORT

---

SOLRIG is committed to providing excellent customer service and ensuring your satisfaction. If you encounter any issues, including product damage or missing parts, please do not hesitate to contact our support team.

We will be more than happy to assist you and provide a free replacement if necessary to ensure a positive experience with our product.

### Contacting Support:

You can reach our customer service team through the platform where you purchased the product or by visiting the official SOLRIG brand store.



Image: Instructions on how to contact customer support via the online marketplace, typically by navigating to the seller's page and using the "Ask a question" feature.



