

## ORFOFE KU5AAS054819HNTQ5

# ORFOFE Cable Puller Tool Instruction Manual

Model: KU5AAS054819HNTQ5

## 1. INTRODUCTION

This manual provides detailed instructions for the safe and effective use of your ORFOFE Cable Puller Tool. This device is designed to assist in threading electrical wires through conduits, electrical boxes, and other confined spaces, simplifying the process for electricians and DIY enthusiasts. Please read this manual thoroughly before operation and retain it for future reference.

## 2. SAFETY INFORMATION

Always prioritize safety when working with electrical systems and tools. Failure to follow these safety guidelines may result in injury or damage to property.

- **Electrical Safety:** Ensure all power to the circuit is disconnected before beginning any electrical work. Use a voltage tester to confirm circuits are de-energized.
- **Personal Protective Equipment (PPE):** Wear appropriate PPE, including safety glasses and gloves, to protect against potential hazards.
- **Tool Inspection:** Before each use, inspect the cable puller for any signs of damage, wear, or loose components. Do not use a damaged tool.
- **Proper Use:** Use the tool only for its intended purpose of threading wires. Do not use it as a prying tool or for tasks it was not designed for.
- **Secure Grip:** Maintain a firm grip on the tool during operation to prevent accidental slips.
- **Storage:** Store the tool in a dry, secure location, out of reach of children and unauthorized personnel.

## 3. PRODUCT OVERVIEW

The ORFOFE Cable Puller Tool is constructed from durable metal, designed for longevity and reliable performance. It features a compact design for ease of handling and maneuverability in various work environments.

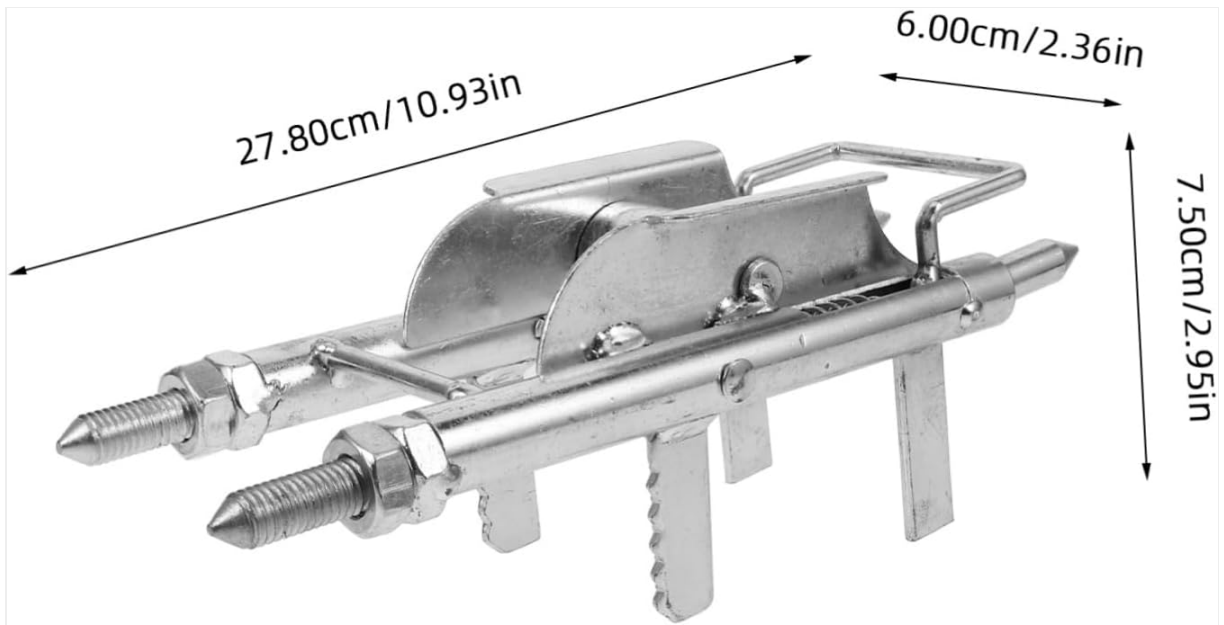


Figure 3.1: The ORFOFE Cable Puller Tool with its primary dimensions indicated. The tool measures approximately 27.80 cm (10.93 inches) in length, 7.50 cm (2.95 inches) in width, and 6.00 cm (2.36 inches) in height.



Figure 3.2: A hand demonstrating the compact size and ergonomic grip of the ORFOFE Cable Puller Tool, highlighting its portability and ease of handling.

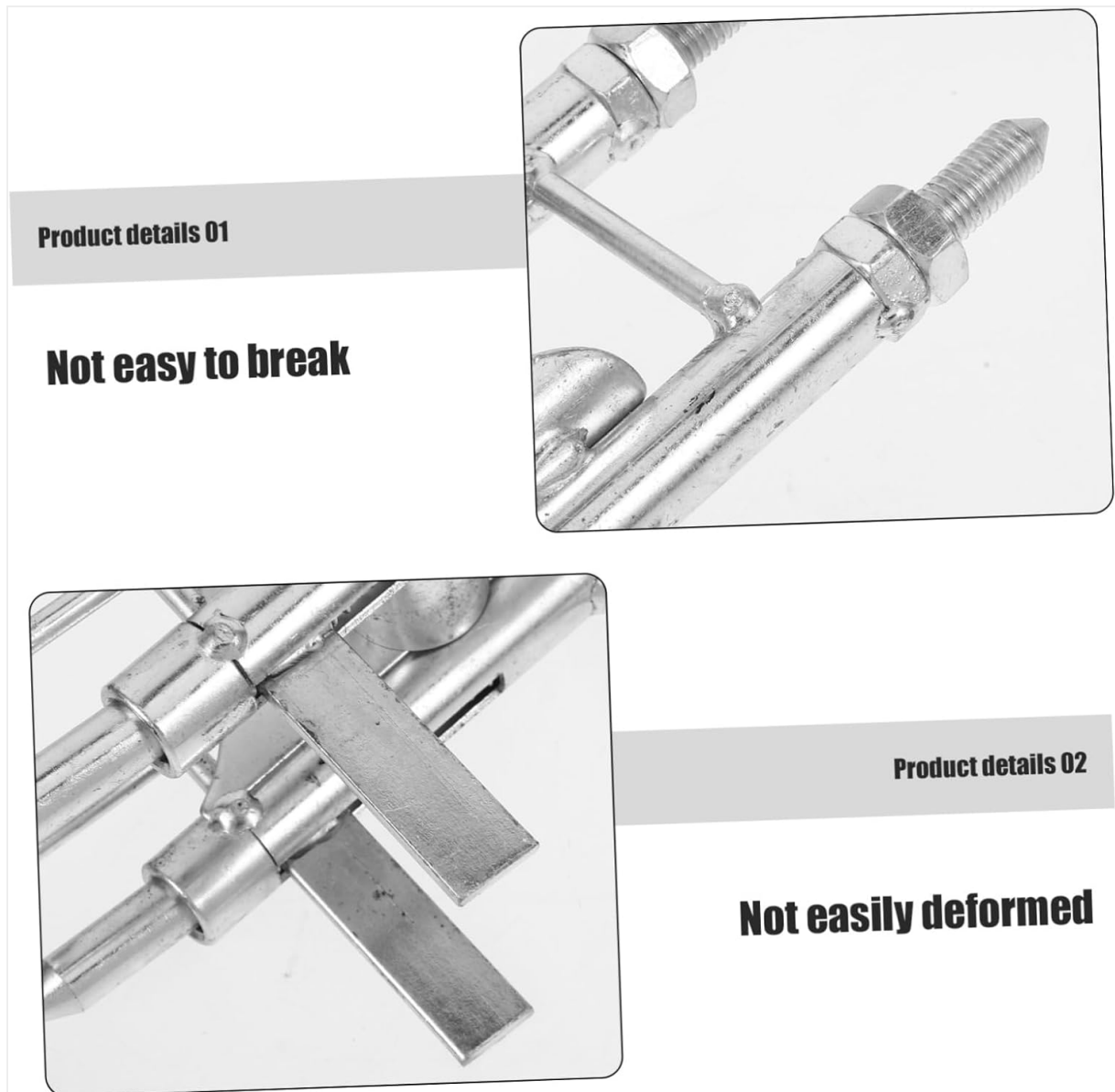


Figure 3.3: Detailed views of the tool's construction, emphasizing its robust design which is resistant to breaking and deformation, ensuring durability during use.

## 4. SETUP

The ORFOFE Cable Puller Tool requires minimal setup. Ensure the work area is clear and safe before proceeding.

1. **Inspect the Tool:** Before each use, visually inspect the cable puller for any damage or loose parts. Ensure the gripping mechanisms are clean and free of debris.
2. **Prepare Wires:** Straighten the wires to be pulled as much as possible. If necessary, tape the ends of multiple wires together to create a smooth leading edge for easier passage.
3. **Access Point:** Identify the entry and exit points for the wires. The tool is designed to assist in guiding wires through these points.

## 5. OPERATING INSTRUCTIONS

Follow these steps for effective wire threading using the ORFOFE Cable Puller Tool.

1. **Position the Tool:** Place the cable puller tool near the opening of the electrical box or conduit where the wires need to be guided. The pointed ends of the tool are designed to engage with the opening.
2. **Engage the Grippers:** The tool features adjustable grippers. Position the wires between these grippers. The tool's design allows for a secure hold on the wires, facilitating controlled pulling.
3. **Guide the Wires:** Gently push or pull the wires using the tool. The tool's structure helps maintain alignment and prevents wires from snagging or getting tangled within the conduit or box.
4. **Adjust as Needed:** For longer runs or complex bends, you may need to adjust the tool's position or the wire's tension. The tool is designed for solo operation, reducing the need for additional assistance.
5. **Complete the Pull:** Continue guiding the wires until they emerge from the desired exit point. Once the wires are through, disengage the tool.



Figure 5.1: The cable puller tool placed on a surface near an open electrical box, illustrating its readiness for use in a typical wiring scenario.



Figure 5.2: The tool positioned on a surface with a conduit and electrical box in the background, demonstrating its application in guiding wires through conduit systems.

# CONVENIENT AND PRACTICAL

Versatile tool suitable for various scenarios, electrical box wiring



Figure 5.3: The cable puller tool situated in a practical wiring environment, showcasing its utility for managing and threading electrical wires into junction boxes.

## 6. MAINTENANCE

Regular maintenance ensures the longevity and optimal performance of your ORFOFE Cable Puller Tool.

- **Cleaning:** After each use, wipe down the tool with a clean, dry cloth to remove any dust, dirt, or debris. Avoid using harsh chemicals that could damage the metal finish.
- **Lubrication:** Periodically apply a light coat of machine oil to any moving parts or pivot points to ensure smooth operation and prevent rust.
- **Storage:** Store the tool in a dry environment to prevent corrosion. Keep it in its original packaging or a dedicated tool storage area to protect it from impacts.
- **Inspection:** Regularly check for any signs of wear, bending, or damage to the metal components. If any significant damage is found, discontinue use and consider replacement.

## 7. TROUBLESHOOTING

This section addresses common issues you might encounter while using the ORFOFE Cable Puller Tool.

- **Issue: Wires are difficult to pull or get stuck.**

**Solution:** Ensure the conduit or electrical box path is clear of obstructions. Check if the wires are properly aligned and not excessively twisted. Apply a suitable wire lubricant if permitted by local codes and wire type.

- **Issue: Tool does not grip wires securely.**

**Solution:** Verify that the wires are correctly positioned within the gripping mechanism. Ensure the mechanism is clean and free of debris that might impede its function.

- **Issue: Tool appears damaged or bent.**

**Solution:** Discontinue use immediately. Do not attempt to repair severely damaged tools, as this may compromise safety and performance. Replace the tool if it is significantly damaged.

## 8. SPECIFICATIONS

Feature	Detail
Manufacturer	ORFOFE
Part Number	KU5AAS054819HNTQ5
Item Weight	1.08 pounds
Product Dimensions	10.94 x 2.95 x 2.36 inches
Item Model Number	KU5AAS054819HNTQ5
Size	27.80 x 7.50 x 6.00 CM
Color	Silver
Material	Metal
Number Of Pieces	1
Included Components	Threading tool
Batteries Included?	No
Batteries Required?	No

## 9. WARRANTY AND SUPPORT

For warranty information or technical support regarding your ORFOFE Cable Puller Tool, please refer to the product packaging or contact the retailer from whom the product was purchased. You may also visit the official ORFOFE brand store on Amazon for additional resources and contact details.

**ORFOFE Store Link:** [ORFOFE Official Store](#)