



Manuals.plus /

› VECELO /

› VECELO Twin Size Upholstered Platform Bed Frame with Tufted Adjustable Headboard Instruction Manual

VECELO Upholstered T

VECELO Twin Size Upholstered Platform Bed Frame with Tufted Adjustable Headboard Instruction Manual

Model: Upholstered T | Brand: VECELO

1. INTRODUCTION

This manual provides detailed instructions for the assembly, operation, maintenance, and troubleshooting of your VECELO Twin Size Upholstered Platform Bed Frame. Please read all instructions carefully before beginning assembly and retain this manual for future reference. The VECELO Twin Size Upholstered Platform Bed Frame features a velvet-upholstered fabric, a tufted adjustable headboard, and wood slat support, designed for comfort and durability.

2. SAFETY INFORMATION

- Do not exceed the maximum weight capacity of **650 lbs**.
- Exercise caution around sharp edges during assembly and use.
- Ensure all parts and screws are firmly attached before using the bed frame.
- Keep small parts away from children during assembly to prevent choking hazards.
- Assemble the bed frame on a soft, clean surface to prevent damage to the product or your floor.

3. PACKAGE CONTENTS

Before assembly, verify that all components listed below are present in your package:

- 1 x Bed Frame (all components for the frame and headboard)

- 1 x Instruction Manual (this document)
- 1 x Assembly Kit (includes all necessary screws, bolts, and tools)

Note: Mattress is not included.

4. SETUP AND ASSEMBLY

The VECELO Twin Size Upholstered Platform Bed Frame is designed for easy assembly, typically completed within an hour. All parts are clearly labeled, and the necessary tools are included in the assembly kit.

Assembly Steps:

1. **Unpack and Identify Parts:** Carefully unpack all components and lay them out on a soft, clean surface. Refer to the parts list in the assembly kit to identify each piece.
2. **Assemble the Headboard:** Attach the headboard components as per the detailed diagrams in the included assembly kit. Ensure all bolts are finger-tightened initially.
3. **Connect Side Rails:** Attach the side rails to the headboard and footboard (if applicable).
4. **Install Center Support:** Secure the center support beam and legs to the frame.
5. **Place Wood Slats:** Lay the wooden slats across the frame. The slats are designed with Velcro fastening for quick installation and noise reduction. Ensure they are evenly spaced and securely attached.
6. **Final Tightening:** Once all components are in place, systematically tighten all screws and bolts using the provided tool. Do not overtighten.

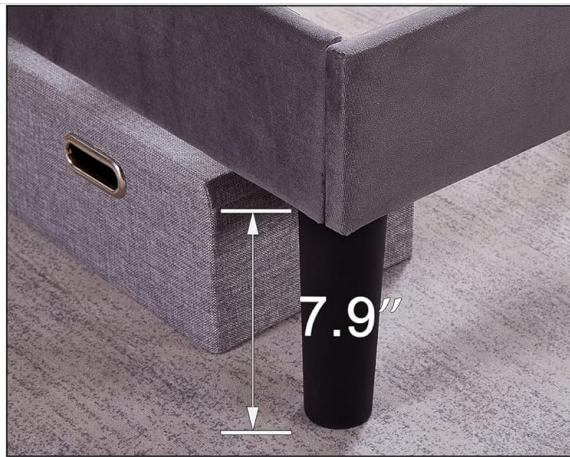
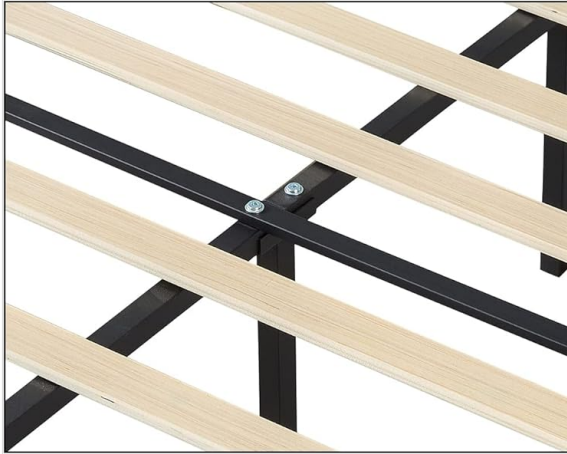


Image: The VECELO Twin Bed Frame with its wooden slat support system, ready for mattress placement.

01

Enough Space

Convenient cleaning



02

Sturdy Frame

No box spring needed



03

Velcro Design

Quick install & noise free

Image: Visual breakdown of key features including under-bed storage height, sturdy frame construction, and the Velcro slat design for easy assembly and noise reduction.

5. OPERATING INSTRUCTIONS (FEATURES)

Your VECELO Twin Size Upholstered Platform Bed Frame offers several features designed for comfort and convenience:

- **Adjustable Headboard:** The tufted headboard can be adjusted in height, ranging from 41.7 inches to 47.7 inches. This allows for optimal compatibility with mattresses between 6 and 12 inches thick.
- **Sturdy and Durable Construction:** Constructed from high-quality metal and wood, the frame includes 12 wooden slats and center steel slat support, providing a stable foundation for your mattress without the need for a box spring.
- **Noise-Free Design:** Foam-padded tape and thickened wood slats are integrated into the steel bed frame to minimize noise, ensuring a quiet sleeping environment.
- **Under-Bed Storage:** The frame provides approximately 7.9 inches of clearance underneath, offering convenient space for storage.

Height Adjustable Headboard

Fit For Different Mattress Thickness



Image: Illustration demonstrating the adjustable height range of the headboard, accommodating various mattress thicknesses.



Image: The VECELO Twin Size Upholstered Platform Bed Frame, fully assembled and dressed, showcasing its design and functionality.

6. MAINTENANCE

Proper care will extend the life and appearance of your bed frame.

- **Cleaning:** The upholstered fabric should be dry cleaned only. For minor spills, gently blot with a clean, dry cloth. Avoid harsh chemicals or abrasive cleaners.
- **Regular Inspection:** Periodically check all bolts and screws to ensure they remain tight. Retighten as necessary to maintain stability and prevent squeaking.
- **Dusting:** Regularly dust the frame with a soft, dry cloth.
- **Avoid Direct Sunlight:** Prolonged exposure to direct sunlight may cause the fabric color to fade.

7. TROUBLESHOOTING

If you encounter any issues with your bed frame, refer to the following common solutions:

- **Squeaking Noises:**
 - Ensure all assembly bolts and screws are securely tightened.
 - Verify that the wooden slats are properly seated and the Velcro strips are fully engaged.
 - Check that the center support legs are firmly on the floor and not loose.
- **Instability/Wobbling:**
 - Re-check all connections to ensure they are tight and correctly assembled according to the instructions.
 - Ensure the bed frame is placed on a level surface.
- **Headboard Not Adjusting:**
 - Confirm that the adjustment mechanism is free from obstruction.
 - Ensure the headboard bolts are loosened sufficiently to allow movement, then retightened once the desired height is achieved.
- **Missing Parts:** If any parts are missing upon unboxing, please contact VECELO customer support immediately for assistance.

8. SPECIFICATIONS

Feature	Specification
Model Number	Upholstered T
Size	Twin
Product Dimensions (L x W x H)	76.6" x 39" x 13.8" (Frame height without headboard)
Adjustable Headboard Height	41.7" to 47.7"
Recommended Mattress Thickness	6" - 12"
Color	Dark Grey
Material	Velvet Upholstery, Metal, Wood Slats
Max Load Capacity	650 lbs
Under Bed Clearance	7.9 inches
Assembly Required	Yes
Item Weight	55 pounds
UPC	840408909976



Image: Technical drawing with key dimensions for the VECELO Twin Size Bed Frame.

9. WARRANTY AND SUPPORT

For warranty information, missing parts, or any product-related inquiries, please contact VECELO customer support. Refer to the contact information provided with your purchase or visit the official VECELO website for assistance.

Please have your model number (Upholstered T) and purchase details ready when contacting support.