

[Manuals.plus](#) /

› [USonline911](#) /

› USonline911 HQ56/HQ5 Shaver Blades Replacement Instruction Manual

## USonline911 HQ56/HQ5

# USonline911 HQ56/HQ5 Shaver Blades Replacement Instruction Manual

## 1. PRODUCT OVERVIEW

---

The USonline911 HQ56/HQ5 Shaver Blades are designed as a direct replacement for worn or damaged shaver heads, ensuring continued close and comfortable shaving performance. These blades feature a two-layer cutter design for efficient hair removal.



Image 1: A set of three USonline911 HQ56/HQ5 replacement shaver blades, ready for installation.

- **Dual-Layer Cutter Design:** Engineered with two layers of cutters for effective and precise shaving.
- **Optimal Performance:** Recommended replacement every 12 months to maintain maximum shaving efficiency and a consistently close shave.
- **Quality Replacement:** A durable blade cutter designed to perfectly replace your damaged shaver head.

## 2. COMPATIBILITY

These replacement shaver blades are compatible with a wide range of Philips Norelco shaver models. Please verify your shaver model number to ensure proper fit and function.

### Compatible Philips Norelco Shaver Series:

- **HQ3 Series:** HQ300, HQ302, HQ304, HQ320, HQ322, HQ340, HQ342, HQ360, HQ362, HQ380, HQ382, HQ384, HQ386, HQ3405, HQ3425, HQ3445, HQ3601, HQ3604, HQ3605, HQ3610, HQ3801, HQ3805, HQ3825, HQ3830, HQ3865, HQ3870
- **HQ4 Series:** HQ442, HQ443, HQ444, HQ481, HQ482, HQ483, HQ484, HQ485, HQ486, HQ487, HQ4401, HQ4402, HQ4403, HQ4404, HQ4405, HQ4406, HQ4407, HQ4411, HQ4413, HQ4425, HQ4445, HQ4601, HQ4602, HQ4603, HQ4604, HQ4605, HQ4630, HQ4800, HQ4805, HQ4806,

HQ4807, HQ4810, HQ4816, HQ4821, HQ4825, HQ4826, HQ4830, HQ4845

- **HQ5 Series:** HQ5605, HQ5699, HQ5801, HQ5802, HQ5806, HQ5810, HQ5811, HQ5814, HQ5815, HQ5816, HQ5818, HQ5819, HQ5821, HQ5825, HQ5826, HQ5830, HQ5841, HQ5842, HQ5845, HQ5846, HQ5847, HQ5848, HQ5849, HQ5850, HQ5851, HQ5853, HQ5854, HQ5855, HQ5856, HQ5861, HQ5865, HQ5866, HQ5870
- **HQ6 Series:** HQ6405, HQ6415, HQ6423, HQ6424, HQ6445, HQ6605, HQ6613, HQ6614, HQ6615, HQ6616, HQ6617, HQ6618, HQ6640, HQ6645, HQ6675, HQ6676, HQ6695, HQ6696, HQ6831, HQ6842, HQ6843, HQ6844, HQ6849, HQ6853, HQ6854, HQ6855, HQ6856, HQ6857, HQ6859, HQ6861, HQ6863, HQ6868, HQ6874, HQ6879, HQ6900, HQ6920, HQ6940, HQ6970, HQ6990
- **HS Series:** HS190, HS260, HS360, HS375, HS465, HS470, HS480, HS485, HS702, HS703, HS704, HS705, HS706, HS708, HS709, HS715, HS755, HS765, HS766, HS775, HS800, HS820, HS825, HS830, HS840, HS850, HS860, HS875, HS885, HS890, HS895, HS896, HS900, HS905, HS915, HS920, HS925, HS930, HS945, HS950, HS955, HS965, HS969, HS970, HS975, HS980, HS990
- **HP Series:** HP1318, HP1319, HP1323, HP1327, HP1328, HP1335, HP1336, HP1337, HP1338, HP1339, HP1601, HP1602, HP1604, HP1605, HP1606, HP1607, HP1608, HP1700
- **Other:** HQ9/5202, HQ9/5204, HQ9/5206, HQ9/5212, HQ9/5214, HQ9/5216

### 3. INSTALLATION (BLADE REPLACEMENT)

---

To replace your shaver blades, follow these steps:

1. **Open the Shaver Head:** Gently open the shaver head unit. Most Philips Norelco shavers have a hinge mechanism that allows the head to flip open.
2. **Remove the Retaining Frame:** Locate the blue retaining frame that holds the individual blade units in place. There are usually two small protrusions with arrows on them. Turn these anti-clockwise until you hear a small click. This will release the frame.
3. **Remove Old Blade Units:** Carefully lift out the old blade units (cutter and foil assembly) from their slots.
4. **Insert New Blade Units:** Place the new HQ56/HQ5 blade units into the corresponding slots. Ensure the blades are seated correctly. Note that the blades are polarized and will only fit one way. Turn them until they align with the grooves and sit flush.
5. **Reinstall Retaining Frame:** Place the blue retaining frame back over the new blade units. Align the protrusions on the frame with the corresponding slots and turn them clockwise until they click into place, securing the blades.
6. **Close Shaver Head:** Close the shaver head unit until it clicks securely.

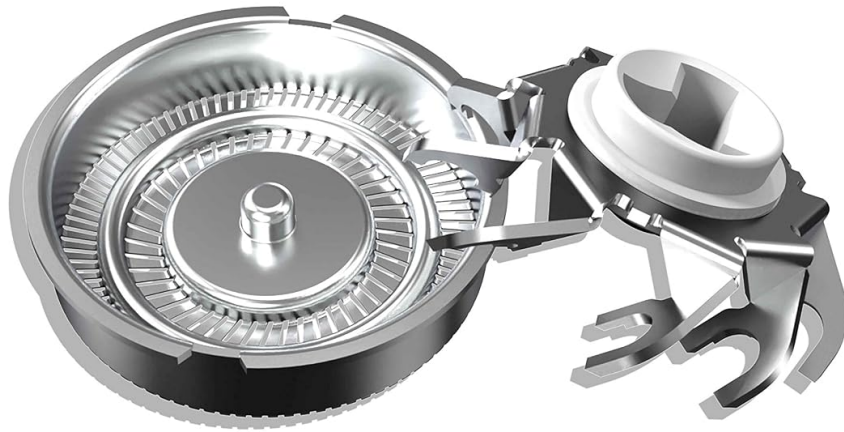


Image 2: A close-up view of a disassembled shaver blade, illustrating the separate outer foil and inner cutter components. This shows the parts involved in replacement.

## 4. OPERATING INSTRUCTIONS

---

Once the new blades are installed, your shaver is ready for use. For optimal results, ensure your shaver is fully charged before each use. Shave against the direction of hair growth, using gentle, circular motions.

## 5. MAINTENANCE

---

Regular cleaning and maintenance of your shaver and its blades are crucial for extending their lifespan and ensuring consistent shaving performance. The following steps detail how to clean your shaver and its blades.

### Daily Cleaning:

1. After each shave, open the shaver head.
2. Tap out any loose hair clippings.
3. Rinse the shaver head thoroughly under running water while the shaver is running. This helps flush out remaining hair and debris.

4. Turn off the shaver and shake off excess water. Leave the shaver head open to air dry completely before closing.

### **Deep Cleaning (Recommended Bi-Weekly or Monthly):**

For a more thorough clean, especially to remove grease and stubborn residue, follow these steps:

1. Perform the daily cleaning steps first.
2. Disassemble the shaver head by removing the retaining frame and individual blade units as described in the Installation section.
3. Prepare a solution of hot water and a small amount of household vinegar in a jar.
4. Place the individual blade units into the vinegar solution. Secure the lid on the jar and shake vigorously for a few seconds. The vinegar acts as a degreaser, helping to loosen accumulated grime.
5. Remove the blade units from the solution and rinse them thoroughly under running water.
6. Inspect the blades for any remaining debris. A magnifying glass can be helpful for close inspection.
7. Allow all components to air dry completely before reassembling the shaver head.

Your browser does not support the video tag.

Video 1: This video demonstrates the process of daily cleaning and deep cleaning a Philips electric shaver, including disassembling the head, rinsing under water, and using a vinegar solution for thorough degreasing of the blades.



Image 3: The individual shaver blade components, including the outer foil and inner cutter, shown separated for detailed cleaning.

## 6. TROUBLESHOOTING

---

If you experience issues after replacing your shaver blades, consider the following:

- **Poor Shave Quality:** Ensure the blades are correctly seated and the retaining frame is securely locked. Verify that the shaver is fully charged.
- **Increased Noise:** Check for any loose components within the shaver head. Reassemble the blades and frame carefully, ensuring all parts click into place.
- **Irritation:** New blades can sometimes cause slight irritation initially. Ensure your skin is clean and dry before shaving. If irritation persists, ensure the blades are clean and properly installed.
- **Shaver Not Turning On:** This is typically not related to blade replacement. Check the shaver's battery charge and power connection.

## 7. SPECIFICATIONS

---

- **Product Type:** Replacement Shaver Blades
- **Cutter Design:** 2 layers of cutters
- **Recommended Replacement:** Every 12 months for optimal performance
- **Manufacturer:** USonline911
- **ASIN:** B0CT3HR711

## 8. WARRANTY AND SUPPORT

---

For warranty information or product support, please refer to the documentation provided with your original purchase or contact USonline911 customer service directly. Keep your purchase receipt for any warranty claims.