



[Manuals.plus](#) /

> [vidaXL](#) /

> vidaXL Solid Pine Wood Kitchen Trolley User Manual (Model 376117)

vidaXL 376117

vidaXL Solid Pine Wood Kitchen Trolley User Manual

Model: 376117

1. INTRODUCTION

Thank you for purchasing the vidaXL Solid Pine Wood Kitchen Trolley. This manual provides essential information for the safe assembly, operation, and maintenance of your new kitchen trolley. Please read these instructions carefully before use and retain them for future reference.

This versatile rolling cart features drawers, shelves, and wheels, designed to enhance storage and organization in various areas of your home.

2. SAFETY INFORMATION

Always follow basic safety precautions when assembling and using this product to reduce the risk of injury or damage.

- Read all instructions before assembly and use.
- Keep children and pets away during assembly.
- Assemble on a soft, clean surface to prevent scratches.
- Ensure all parts are securely fastened before use.
- Do not overload the shelves or drawers.
- Lock the wheels when the trolley is stationary to prevent accidental movement.
- This product is not water resistant. Avoid exposure to excessive moisture.

California Proposition 65 Warning:

This product contains chemicals known to the State of California to cause cancer, birth defects or other reproductive harm. For more information, go to www.P65Warnings.ca.gov.

3. PACKAGE CONTENTS

Before beginning assembly, ensure all parts listed below are present and undamaged. If any parts are missing or damaged, do not proceed with assembly and contact customer support.

- Trolley frame components
- Drawers and drawer slides
- Shelves
- Wheels (4, with 2 lockable)
- Wooden hanger and metal hooks
- Assembly hardware (screws, dowels, etc.)
- Assembly instructions (this manual)

4. SPECIFICATIONS

Brand	vidaXL
Model Number	376117
Material	Solid Pine Wood, Engineered Wood
Color	White and Honey Wax
Dimensions (L x W x H)	33.1" x 15.7" x 35.4" (84 cm x 40 cm x 90 cm)
Item Weight	47.3 lbs (21.5 kg)
Features	4 Drawers, 2 Open Shelves, 4 Wheels (2 lockable), Wooden Hanger, Metal Hooks
Assembly Required	Yes



Figure 1: Product Dimensions. This image illustrates the overall dimensions of the kitchen trolley, including its width, depth, and height, along with specific measurements for drawer and shelf areas.

5. SETUP AND ASSEMBLY

Assembly is required for this product. Please follow the steps below carefully. It is recommended to have two people for assembly.

5.1 Tools Required (Not Included)

- Phillips head screwdriver
- Hammer (optional, for dowels)

5.2 Assembly Steps

1. **Unpack and Identify Parts:** Carefully remove all components from the packaging. Lay them out on a clean, soft surface to prevent damage. Refer to the parts list (if provided separately or in the package contents section) to identify each piece.

2. **Assemble the Side Frames:** Attach the horizontal support bars to the vertical side panels using the provided screws and dowels. Ensure all connections are snug.
3. **Install Shelves:** Slide the open shelves into their designated slots on the side frames. Secure them with screws as indicated in the diagram.
4. **Attach the Top Panel:** Secure the top wooden panel to the assembled frame using screws.
5. **Assemble Drawers:** Construct each drawer by attaching the sides, front, and back panels. Install the drawer slides onto the drawers and the corresponding runners within the trolley frame.
6. **Insert Drawers:** Carefully slide the assembled drawers into their respective compartments.
7. **Attach Wheels:** Screw the four wheels into the bottom of the trolley legs. Ensure the two lockable wheels are positioned at the front for easy access.
8. **Install Hanger and Hooks:** Attach the wooden hanger bar and metal hooks to the side of the trolley as desired.
9. **Final Check:** Verify that all screws are tightened and all components are securely in place.



Figure 2: Assembled Kitchen Trolley. This image shows the complete kitchen trolley from the front, highlighting its design with drawers, shelves, and the towel bar.



Figure 3: Trolley in Use. This image demonstrates the practical application of the kitchen trolley in a home environment, showing items stored on its shelves and hanging from its side.



Figure 4: Lockable Wheels. A detailed view of the trolley's wheels, illustrating the design and the locking feature for stability.

6. OPERATING INSTRUCTIONS

6.1 Moving the Trolley

- To move the trolley, ensure both lockable wheels are in the unlocked position.
- Gently push or pull the trolley to its desired location.
- Avoid sudden movements or pushing over uneven surfaces to prevent items from falling.

6.2 Securing the Trolley

- Once the trolley is in its desired position, engage the locks on the two lockable wheels. This will prevent accidental movement and ensure stability.

6.3 Using Drawers and Shelves

- The drawers are designed for storing smaller items, utensils, or linens. Pull them gently to open and push to close.
- The open shelves are suitable for larger items such as cookbooks, small appliances, or decorative pieces.
- The slatted shelf is specifically designed to hold wine bottles securely.
- Utilize the wooden hanger and metal hooks on the side for towels, oven mitts, or other frequently used items.

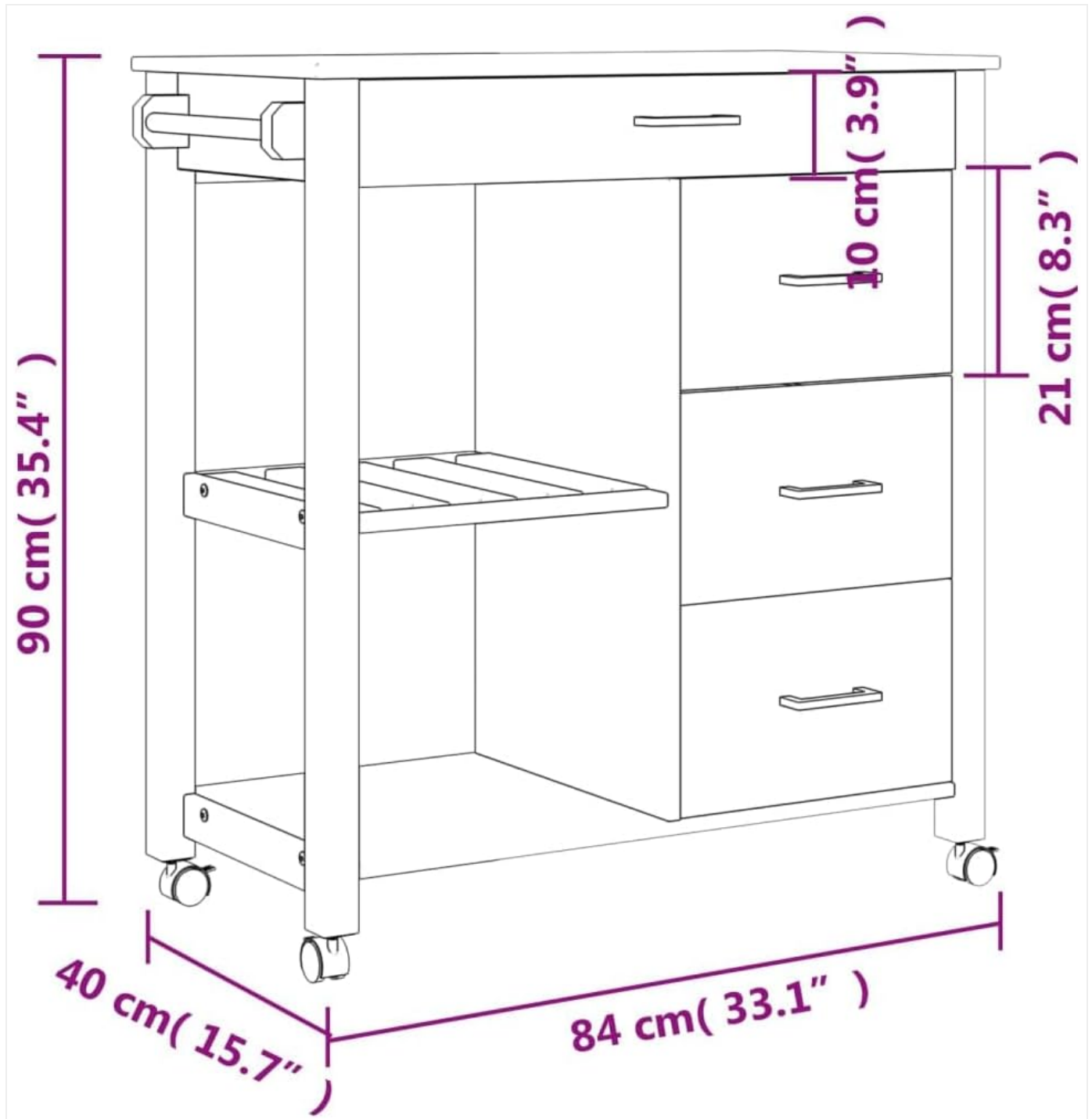


Figure 5: Open Drawers. This image shows the drawers of the trolley in an open position, illustrating their capacity and accessibility.

7. MAINTENANCE

Proper care and maintenance will extend the life of your kitchen trolley.

- **Cleaning:** Wipe surfaces with a soft, dry cloth. For stubborn marks, use a slightly damp cloth with mild soap, then dry immediately. Avoid abrasive cleaners or harsh chemicals.

- **Product Care:** The manufacturer recommends "Dry Clean Only" for the fabric type (Polyester), which likely refers to any fabric components or general care advice for the wood finish. For the wood surfaces, avoid excessive moisture.
- **Hardware Check:** Periodically check all screws and fasteners to ensure they remain tight. Retighten as necessary to maintain stability.
- **Wheel Maintenance:** Keep wheels free of debris. If wheels become stiff, a small amount of silicone spray can be applied to the axle.
- **Avoid Direct Sunlight:** Prolonged exposure to direct sunlight can cause wood to fade or crack.

8. TROUBLESHOOTING

Problem	Possible Cause	Solution
Trolley is wobbly or unstable.	Loose fasteners; uneven floor.	Check and tighten all screws. Ensure the trolley is on a level surface.
Drawers do not slide smoothly.	Drawer slides misaligned; debris in runners; drawers overloaded.	Ensure drawer slides are correctly installed and aligned. Clean any debris from the runners. Reduce weight in drawers.
Wheels are difficult to roll or lock.	Debris in wheels; lock mechanism stuck.	Clean wheels and axles. Apply a small amount of lubricant if necessary. Ensure lock is fully disengaged/engaged.

9. WARRANTY AND SUPPORT

For warranty information or customer support, please refer to the retailer's policy or contact vidaXL directly through their official channels. Keep your purchase receipt for any warranty claims.

Returns: This product typically offers 30-day easy returns. Please check with your retailer for specific return policies.

Manufacturer: vidaXL

Website: www.vidaxl.com (General website, specific support link may vary by region)

