

Manuals+

[Q & A](#) | [Deep Search](#) | [Upload](#)

manuals.plus /

- › [COBI](#) /
- › [COBI Willys MB Jeep and Trailer Building Block Set Instruction Manual](#)

COBI COBI-2297

COBI Willys MB Jeep and Trailer Building Block Set Instruction Manual

Model: COBI-2297

INTRODUCTION

This manual provides detailed instructions for assembling and understanding your COBI Historical Collection WWII Willys MB Jeep and Trailer building block set. This set is designed to replicate the iconic Willys MB vehicle and its accompanying trailer, featuring two figures representing American 101st Airborne Division soldiers. The model is built to a 1:35 scale and consists of 200 high-quality elements. Please read all instructions carefully before beginning assembly to ensure a smooth and enjoyable building experience.



Image: The product box for the COBI Willys MB Jeep and Trailer set, showing the assembled model, two figures, and key details like the 1:35 scale and 200 elements.

SAFETY INFORMATION

WARNING: CHOKING HAZARD - Small parts. Not for children under 3 years.

This product contains small parts which may pose a choking hazard for young children. Adult supervision is recommended during assembly and play, especially for younger builders. Keep all packaging materials away from children.

PACKAGE CONTENTS

Before starting assembly, please verify that all components are present. Your COBI Willys MB Jeep and Trailer set should include:

- 200 high-quality building block elements.
- Instruction Manual (this document).
- Two soldier figurines (American 101st Airborne Division).
- Accessories for the vehicle and figures, including a heavy machine gun and tools.

If any parts are missing or damaged, please contact COBI customer support for assistance.



Image: The fully assembled COBI Willys MB Jeep and Trailer model, depicted with two soldier figures and various accessories.

SETUP AND ASSEMBLY

Follow the step-by-step illustrated instructions provided in the physical instruction manual included with your set. The assembly process is designed to be intuitive, but careful attention to detail will ensure correct construction.

1. **Preparation:** Unpack all building blocks and sort them by color or type if desired. This can simplify the building process.
2. **Follow Instructions:** Refer to the included instruction booklet for detailed, step-by-step diagrams. Each step will show which pieces to use and where to place them.
3. **Jeep Assembly:** Begin by constructing the chassis of the Willys MB Jeep, then proceed to the body, engine compartment, and interior details. Attach the wheels with rubber tires.
4. **Trailer Assembly:** Assemble the trailer separately, ensuring the hitch mechanism is correctly installed to connect with the Jeep.
5. **Accessory Placement:** Attach the heavy machine gun to the Jeep and place other accessories, such as tools, onto the vehicle or into the trailer as indicated.
6. **Figure Assembly:** Assemble the two soldier figurines and equip them with their respective accessories.

Ensure all connections are firm to maintain the structural integrity of the model.

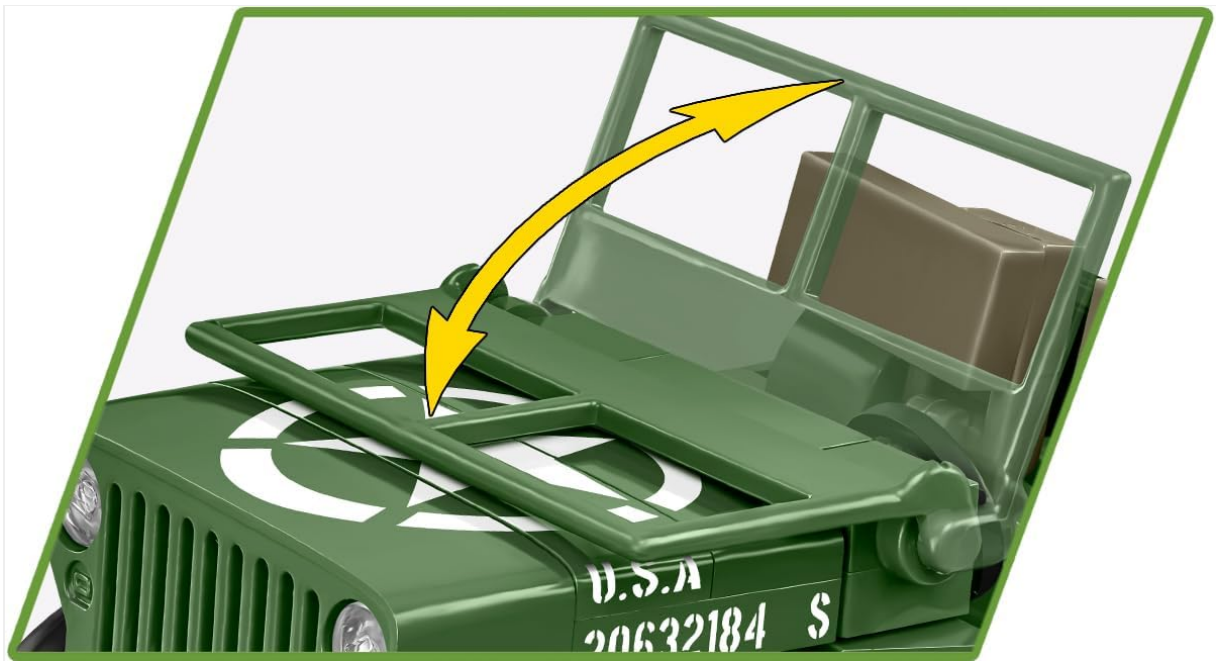


Image: A close-up view of the COBI Willys MB Jeep model, highlighting the functional folding windshield feature with an arrow indicating movement.

OPERATING INSTRUCTIONS

Once assembled, your COBI Willys MB Jeep and Trailer model is ready for display or imaginative play. Key features include:

- **Rolling Wheels:** The Jeep and trailer feature wheels with rubber tires that allow the model to roll smoothly on flat surfaces.
- **Articulated Figures:** The included soldier figures have movable parts, allowing for various poses.
- **Functional Windshield:** The Jeep's windshield can be folded down, replicating a feature of the original vehicle.
- **Detachable Trailer:** The trailer can be easily attached to and detached from the Jeep.

Handle the model with care to prevent accidental disassembly of smaller components.



Image: One of the COBI soldier figures, dressed in a tan uniform with a green helmet, holding a rifle and a grenade.



Image: The second COBI soldier figure, also in a tan uniform and green helmet, holding a rifle and a pair of binoculars.

MAINTENANCE

To keep your COBI building block set in optimal condition:

- **Cleaning:** Dust the model regularly with a soft, dry cloth or a soft brush. For deeper cleaning, use a slightly damp cloth with mild soap and water, then dry thoroughly. Avoid harsh chemicals or abrasive materials.
- **Storage:** Store the model in a cool, dry place away from direct sunlight to prevent discoloration or material degradation.
- **Handling:** Always handle the model by its main body to avoid putting stress on smaller, delicate parts.

TROUBLESHOOTING

If you encounter any issues during assembly or with the completed model, consider the following:

- **Missing or Damaged Parts:** If you find any parts are missing or damaged upon opening the box, please contact COBI customer support with your product model number (COBI-2297) and a description of the issue.
- **Difficulty Connecting Blocks:** Ensure that the blocks are aligned correctly and apply firm, even pressure. Some new blocks may require slightly more force to connect initially.
- **Model Instability:** Double-check all connections according to the instruction manual. Loose connections can lead to instability. Re-assemble any sections that appear weak.
- **Figures Not Standing:** Ensure the figures' legs are properly attached and positioned on a flat surface.

SPECIFICATIONS

Model Number	COBI-2297
Product Dimensions (L x W x H)	10.5 cm (4.13") x 5 cm (1.97") x 7 cm (2.76")
Scale	1:35
Number of Elements	200
Item Weight	7.4 ounces
Manufacturer Recommended Age	6 years and up
Release Date	May 3, 2024

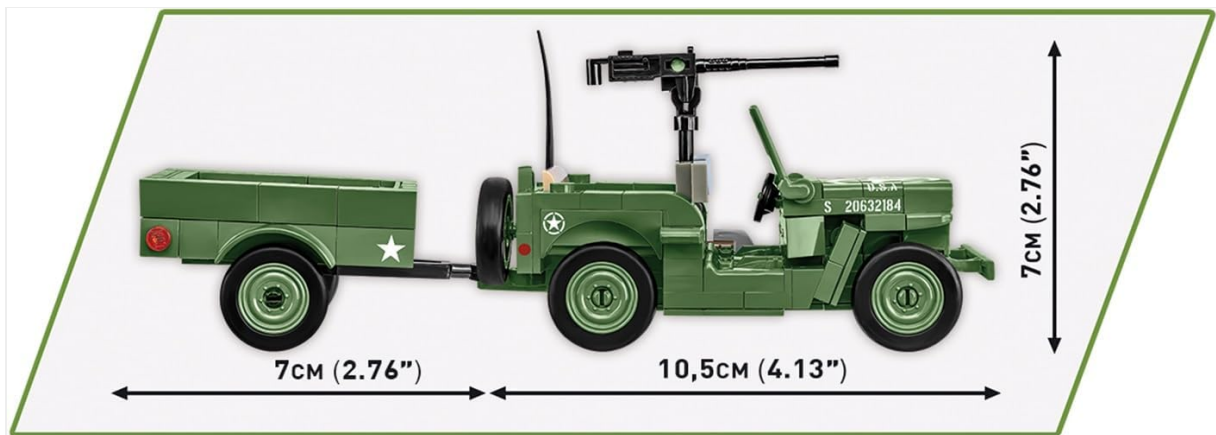


Image: A diagram illustrating the length and height dimensions of the assembled COBI Willys MB Jeep and Trailer model.

WARRANTY AND SUPPORT

For information regarding product warranty, missing parts, or technical support, please refer to the contact information provided on the product packaging or visit the official COBI website. Please have your model number (COBI-2297) available when contacting support.