

VASAGLE ULHS015B02

VASAGLE CUSTOS ULHS015B02 Shoe Storage Bench Instruction Manual

Model: ULHS015B02

INTRODUCTION

This manual provides detailed instructions for the assembly, operation, and maintenance of your VASAGLE CUSTOS ULHS015B02 Shoe Storage Bench. This bench is designed to offer organized storage for shoes and a comfortable seating area, suitable for entryways, bedrooms, or other living spaces. Please read these instructions carefully before assembly and use to ensure safe and correct operation.

SAFETY INFORMATION

- **Weight Capacity:** Do not exceed the maximum weight capacity of 440 lbs (200 kg) on the bench seat.
- **Stable Placement:** Ensure the bench is placed on a flat, stable surface to prevent tipping.
- **Assembly:** Follow all assembly instructions precisely. Do not skip steps or use unauthorized parts.
- **Children:** Keep small parts away from children during assembly. Do not allow children to climb on or play with the bench unsupervised.
- **Moving the Bench:** When moving the assembled bench, lift it carefully rather than dragging to prevent damage to the unit or your flooring.

PACKAGE CONTENTS

Before beginning assembly, verify that all components listed below are present and undamaged. If any parts are missing or damaged, please contact customer support.

- 1 x Shoe Storage Bench
- 1 x Accessory Kit (includes all necessary hardware)
- 1 x Instructions Manual (this document)

SETUP AND ASSEMBLY

Assembly of this shoe bench is designed to be straightforward. Please refer to the included graphical instructions for detailed steps. Ensure you have a clear, spacious area for assembly.

1. **Unpack Components:** Carefully remove all parts from the packaging and lay them out on a clean, soft surface to prevent scratches.
2. **Identify Parts:** Match each part to the corresponding labels in the instruction diagram.
3. **Assemble Frame:** Follow the step-by-step diagrams to connect the main frame components using the provided hardware. Ensure all connections are secure.
4. **Install Dividers:** Insert the cubby dividers into their designated slots. Ensure the small metal pegs are firmly seated to prevent sagging.
5. **Attach Back Panel:** Secure the back panel to the assembled frame using the pre-set holes.
6. **Apply Floor Pads:** Attach the 6 bottom pads to the base of the bench to protect your floors.
7. **Place Cushion:** Position the padded seat cushion on top of the bench. It is secured by hook-and-loop fasteners for easy removal.

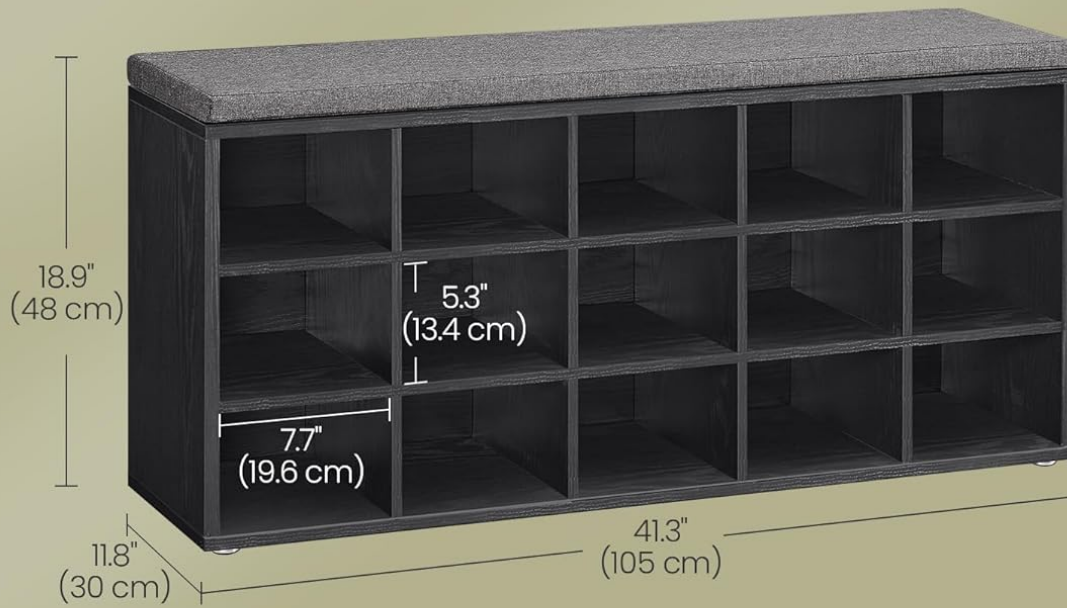
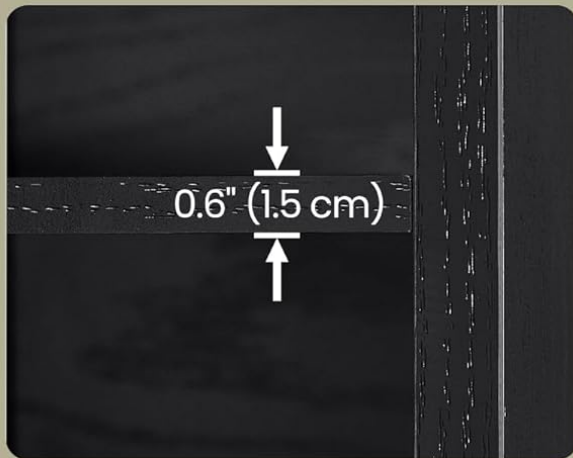


Figure 1: Product dimensions and cubby measurements.

400 lb (200 kg)

Weight Capacity



Thick Particleboard



6 Floor-Friendly Pads

Figure 2: Details of the 12mm thick particleboard construction and floor-friendly pads.

OPERATING INSTRUCTIONS

The VASAGLE CUSTOS Shoe Storage Bench is designed for both shoe organization and comfortable seating.

Shoe Storage

The bench features 15 compartments, each capable of holding one pair of standard-sized shoes. For larger shoes or boots, you may need to adjust placement (e.g., placing one shoe sideways, or one boot per cubby) to ensure a proper fit.

VASAGLE



Holds 15 Pairs of Shoes

Figure 3: Shoe bench in an entryway, demonstrating shoe storage.

Seating Function

The padded top provides a comfortable surface for sitting, making it convenient to put on or take off shoes. The cushion is removable, attached by hook-and-loop fasteners, and its linen-look fabric cover has a zipper for easy detachment.

As a Comfortable Bedside Bench



Figure 4: The bench can also be used as a bedside bench for storage of various items.

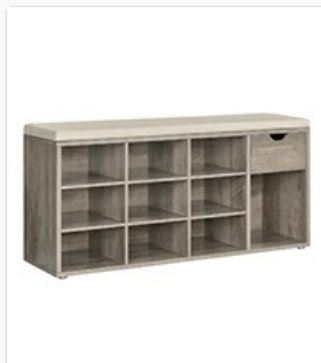


Figure 5: The cushion is easily removable via hook-and-loop fasteners.



Figure 6: The cushion cover features a zipper for easy removal and cleaning.

MAINTENANCE

- **Cleaning the Bench:** Wipe the particleboard surfaces with a dry cloth. Avoid using harsh chemicals or abrasive cleaners.
- **Cushion Care:** The linen-look fabric cover of the cushion can be removed via its zipper. Follow the care instructions on the cushion label for cleaning. Typically, spot cleaning or gentle hand washing is recommended.
- **Regular Checks:** Periodically check all screws and connections to ensure they remain tight and secure.

TROUBLESHOOTING

- **Shoes do not fit in cubbies:** The cubbies are designed for standard shoe sizes. For larger shoes (e.g., men's size 10+ or certain boot styles), you may need to place them sideways or store one shoe per cubby.
- **Bench feels unstable:** Ensure all screws and fasteners are tightened securely. Verify the bench is on a level surface. If the issue persists, re-check assembly steps.
- **Shelf pegs fall out:** During assembly or movement, ensure the small metal pegs supporting the shelves are fully inserted into their holes. If they repeatedly fall out, ensure the shelf is correctly aligned.

SPECIFICATIONS

Feature	Detail
Product Dimensions (D x W x H)	11.8" x 41.3" x 18.9" (30 x 105 x 48 cm)
Material	Particleboard, Foam, Linen-Look Fabric Cover
Color	Ebony Black + Slate Gray
Style	Modern
Number of Compartments	15
Maximum Weight Recommendation	440 Pounds (200 kg)
Assembly Required	Yes

Included Components

Shoe Storage Bench, Accessory Kit, Instructions

WARRANTY AND SUPPORT

For warranty information or customer support, please refer to the documentation included with your purchase or contact the retailer. Keep your proof of purchase for any warranty claims.

© 2024 VASAGLE. All rights reserved.