

## RBROHANT JK0300

# RBROHANT Matte Black Shower System with Tub Spout

## MODEL: JK0300 - INSTRUCTION MANUAL

### 1. Introduction

---

This manual provides detailed instructions for the installation, operation, and maintenance of your RBROHANT Matte Black Shower System with Tub Spout, Model JK0300. Please read this manual thoroughly before installation and retain it for future reference. Proper installation and care will ensure optimal performance and longevity of your shower system.

### 2. Safety Information

---

**Important:** Always turn off the main water supply before beginning any plumbing work. It is recommended that installation be performed by a qualified plumber to ensure proper function and compliance with local codes. Wear appropriate personal protective equipment, such as safety glasses and gloves, during installation. Inspect all components for damage before installation. Do not use harsh chemicals or abrasive cleaners on the matte black finish.

### 3. Package Contents

---

Verify that all components listed below are present in your package:

- 10-inch Round Rain Shower Head (304 stainless steel)
- 13 3/4-inch Shower Arm (solid brass, Flange Included)
- Handheld Sprayer and Holder (solid brass)
- 59-inch Shower Hose (304 stainless steel)
- Wall Supply Elbow (brass)
- Shower Mixer Rough-in Valve (solid brass)
- Handle Trim Kit (Zinc Alloy)
- 7 1/2-inch Tub Spout (solid brass, Flange Included)
- Necessary Screws Tool Kit

- User Manual (this document)

**RBROHANT®**

# Accessories List



Figure 3.1: All components included in the RBROHANT Matte Black Shower System package.

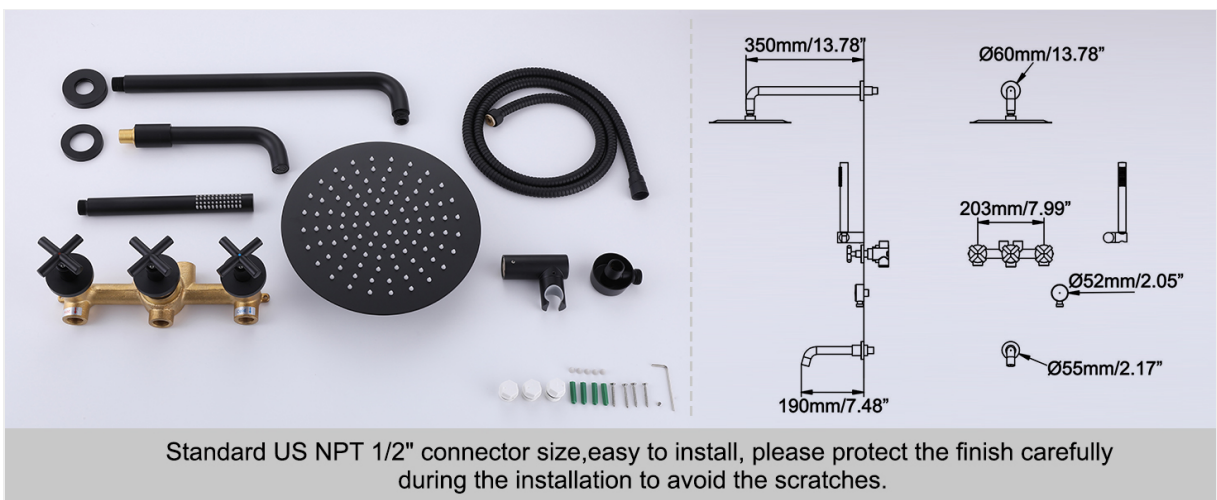


Figure 3.2: Detailed view of accessories and their standard NPT 1/2 inch connector sizes.

## 4. Specifications

Feature	Specification
Brand	RBROHANT
Model Number	JK0300
Color	Matte Black
Material	Brass (Valve, Shower Arm, Handheld, Tub Spout, Wall Elbow), 304 Stainless Steel (Rain Shower Head, Hose), Zinc Alloy (Handle Trim Kit)
Finish Type	Matte Black
Number of Handles	3
Mounting Type	Wall Mount
Rain Shower Head Size	10 inches (Round)
Shower Hose Length	59 inches
Tub Spout Reach	7 1/2 inches
Connector Size	Standard NPT 1/2 inch (Compatible with American and Canada plumbing)
Item Weight	10.89 pounds
Product Dimensions	17.5 x 13.6 x 5.7 inches (Packaging)

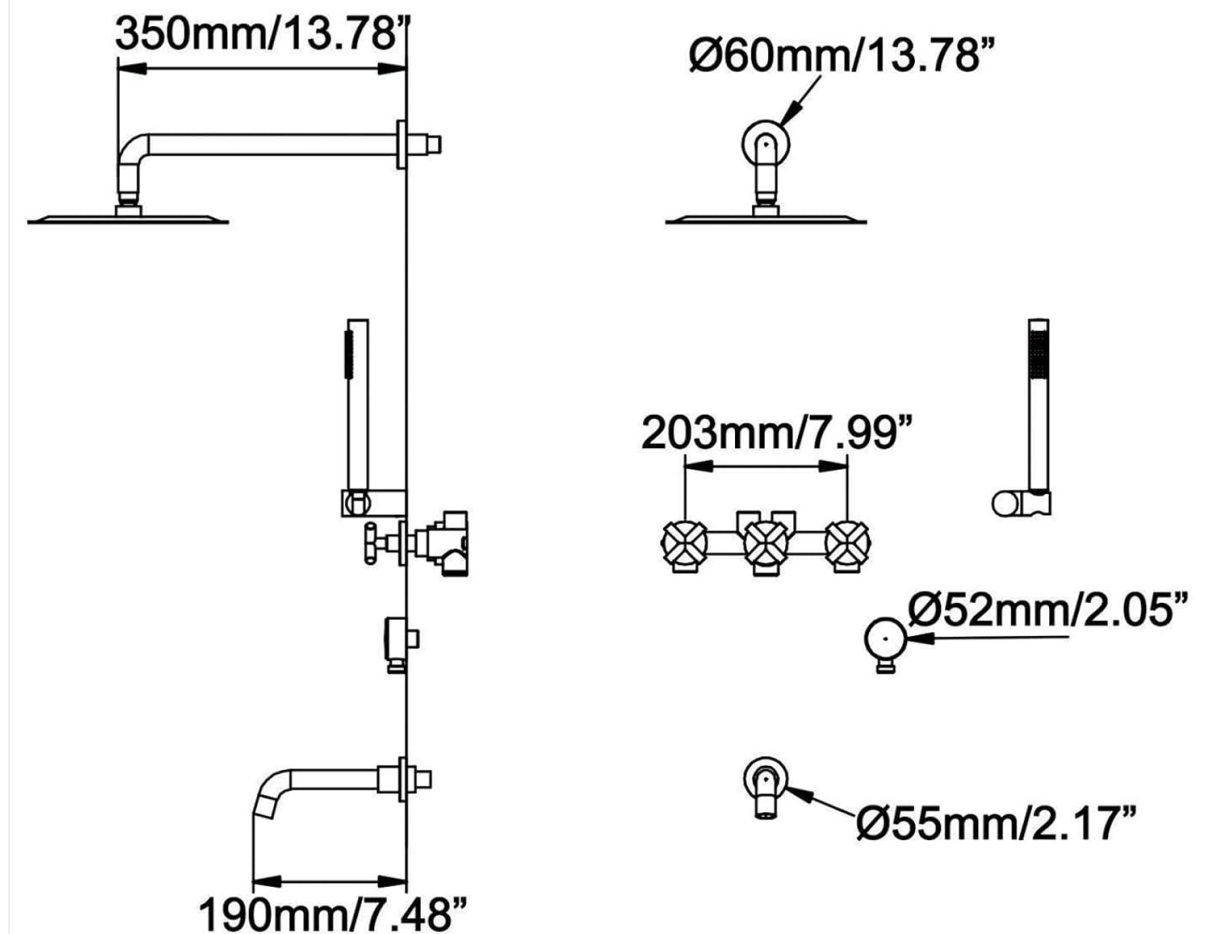


Figure 4.1: Dimensional drawing of the shower system components, including shower head, arm, rough-in valve, and tub spout.

## 5. Installation Guide

This section outlines the steps for installing your RBROHANT shower system. Ensure you have all necessary tools and have turned off the main water supply before proceeding.

### 5.1. Pre-Installation

- Confirm that your plumbing is compatible with standard NPT 1/2 inch connectors.
- Clear the installation area and protect the surrounding surfaces.
- Unpack all components and verify against the package contents list.

### 5.2. Rough-in Valve Installation

The solid brass rough-in valve is the core of your shower system, controlling water flow and temperature. It features separate hot and cold water cartridges and a 3-in-1 water diverter.

1. Position the rough-in valve within the wall according to your desired shower layout and local plumbing codes.
2. Connect the hot and cold water supply lines to the designated inlets on the valve.
3. Connect the outlets for the rain shower head, handheld shower, and tub spout to their respective lines. Ensure all connections are secure and watertight.

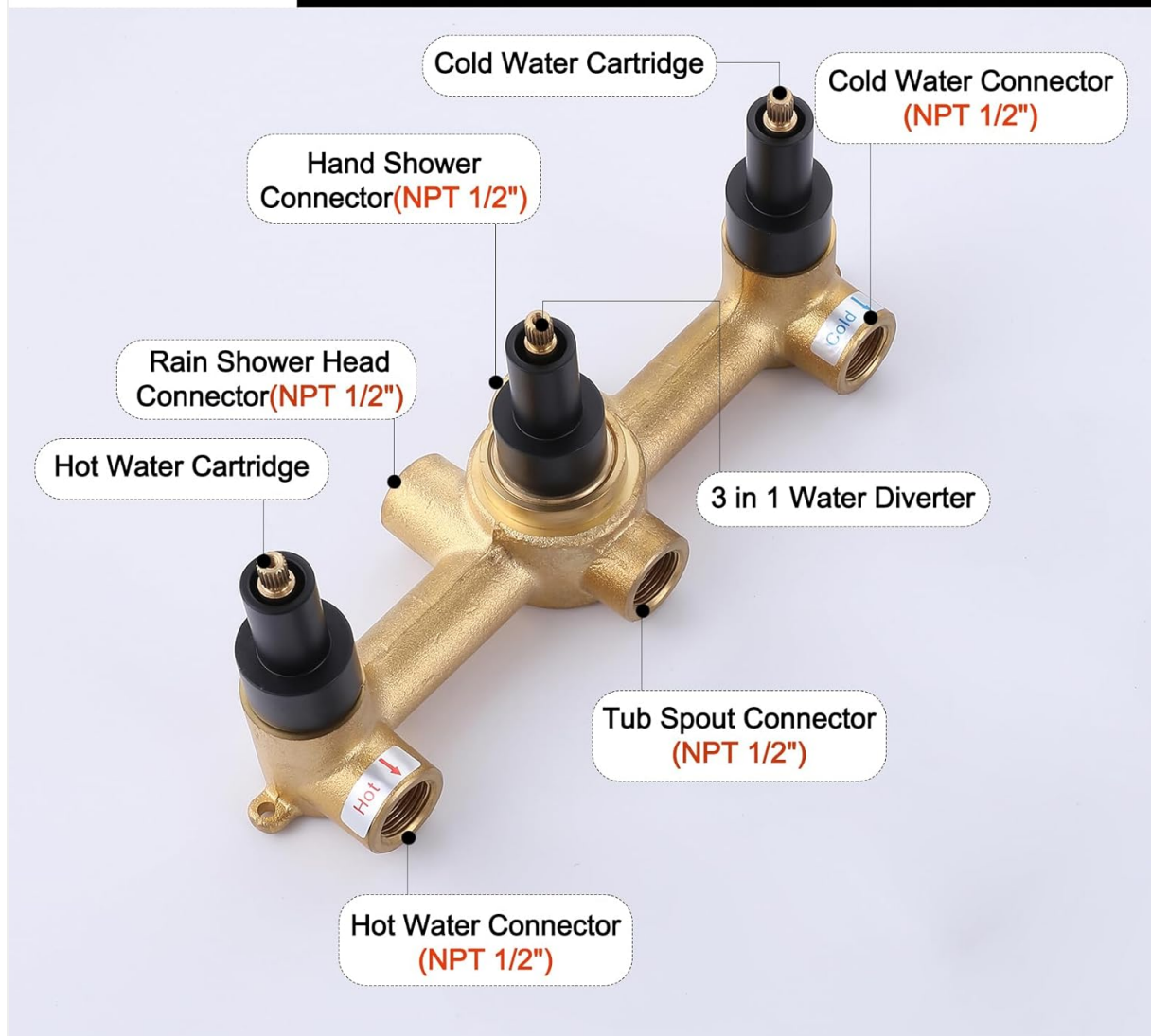


Figure 5.1: Detailed view of the rough-in valve, showing connections for hot water, cold water, rain shower head, handheld shower, and tub spout.

### 5.3. Shower Arm and Rain Shower Head Installation

1. Thread the shower arm into the wall outlet, ensuring it is securely tightened. Apply plumber's tape to threads for a watertight seal.
2. Attach the flange to cover the wall opening.
3. Screw the 10-inch round rain shower head onto the shower arm. The shower head features 360-degree adjustability for flexible positioning.



Figure 5.2: The 10-inch round rain shower head and shower arm.

#### 5.4. Handheld Sprayer and Wall Supply Elbow Installation

1. Install the wall supply elbow to the designated outlet from the rough-in valve. This elbow allows the handheld sprayer to reach farther and offers flexibility.
2. Connect one end of the 59-inch shower hose to the wall supply elbow.
3. Connect the other end of the shower hose to the handheld sprayer.
4. Mount the handheld sprayer holder to the wall at a convenient height. The holder is angle adjustable.



Figure 5.3: The wall supply elbow for the handheld shower.



Figure 5.4: The 59-inch shower hose.

## 5.5. Tub Spout Installation

1. Thread the 7 1/2-inch tub spout onto its designated outlet from the rough-in valve. Ensure it is securely tightened and properly aligned.
2. Attach the flange to cover the wall opening.

**Post-Installation Check:** Once all components are installed, slowly turn on the main water supply and check for any leaks. Operate each function (rain shower, handheld, tub spout) to ensure proper water flow and temperature control.

## 6. Operation

---

Your RBROHANT shower system offers three functional outputs: a rain shower head, a handheld sprayer, and a tub spout. The system is controlled by three handles on the trim kit.

### 6.1. Temperature Control

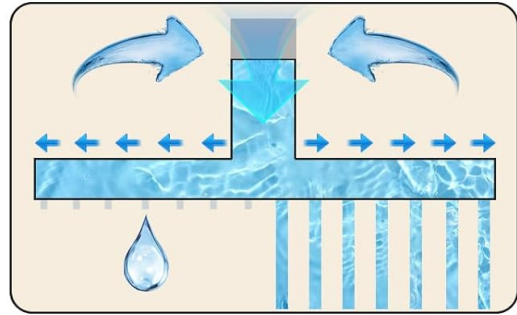
The two outer handles control the hot and cold water supply. Turn the left handle for hot water and the right handle for cold water. Adjust both handles to achieve your desired water temperature. The ergonomic cross-knob design provides a secure grip.

### 6.2. Water Mode Selection (Diverter)

The center handle acts as a 3-way diverter, allowing you to switch between the rain shower head, handheld sprayer, and tub spout. Rotate the center handle to select the desired water outlet.

### 6.3. Rain Shower Head

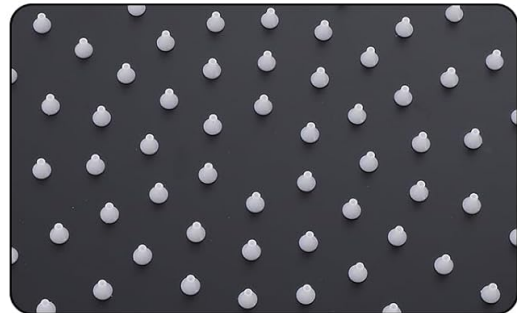
The 10-inch rain shower head utilizes Air-in technology to mix air and water, providing a high-pressure, full-body shower experience while conserving water. The shower head is 360-degree adjustable for optimal positioning.



Air-in Technology, Higher Pressure



360° Adjustable, More Flexible



Silicone Nozzles, Easier Cleaning

Figure 6.1: Features of the 10-inch rain shower head, including Air-in technology for higher pressure and silicone nozzles for easy cleaning.

#### 6.4. Handheld Sprayer

The handheld sprayer with its 59-inch hose offers versatility for targeted rinsing, cleaning, or showering without wetting your hair. The holder allows for angle adjustment.



Figure 6.2: The handheld sprayer can be adjusted to various angles.

## 6.5. Tub Spout

The 7 1/2-inch tub spout is designed for quickly filling a bathtub. It features a 360-degree rotatable design for convenience.



Figure 6.3: The tub spout with a 7 1/2 inch reach.

Your browser does not support the video tag.

Video 6.1: Demonstration of the RBROHANT shower system's features and water flow from the rain shower head, handheld, and tub spout.

## 7. Maintenance and Care

To maintain the matte black finish and ensure the longevity of your RBROHANT shower system, follow these care instructions:

- **Cleaning:** Clean the surface with a soft cloth and mild soap or a non-abrasive liquid cleaner. Rinse thoroughly with water and dry with a soft cloth to prevent water spots.
- **Avoid Harsh Cleaners:** Do not use abrasive cleaners, scouring pads, ammonia-based cleaners, or any cleaners containing bleach, acids, or alcohol, as these can damage the finish.
- **Silicone Nozzles:** The rain shower head features silicone nozzles. To remove mineral buildup, gently rub the nozzles with your finger or a soft brush.
- **Regular Inspection:** Periodically check all connections for tightness and signs of wear.

## 8. Troubleshooting

This section addresses common issues you might encounter with your shower system.

Problem	Possible Cause	Solution
Low Water Pressure	Clogged shower head nozzles; partially closed shut-off valve; mineral buildup in pipes.	Clean shower head nozzles. Ensure shut-off valves are fully open. Consult a plumber if mineral buildup is suspected.

Problem	Possible Cause	Solution
Leaks from Connections	Loose connections; worn O-rings or gaskets; improper application of plumber's tape.	Tighten connections. Replace O-rings or gaskets if damaged. Reapply plumber's tape as needed.
Water Temperature Issues	Improper adjustment of hot/cold handles; issue with water heater.	Adjust hot and cold handles on the trim kit. Check your water heater settings.
Diverter Not Switching Properly	Debris in diverter mechanism; worn diverter cartridge.	Flush the system. If the problem persists, the diverter cartridge may need replacement. Contact customer support.

## 9. Warranty and Customer Support

RBROHANT stands behind the quality of its products. Your shower system is covered by a **Lifetime Warranty**.

- **Free Replacement:** In case of any manufacturing defects or functional issues, RBROHANT offers free replacement parts.
- **Parts Customization:** For specific needs, parts customization may be available.
- **Responsive Support:** If you encounter any problems with your shower tub combo set, please do not hesitate to contact RBROHANT customer service. We aim to respond within 24 hours.



Figure 9.1: RBROHANT customer-oriented services.

For assistance, please refer to the contact information provided with your purchase or visit the official RBROHANT website.