

SMETA DMB80-20LBMME

SMETA Built-in Microwave Oven DMB80-20LBMME Instruction Manual

Model: DMB80-20LBMME | Brand: SMETA

1. IMPORTANT SAFETY INFORMATION

Read all instructions carefully before using the appliance and keep them for future reference. Always follow basic safety precautions to reduce the risk of fire, electric shock, injury to persons, or exposure to excessive microwave energy.

- **Microwave Energy Warning:** Do not attempt to operate this oven with the door open or if the door is damaged. Do not remove the outer casing or any protective covers.
- **Hot Surface Caution:** The exterior surfaces of the microwave oven can become hot during and after operation, especially when using the grill function. Exercise caution to avoid burns.
- **Electrical Safety:** Ensure the appliance is properly grounded. Do not immerse the power cord, plug, or the appliance in water or other liquid.
- **Child Safety:** This appliance is not intended for use by persons (including children) with reduced physical, sensory or mental capabilities, or lack of experience and knowledge, unless they have been given supervision or instruction concerning use of the appliance by a person responsible for their safety. Children should be supervised to ensure that they do not play with the appliance.
- **Proper Use:** Only use utensils suitable for microwave ovens. Do not heat sealed containers, as they may explode.

2. PRODUCT OVERVIEW

The SMETA Built-in Microwave Oven (Model DMB80-20LBMME) combines microwave and grill functions in a sleek, integrated design. It features an 800W microwave, a 1000W grill, a 20-liter capacity, and a user-friendly touch screen interface with a rotary knob for precise control.



Image: The SMETA Built-in Microwave Oven seamlessly integrated into a kitchen cabinet.

Key Features:

- **800W Microwave Power:** Efficient heating and cooking.
- **1000W Grill Function:** For browning and crisping dishes.
- **20-Liter Capacity:** Ample space for various dishes.
- **Touch Screen Control:** Modern and intuitive interface.
- **8 Automatic Programs:** Pre-configured settings for common foods like pizza, meat, vegetables, pasta, potatoes, fish, beverages, and popcorn.
- **5 Power Levels:** Customizable cooking intensity.
- **Defrost Function:** Smart defrosting options by weight or time.
- **Interior Lighting:** For clear visibility during cooking.
- **Easy Clean Interior:** Gray internal coating for effortless maintenance.

3. INSTALLATION

This microwave oven is designed for built-in installation. Ensure proper ventilation and follow the provided dimensions for cabinet integration. A trim kit is included for a seamless finish.

Installation Dimensions:

- **Product Dimensions (D x W x H):** 34.3 cm x 49.5 cm x 38.8 cm (13.5 x 19.5 x 15.3 inches)
- **Required Cabinet Opening (W x H):** Approximately 56 cm x 38 cm (refer to diagram for precise measurements and depth).

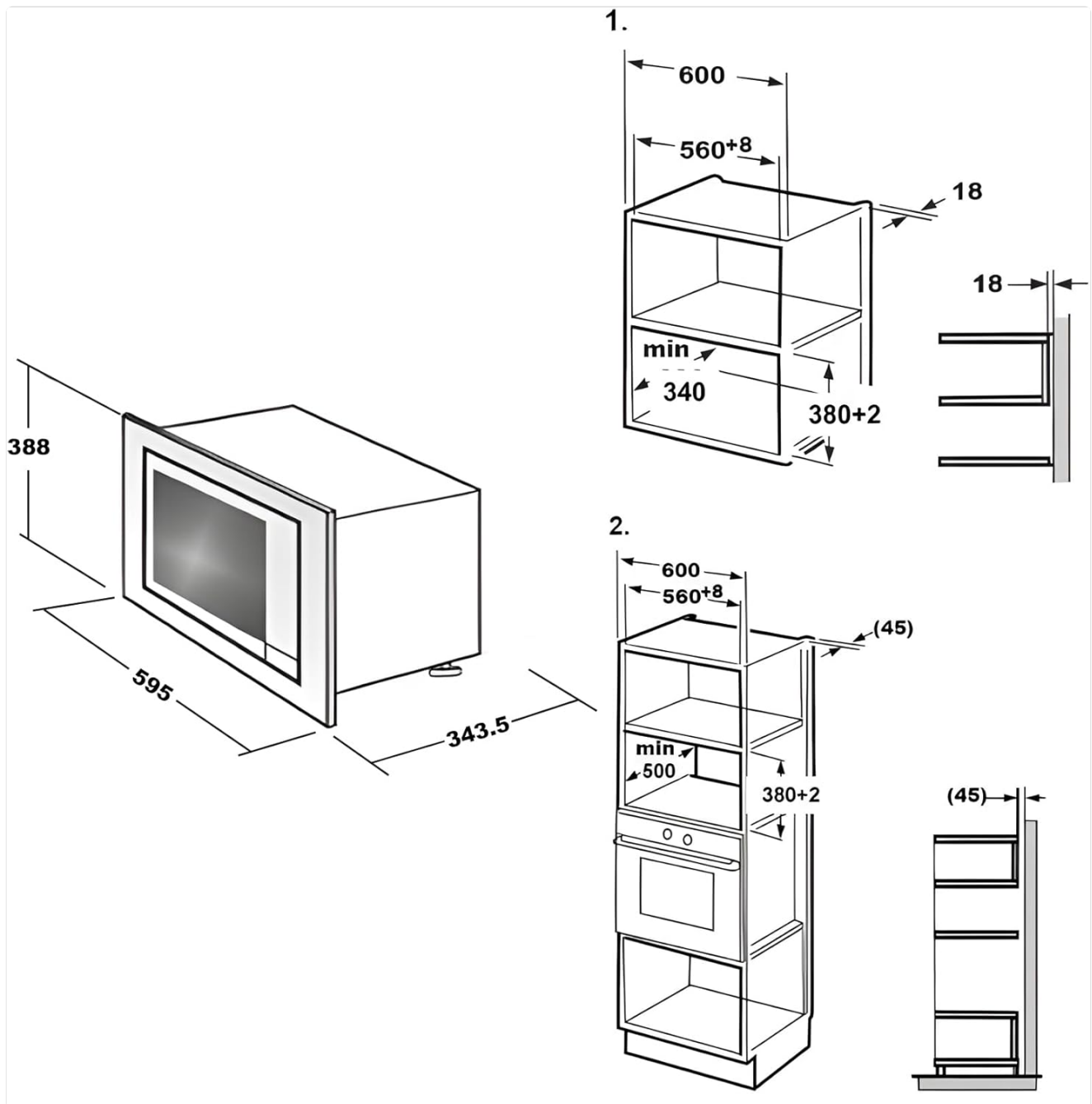


Image: Detailed installation diagram with recommended cabinet dimensions for the microwave.

For detailed installation steps, consult the separate installation guide provided with your appliance. Ensure the appliance is installed by a qualified technician to prevent electrical hazards.

4. OPERATING INSTRUCTIONS

The SMETA Built-in Microwave Oven offers various cooking modes and functions for versatile meal preparation. Familiarize yourself with the control panel for optimal use.



Image: The control panel featuring touch buttons and a rotary knob for setting time and power.

Basic Operation:

- Place Food:** Open the microwave door by pressing the door release button. Place food in a microwave-safe container on the glass turntable.
- Close Door:** Ensure the door is securely closed.
- Set Cooking Time/Power:**
 - For microwave cooking, select the desired power level (1-5) using the appropriate button or rotary knob.
 - Rotate the knob to set the cooking time.
- Start Cooking:** Press the Start/+30 sec/Confirm button to begin cooking.

5. **Pause/Cancel:** Press the Stop/Cancel button to pause or stop the cooking process.

Special Functions:

- **Grill Function (1000W):** Use the grill function for browning and crisping. Place food on the included grill rack. Select the grill mode and set the desired time.
- **Automatic Programs (8 Menus):** The microwave features 8 pre-set auto menus for convenience. Select the auto menu button and then choose from options like Pizza, Meat, Vegetable, Pasta, Potato, Fish, Beverage, and Popcorn. The oven will automatically set the optimal cooking time and power.
- **Defrost by Weight/Time:** Select the defrost function and choose between defrosting by weight or by time. Follow the on-screen prompts to enter the weight or duration.
- **Timer Function:** Use the timer for general kitchen timing, independent of cooking functions.



Image: Visual representation of the 8 automatic cooking programs available.



Image: Illustration of the 5 adjustable power levels for microwave cooking.

Operational Video:

Your browser does not support the video tag.

Video: This video demonstrates the preparation of food, placing it into the microwave, setting the cooking time, and the easy cleaning process of the interior.

5. MAINTENANCE AND CLEANING

Regular cleaning ensures the longevity and hygienic operation of your microwave oven. The gray internal coating is designed for easy cleaning.

- **Interior Cleaning:** After each use, wipe the interior with a damp cloth and mild detergent. For stubborn stains, a microwave-safe cleaner can be used. Ensure the interior is dry before closing the door.
- **Turntable and Grill Rack:** The glass turntable and grill rack can be removed and washed with warm soapy water or in a dishwasher.
- **Exterior Cleaning:** Wipe the exterior surfaces with a soft, damp cloth. Avoid abrasive cleaners or scouring pads that could scratch the finish.
- **Door Seal:** Regularly clean the door seals and adjacent parts to remove any spills or food debris.



Image: Demonstrating the easy cleaning of the microwave's interior with a soft cloth.

6. TROUBLESHOOTING

If you encounter issues with your microwave oven, refer to the following common problems and solutions before contacting customer support.

Problem	Possible Cause	Solution
Oven does not start.	Door not closed properly; Power cord unplugged; Fuse blown or circuit breaker tripped.	Ensure door is firmly closed. Check power cord connection. Check household fuse/circuit breaker.
Food not heating.	Incorrect power level or cooking time set; Microwave-safe dish not used.	Adjust power level and cooking time. Use appropriate microwave-safe cookware.
Sparking inside oven.	Metal or foil in oven; Food residue on interior walls.	Remove any metal objects. Clean the oven interior thoroughly.
Turntable not rotating.	Turntable not correctly placed; Obstruction under turntable.	Ensure turntable is correctly seated on the support. Remove any obstructions.

If the problem persists after trying these solutions, please contact customer support.

7. SPECIFICATIONS

Detailed technical specifications for the SMETA Built-in Microwave Oven Model DMB80-20LBMME.

Feature	Detail
Brand	SMETA
Model Number	DMB80-20LBMME
Product Dimensions (D x W x H)	34.3P x 49.5I x 38.8H cm (13.5 x 19.5 x 15.3 inches)
Color	Black
Capacity	20 Liters
Microwave Power	800 Watts
Grill Power	1000 Watts
Number of Power Levels	5
Number of Programs	8 Automatic Programs
Control Type	Touch (with rotary knob)
Voltage	220 Volts (AC)
Installation Type	Built-in
Material	Glass and Steel
Item Weight	15 Kilograms (33.1 lbs)
Turntable Diameter	24.5 Centimeters (9.6 inches)
Included Components	Grill rack and turntable

8. WARRANTY AND SUPPORT

Your SMETA Built-in Microwave Oven is covered by a comprehensive warranty and dedicated customer support.

- **Warranty:** Our microwaves are covered by a one-year warranty.
- **Customer Support:** We respond to after-sales questions within 24 hours. For assistance, please contact SMETA customer service via the retailer where you purchased the product or visit the official SMETA website for contact details.

Please retain your proof of purchase for warranty claims.

