

[Manuals.plus](#) /

> [YATOINTO](#) /

> YATOINTO Portable Drill Winch YBW-1000 Instruction Manual

YATOINTO YBW-1000

YATOINTO Portable Drill Winch (1000LB)

Model: YBW-1000

1. INTRODUCTION

Thank you for choosing the YATOINTO Portable Drill Winch. This manual provides essential information for the safe and effective operation, maintenance, and troubleshooting of your winch. Please read this manual thoroughly before use and retain it for future reference.

This portable drill winch is designed for lifting and dragging tasks with a maximum pulling capacity of 1000 lbs. It features a 40-foot alloy steel wire rope and is powered by a standard portable drill (not included).

APPLICATIONS

This product is widely used for towing vehicles, hauling goods, tightening ropes, etc.



Image 1.1: YATOINTO Portable Drill Winch. This image shows the overall design of the red portable drill winch with its integrated handle and wire rope.

2. SAFETY INFORMATION

WARNING: Failure to follow these safety instructions may result in serious injury or property damage.

- Always wear appropriate personal protective equipment, including gloves and eye protection, when operating the winch.
- Ensure the winch is securely anchored before applying any load.
- Do not exceed the maximum pulling capacity of 1000 lbs.
- Inspect the wire rope for frays, kinks, or damage before each use. Do not use if damaged.
- Keep hands and loose clothing away from moving parts, especially the wire rope and drum.
- Ensure the drill is securely attached and operating correctly.
- Never use the winch to lift or transport people.
- Maintain a safe distance from the load and the wire rope during operation.

- Be aware of your surroundings and potential hazards.

3. PRODUCT OVERVIEW AND COMPONENTS

The YATOINTO Portable Drill Winch is designed for ease of use and durability. Key components include:

- **Main Unit:** Houses the internal gears and wire rope drum.
- **Handle:** Ergonomic grip for carrying and stability during operation.
- **Wire Rope:** 40 feet of high-quality alloy steel wire, 3/20" diameter.
- **Safety Traction Hook:** Equipped with a safety latch to prevent accidental disengagement.
- **Free-Spool Clutch Knob:** Allows for manual release and winding of the rope.
- **5/16" Standard Drive Shaft:** Connects to your portable drill for powered operation.
- **Visual Window:** A transparent window allows observation of the wire rope on the drum.

PRODUCT DETAILS

Every exquisite detail ensures your safety and efficiency

1000LBS



360° ROTATING HOOKS



Not only easy to use, but also very strong

ROOP HOOK



Easy to link the tow rope, drag chain, etc., so that your work is smooth and silky

STAINLESS STEEL ROPE



Tight structure, 3/20"×40Feet



Durable



Corrosion resistance



Convenient



Image 3.1: Detailed view of product features including 360-degree rotating hooks, the rope hook, and the stainless steel wire rope.



5/16" STANDARD SHAFT

Our Winch is powered by standard portable drill (not included).

VISUAL GEAR BOX

The winch has a transparent window under the handle that allows you to observe the internal winch.



Image 3.2: Close-up of the 5/16" standard drive shaft for drill attachment and the visual window for observing the internal wire rope.

FREE-SPOOL CLUTCH

To unlock, just pull out the knob and turn clockwise to turn freely. Instead, simply pull the knob and turn counter clock wise to lock the drive rod completely.



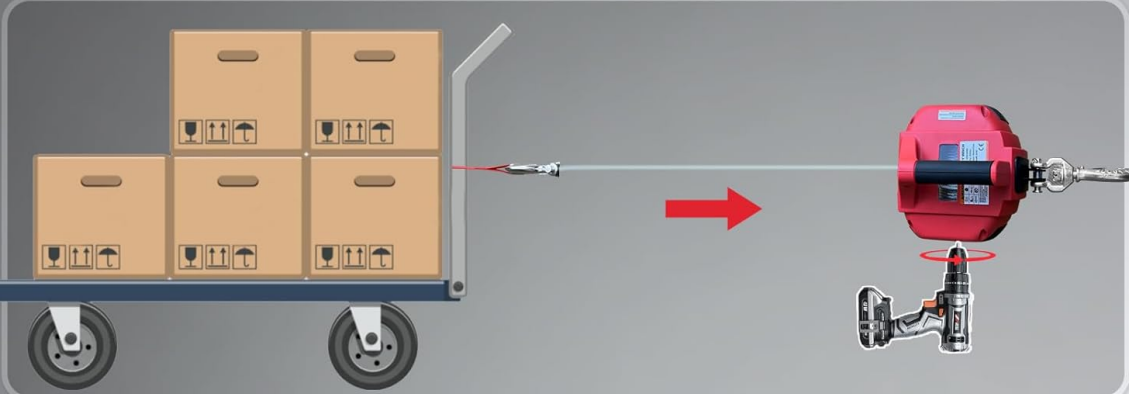
Image 3.3: Illustration of the free-spool clutch knob. Pulling the knob and turning clockwise allows free rotation, while turning counter-clockwise locks the drive rod.

4. SETUP

1. **Prepare the Winch:** Ensure the winch is on a stable surface.
2. **Release Rope:** Pull out the free-clutch knob and rotate it clockwise to allow the wire rope to free-spool. Pull out the desired length of rope.
3. **Attach to Load:** Securely attach the safety traction hook to the item you intend to move. Ensure the safety latch is closed.
4. **Attach Drill:** Insert the 5/16" standard drive shaft of the winch into the chuck of your portable drill. Tighten the drill chuck securely.
5. **Lock Clutch:** Pull the free-clutch knob and turn it counter-clockwise to fully lock the clutch lever. This engages the winch mechanism for powered operation.

HOW TO USE

EASY TO USE, PORTABLE, AND SAFE



STEP-1 Pull the knob, release rope and attach fixed the item to be moved.

STEP-2 Attached 5/16 drill to the winch.

STEP-3 Wind the rope back onto the reel and pull the object.

NOTE: Load is required when tighten the steel wire rope!

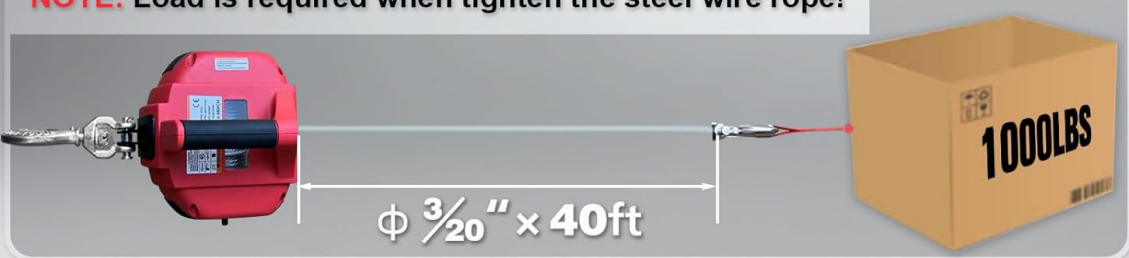


Image 4.1: Visual guide for setting up and using the winch, showing the steps to release the rope, attach the drill, and pull the object.

5. OPERATION

Once the winch is set up and the drill is attached:

1. **Engage Drill:** Slowly press the trigger on your portable drill to begin winding the wire rope and pulling the load.
2. **Monitor Rope:** Observe the wire rope through the visual window to ensure it spools evenly onto the drum.
3. **Control Speed:** Use the drill's variable speed trigger to control the pulling speed.
4. **Stop Operation:** Release the drill trigger to stop the pulling action. The clutch will hold the load.
5. **Release Load (if needed):** To release the load, ensure the area is clear and safe. Pull the free-clutch knob and rotate it clockwise to allow the rope to unwind. Maintain control of the load during release.

Your browser does not support the video tag.

Video 5.1: This video demonstrates the basic operation of the YATOINTO mini drill winch, showing how to attach a drill and use it to wind the cable.

Your browser does not support the video tag.

Video 5.2: This video provides an overview of the YATOINTO Portable Drill Winch, highlighting its features and how it functions with a drill.

6. MAINTENANCE

- **Regular Inspection:** Before each use, inspect the entire winch, including the housing, wire rope, and hooks, for any signs of wear, damage, or corrosion.
- **Wire Rope Care:** Keep the wire rope clean and free of debris. If the rope shows signs of fraying, kinking, or severe wear, it must be replaced.
- **Lubrication:** Periodically apply a light lubricant to moving parts, such as the clutch mechanism, to ensure smooth operation. Avoid over-lubrication.
- **Storage:** Store the winch in a clean, dry place away from direct sunlight and extreme temperatures. Ensure the wire rope is neatly spooled on the drum before storage.
- **Cleaning:** Clean the exterior of the winch with a damp cloth. Do not use harsh chemicals or abrasive cleaners.

7. TROUBLESHOOTING

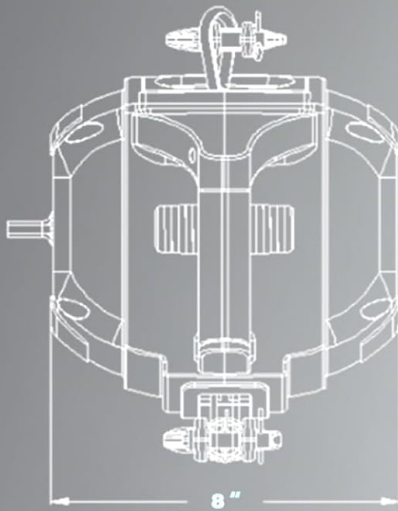
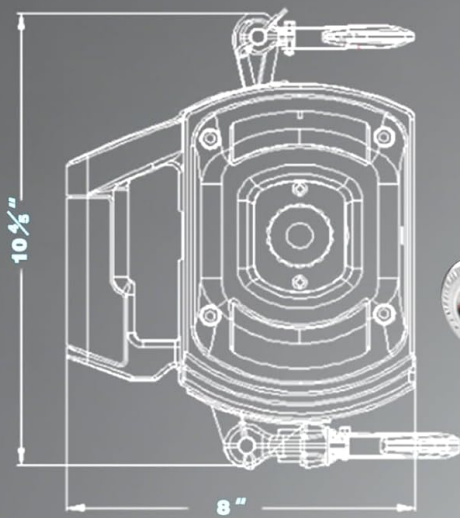
Problem	Possible Cause	Solution
---------	----------------	----------

Problem	Possible Cause	Solution
Winch not pulling load	Clutch not fully engaged; Drill not powerful enough; Overload; Damaged gears.	Ensure clutch knob is turned counter-clockwise to lock. Use a drill with sufficient torque. Reduce load. Inspect for internal damage (refer to professional if needed).
Wire rope not spooling evenly	Improper tension; Obstruction.	Maintain slight tension on the rope during winding. Check for and remove any obstructions.
Winch is locked/stuck	Internal gear misalignment or damage (e.g., cracked casing).	Do not force. Disengage clutch if possible. If internal damage is suspected, discontinue use and contact customer support.
Excessive noise during operation	Lack of lubrication; Internal wear or damage.	Apply lubricant to moving parts. If noise persists, discontinue use and inspect for internal issues.

8. SPECIFICATIONS

Feature	Specification
Model Number	YBW-1000-R
Pulling Capacity	Up to 1000 LBS
Wire Rope Length	40 feet
Wire Rope Diameter	3/20 inches
Drive Shaft Size	5/16 inches
Product Dimensions	10.8 x 8 x 8 inches
Item Weight	14.37 pounds
Gearbox Type	Free-Spooling Clutch

PARAMETERS



Capacity: within 1000 LBS

Wire Rope: ϕ 3/20"x40ft

GearBox: Free-Spooling Clutch

Product Dimension: 10.8x8x8 inch

N.W/G.W: 5.3/6.6 kg

Packing: 31*26.5*25.5 cm

Image 8.1: Technical diagram showing the dimensions and key parameters of the winch.

9. WARRANTY AND SUPPORT

YATOINTO provides an after-sales guarantee for this product. If you encounter any questions or issues regarding your drill winch, please contact us through the Amazon platform. We are committed to providing satisfactory customer service.

For further assistance, please refer to the contact information provided with your purchase or visit the official YATOINTO store on Amazon.