

## Rovibek 3-in-1 Convertible Sofa Bed (Grey)

# Rovibek 3-in-1 Convertible Sofa Bed Instruction Manual

**Brand:** Rovibek | **Model:** 3-in-1 Convertible Sofa Bed (Grey)

## 1. INTRODUCTION AND OVERVIEW

Thank you for choosing the Rovibek 3-in-1 Convertible Sofa Bed. This versatile furniture piece is designed to adapt to your living space, functioning as a comfortable sofa, a relaxing chaise lounge, or a full-size sleeper bed. It features a durable frame, high-density foam cushioning, an adjustable backrest, a convenient side table, and practical storage pockets. This manual provides essential information for assembly, operation, maintenance, and safety to ensure optimal use and longevity of your product.

### Rovibek 3 In 1 Convertible Sleeper Sofa Bed

perfect for your living room, dorm, apartment and home office.

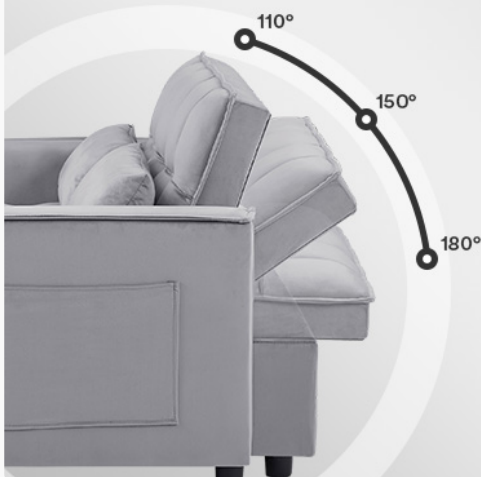


Image: The Rovibek 3-in-1 Convertible Sofa Bed in its sofa configuration, showcasing the extended side table and overall

## 2. SAFETY INFORMATION

Please read and adhere to the following safety guidelines to prevent injury or damage:

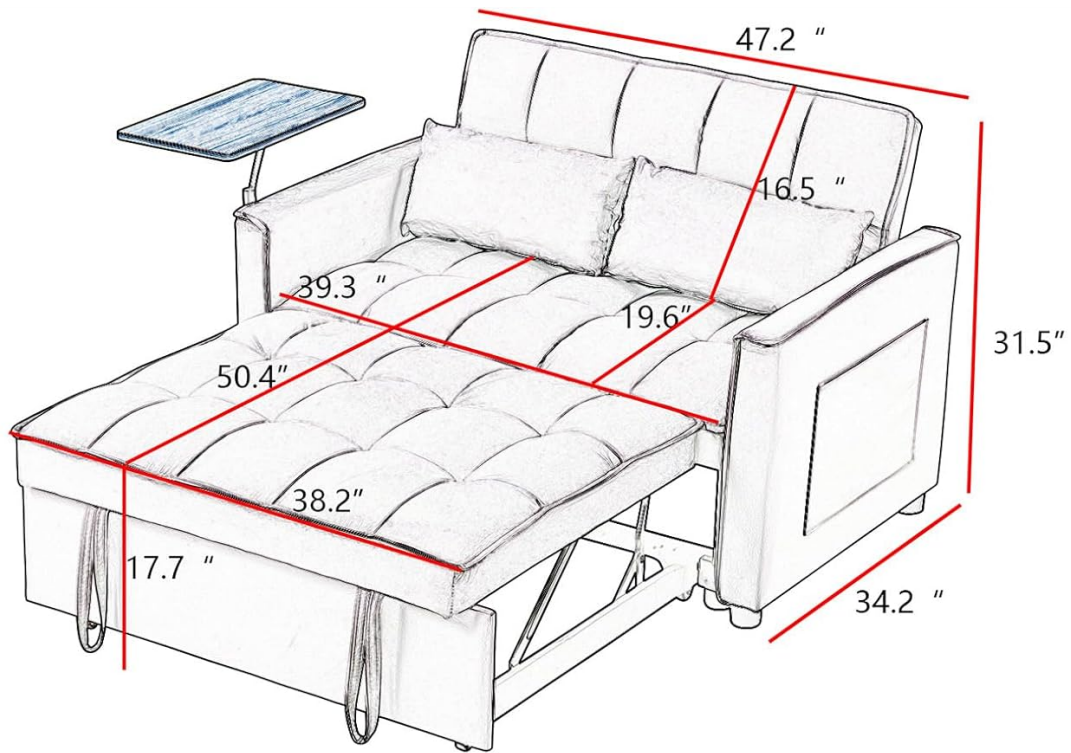
- Always supervise children and pets around the sofa to prevent entrapment or injury.
- Keep fingers and loose clothing away from moving parts during conversion.
- Do not place heavy objects on the side table to prevent tipping.
- Ensure the sofa bed is placed on a flat, stable surface.
- Do not exceed the maximum weight capacity of 500 lbs.

## 3. SETUP AND ASSEMBLY

Your Rovibek 3-in-1 Convertible Sofa Bed requires assembly. All necessary hardware and clear instructions are included to ensure a hassle-free setup. It is recommended to have two people for assembly.

### 3.1 Package Contents

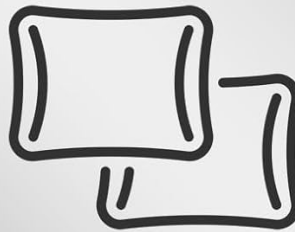
Verify that all components are present before beginning assembly. Refer to the image below for a visual guide of included parts and dimensions.



## Package Includes



1\* Convertible  
Sofa Bed



2\* Pillows



1\* Adjustable  
Side table

Image: Product dimensions and a list of included items: 1 Convertible Sofa Bed, 2 Pillows, and 1 Adjustable Side Table.

### 3.2 Assembly Steps

Follow the detailed instructions provided in the included manual. For a visual guide, please refer to the assembly video below.

Your browser does not support the video tag.

Video: A detailed installation guide for a sofa bed, demonstrating step-by-step assembly of the frame and cushions.

Your browser does not support the video tag.

Video: An overview of the SEJOV Sleeper Sofa Bed, including assembly and conversion features.

## 4. OPERATING INSTRUCTIONS

### 4.1 Converting Sofa to Bed/Chaise

The sofa is equipped with a pull-out bed mechanism. Use the two auxiliary hand straps located at the front to easily pull out the bed section. This allows for quick conversion from a loveseat to a chaise lounge or a full sleeping bed.

## 3 in 1 Convertible Sleeper Sofa Bed



*Seat*



*Recliner*



*Bed*

Image: Visual representation of the 3-in-1 functionality: Seat, Recliner, and Bed modes.

Your browser does not support the video tag.

Video: Demonstration of converting the 3-in-1 sleeper sofa bed from sofa to bed configuration.

Your browser does not support the video tag.

Video: Quick demonstration on how to convert the sofa into a pull-out couch.

Your browser does not support the video tag.

Video: Short tips for converting the sofa to a bed.

### 4.2 Adjustable Backrest

The backrest can be adjusted to three different angles: 105°, 138°, and 180°. This allows you to find the most comfortable position for sitting, lounging, or sleeping.

# 3 Levels Adjustable Backrest



Image: Illustration of the three adjustable backrest positions for various activities.

## 4.3 Adjustable Side Table

The sofa bed includes an adjustable side table that provides a flat surface for drinks, books, or electronic devices. The position of the side table can be adjusted to the front or side of the sofa as needed.

## 4.4 Storage Pockets

Convenient side storage pockets are integrated into the design, perfect for keeping essentials like TV remotes, cell phones, glasses, or books within easy reach.



**Adjustable Side Table**  
make your work and life  
more convenient



**Storage Pockets**  
perfect for keeping essentials  
within arm's reach



Image: Close-up views of the adjustable side table and the integrated storage pockets.

## 5. MAINTENANCE

To maintain the quality and appearance of your sofa bed, follow these care instructions:

- **Cleaning:** Wipe clean with a dry cloth. Avoid harsh chemicals or abrasive cleaners.
- **Spills:** Blot spills immediately with a clean, dry cloth. Do not rub.
- **General Care:** Regularly vacuum the fabric to remove dust and debris. Fluff cushions periodically to maintain their shape and comfort.

## 6. TROUBLESHOOTING

If you encounter any issues with your Rovibek 3-in-1 Convertible Sofa Bed, please refer to the assembly instructions for common solutions. For further assistance, contact customer support.

## 7. SPECIFICATIONS

Feature	Detail
Frame Material	Solid Wood + Manufactured Wood
Cover Material	Velvet
Filler	Foam
Weight Capacity	500 LBS
Adjustable Backrest Levels	3 (105°, 138°, 180°)
Assembly Required	Yes
Seat Depth	20 inches
Seating Capacity	2
Product Dimensions	67"D x 39"W x 17.7"H
Item Weight	80 Pounds
Color	Grey
Included Components	Hardware, 2 Throw Pillows
Additional Features	Adjustable Backrest, Convertible, Easy to Assemble
Item Firmness Description	Firm
Upholstery Fabric Type	Velvet
Product Care Instructions	Wipe Clean with Dry Cloth

# Velvet Sofa Bed



**comfortable & not easy  
to wrinkle**



**Thickened & High Elasticity  
& Foam Filling**

Image: Details of the soft velvet fabric and thickened high-elasticity foam filling.

## 8. WARRANTY AND SUPPORT

For information regarding warranty coverage or to obtain customer support, please refer to the product packaging or contact the manufacturer directly. Keep your purchase receipt for any warranty claims.