



[Manuals.plus](#) /

› [4BLANC](#) /

› 4BLANC MAESTRO Ultimate Protection Station User Manual

4BLANC MAESTRO

4BLANC MAESTRO Ultimate Protection Station User Manual

Model: MAESTRO

INTRODUCTION

The 4BLANC MAESTRO Ultimate Protection Station is designed to provide a clean and safe workspace for nail professionals during pedicure and manicure services. It features advanced dust separation, medical-grade air filtration, UV disinfection, adjustable LED lighting, and a flexible positioning system.

This manual provides essential information for the proper setup, operation, and maintenance of your 4BLANC MAESTRO device. Please read it thoroughly before first use and keep it for future reference.

WHAT'S IN THE BOX

Carefully unpack the contents and ensure all items are present. If any components are missing or damaged, please contact customer support.



Image: Overview of all included components, including the main unit, mounting clamp, filter, tools, and accessories.

- 4BLANC MAESTRO Main Unit
- Mounting Clamp and Arm Assembly
- HEPA 12 Filter
- Power Adapter
- Hex Key (for assembly)
- Cleaning Brushes
- User Manual (this document)

SETUP INSTRUCTIONS

Follow these steps to correctly set up your 4BLANC MAESTRO Protection Station:

1. **Attach the Mounting Clamp:** Secure the mounting clamp to a stable table or workstation edge. Ensure it is tightened firmly to prevent movement.
2. **Assemble the Arm:** Insert the arm assembly into the clamp. Adjust the height and position as needed, securing it with the provided fasteners.

3. **Mount the Main Unit:** Attach the 4BLANC MAESTRO main unit to the arm. The fluid adjustable head positioning system allows for 360° adjustment. Position the unit so the light and suction area are directly above your workspace.
4. **Install the HEPA Filter:** Open the filter compartment (refer to the diagram in the full manual if needed) and insert the HEPA 12 filter. Ensure it is seated correctly for optimal performance.
5. **Connect Power:** Plug the power adapter into the unit and then into a suitable electrical outlet.

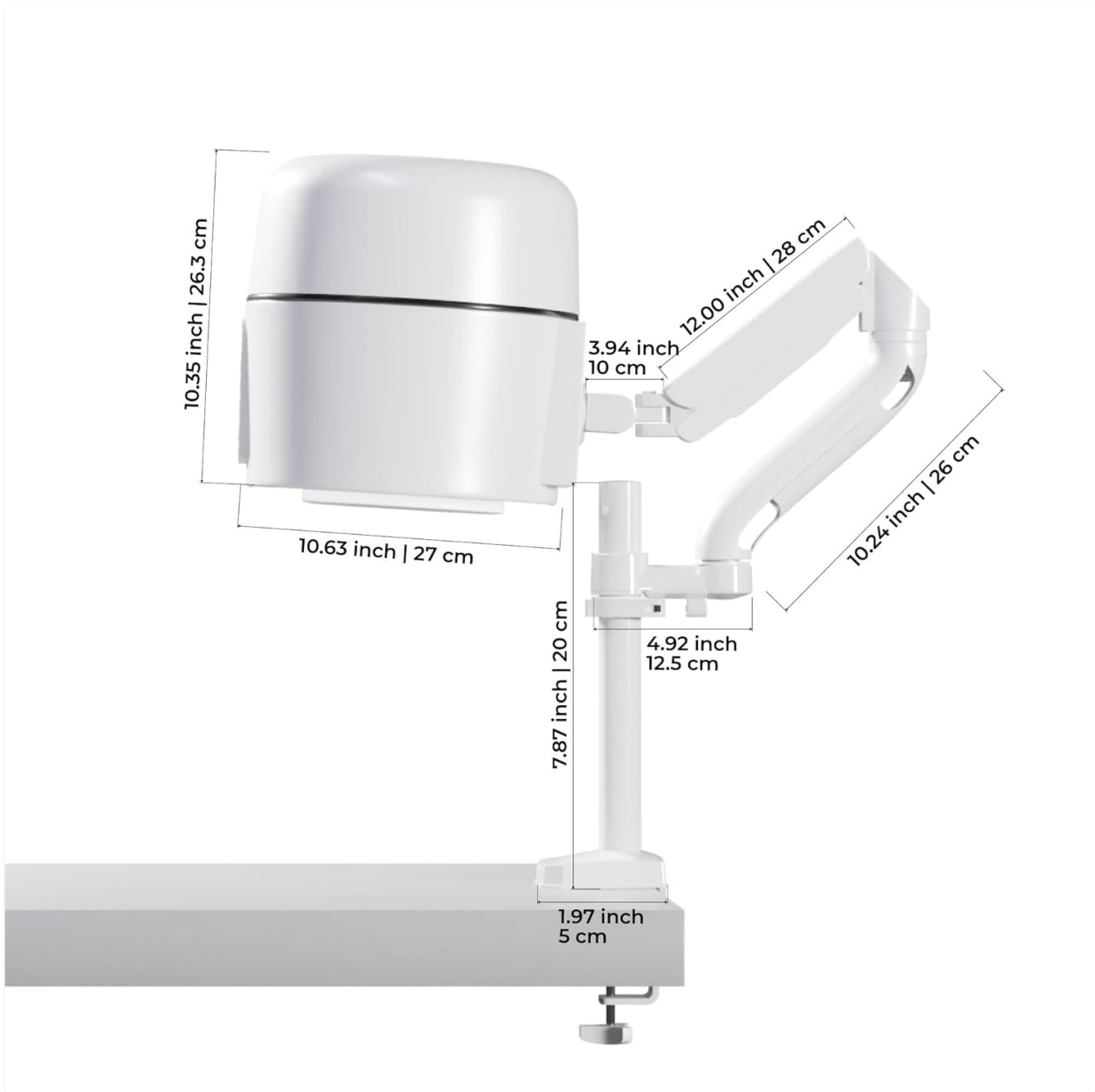


Image: Dimensional view of the 4BLANC MAESTRO, illustrating its adjustable arm and mounting mechanism.

For a visual guide, please visit the official setup video guide: 4blanc.com/pages/video

OPERATING INSTRUCTIONS

The 4BLANC MAESTRO features simplified controls for ease of use.

1. **Power On/Off:** Press the power button to turn the unit on or off.
2. **Adjust Suction Power:** Use the dedicated buttons to adjust the powerful cyclone system's suction strength. Visual indicators will show the current level.

3. **Control LED Lighting:** The 168 adjustable LEDs offer customizable lighting. Use the light control buttons to adjust brightness and color temperature for optimal visibility and eye comfort.
4. **UV Disinfection:** The medical-grade UV disinfection technology operates automatically to eliminate bacteria, fungi, and viruses within the machine, ensuring a hygienic environment.
5. **Positioning:** Adjust the unit's head and arm as needed during your work for optimal dust capture and lighting.

Maximum Protection for Nail Professionals



Image: The 4BLANC MAESTRO in operation, demonstrating its use during a nail service.

MAINTENANCE

Regular maintenance ensures the longevity and optimal performance of your 4BLANC MAESTRO.

- **Filter Replacement:** The medical-grade HEPA 12 filter captures 99.7% of particles. Replace the filter regularly, depending on usage, to maintain air purification efficiency. Refer to the full manual for specific replacement intervals and instructions.
- **Cleaning:** Use a soft, dry cloth to clean the exterior of the unit. For the suction area, use the provided cleaning brushes to remove any accumulated dust or debris. Do not use abrasive cleaners or solvents.
- **UV Lamp:** The UV disinfection system is designed for long-term use. If you suspect an issue, contact

customer support.

TROUBLESHOOTING

If you encounter issues with your 4BLANC MAESTRO, try the following steps:

- **No Power:** Ensure the power adapter is securely plugged into both the unit and a working electrical outlet. Check if the outlet is functional.
- **Weak Suction:** Check if the HEPA filter is correctly installed and not clogged. Replace the filter if it appears dirty or if suction remains weak. Ensure the suction area is clear of obstructions.
- **Light Not Working:** Verify the unit is powered on and the light settings are adjusted correctly.
- **Unusual Noise:** Turn off the unit and inspect for any loose parts or obstructions in the fan area.

If the problem persists after attempting these steps, please contact customer support.

SPECIFICATIONS

Feature	Detail
Model	MAESTRO
Brand	4BLANC
Filtration	Medical Grade HEPA 12 Filter (10,000 cm ² flat square)
Disinfection	Medical Grade UV Disinfection Technology
Lighting	168 Adjustable LEDs
Adjustability	Fluid Adjustable Head Positioning System (360° adjustment)
Controls	4 Buttons with Visual Indicators
Package Dimensions	19.96 x 18.5 x 11.69 inches
Weight	21.61 Pounds
UPC	697777198100
ASIN	B0CSKQMVXM
Manufacturer	MXS Overseas Ltd.

WARRANTY AND SUPPORT

For information regarding warranty, service, and support, please refer to the official 4BLANC resources:

- **Official Website:** 4blanc.com
- **Register Your Machine:** 4blanc.com/pages/register-machine
- **Customer Support:** For any questions or assistance, please contact customer support at support@4blanc.com.



Image: Product packaging displaying QR codes and links for additional resources.