

[Manuals.plus](#) /

› [Vente-unique](#) /

› Vente-unique Skaido Low Chest of Drawers (120x40x81.9cm) Instruction Manual

## Vente-unique SKAIDO

# Vente-unique Skaido Low Chest of Drawers Instruction Manual

Model: SKAIDO

## 1. INTRODUCTION

---

Thank you for choosing the Vente-unique Skaido Low Chest of Drawers. This manual provides essential information for the safe assembly, proper use, and effective maintenance of your new furniture. Please read these instructions carefully before beginning assembly and retain them for future reference.



*Image 1: The Skaido Low Chest of Drawers, featuring a modern design with white body and natural light wood top and handles, placed in a room.*

## 2. SAFETY INFORMATION

---

- **Adult Assembly Required:** This product requires adult assembly. Keep children away from the assembly area until the unit is fully assembled.
- **Anti-Tip Device:** To prevent serious or fatal crushing injuries, this furniture must be permanently attached to the wall using the anti-tip device provided. Wall materials vary, so screws for fixing to the wall are not included. Consult a professional for advice on suitable screw systems for your specific wall type.
- **Weight Limits:** Do not exceed the maximum weight capacity of 75 kg for the top surface and 15 kg per drawer. Overloading can cause instability and damage.
- **Stable Placement:** Place the chest of drawers on a flat, level surface to ensure stability.
- **Children's Safety:** Do not allow children to climb on drawers or shelves. Always close drawers after use.

## 3. PACKAGE CONTENTS

---

Before beginning assembly, ensure all parts are present and undamaged. Refer to the included assembly diagram for a complete list of components. The package typically includes:

- Main body panels (MDF and particle board)

- 6 drawer components
- Drawer slides and hardware
- Natural light wood handles
- Assembly hardware (screws, dowels, cam locks, etc.)
- Anti-tip restraint kit
- Assembly instructions (this manual)

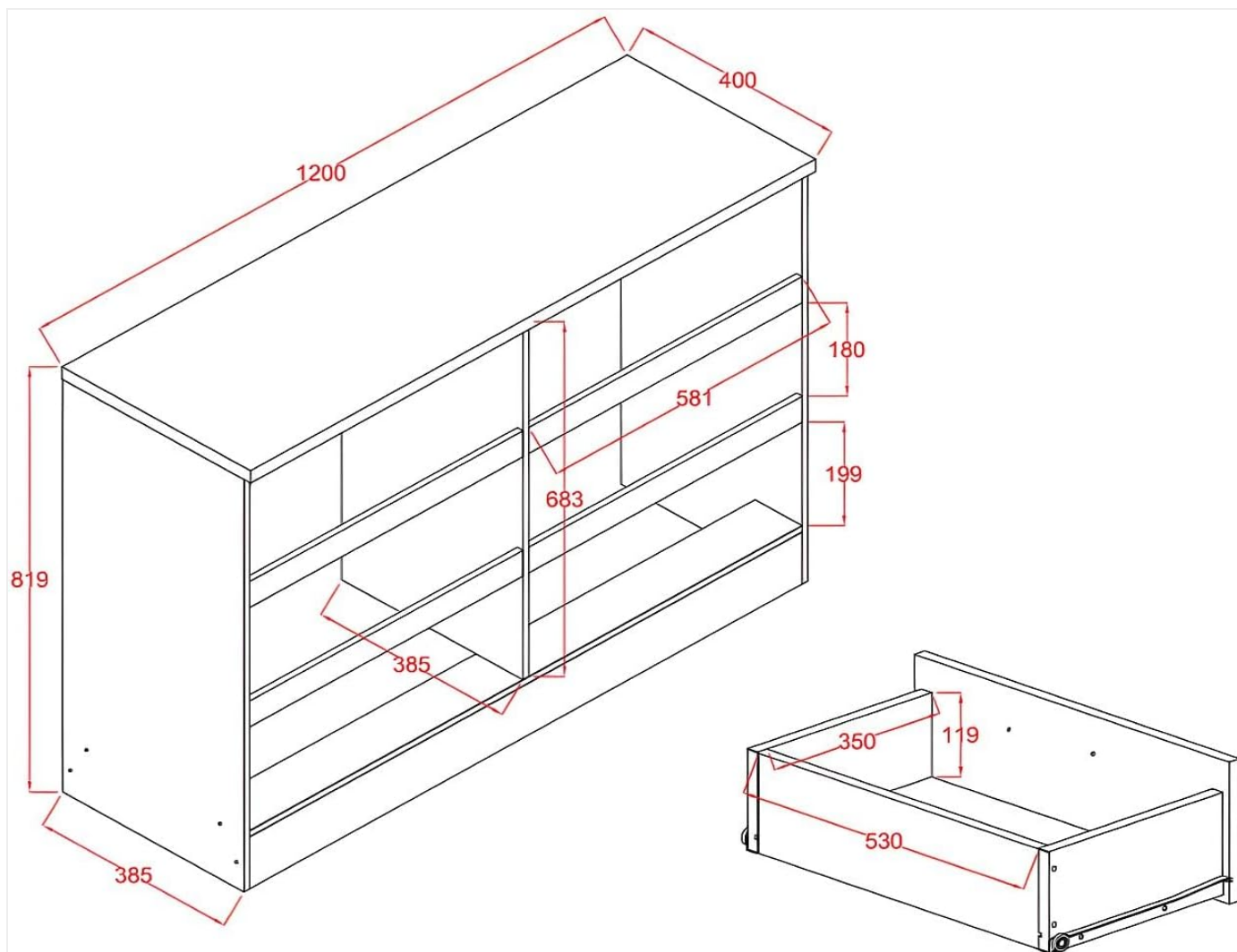


Image 2: Technical drawing illustrating the overall dimensions of the Skaido Low Chest of Drawers (120cm length, 40cm depth, 81.9cm height) and individual drawer dimensions.

## 4. SETUP AND ASSEMBLY

Assembly is required for this product. Follow these general steps, referring to the detailed diagrams in your package for specific part identification and order.

1. **Prepare the Area:** Clear a spacious, clean, and level area for assembly. Lay down a blanket or cardboard to protect the furniture pieces and your floor.
2. **Identify Components:** Unpack all parts and hardware. Match them against the parts list and diagrams provided in your package.
3. **Assemble the Frame:** Begin by assembling the main frame of the chest of drawers. Attach side panels to the base and top panels using the provided hardware (dowels, screws, cam locks). Ensure all connections are secure.
4. **Install Drawer Slides:** Attach the drawer slides to the interior side panels of the chest frame. Pay attention to the orientation (left/right, front/back) as indicated in the diagrams.

5. **Assemble Drawers:** Construct each of the six drawers. Attach the side, front, and back panels, then slide in the bottom panel. Secure the drawer slides to the sides of each drawer.
6. **Attach Handles:** Fasten the natural light wood handles to the front panels of each assembled drawer.
7. **Insert Drawers:** Carefully slide each assembled drawer into its corresponding slot in the chest frame. Ensure they glide smoothly.
8. **Secure to Wall (Anti-Tip):** This is a critical safety step. Position the chest of drawers in its desired location. Using the provided anti-tip kit, secure the unit to a wall stud or use appropriate wall anchors for your wall type. This prevents the unit from tipping over.



*Image 3: Front view of the fully assembled Skaido Low Chest of Drawers, showcasing its six functional drawers.*

## 5. OPERATING INSTRUCTIONS

---

The Skaido Low Chest of Drawers is designed for organizing clothing, linens, and accessories. To ensure longevity and safe operation:

- **Drawer Use:** Open and close drawers gently. Avoid forcing them.
- **Weight Distribution:** Distribute items evenly within each drawer. Do not place heavy items on the top surface that exceed the 75 kg limit. Each drawer has a maximum capacity of 15 kg.
- **Closing Drawers:** Always ensure drawers are fully closed when not in use to maintain stability and prevent accidental opening.

## 6. MAINTENANCE

---

Proper care will help preserve the appearance and quality of your chest of drawers:

- **Cleaning:** Clean surfaces with a soft, dry cloth. Avoid excessive moisture, harsh chemicals, or abrasive cleaners, as these can damage the finish.
- **Spills:** Wipe up spills immediately with a dry cloth to prevent staining or damage to the wood and MDF.
- **Hardware Check:** Periodically check all screws and fittings to ensure they remain tight. Retighten if necessary.
- **Sunlight Exposure:** Avoid prolonged exposure to direct sunlight, which can cause fading or discoloration.

## 7. TROUBLESHOOTING

Problem	Possible Cause	Solution
Drawers do not slide smoothly.	Incorrectly installed drawer slides. Obstruction in the slide mechanism. Overloaded drawer.	Recheck drawer slide installation and alignment. Remove any debris from the slides. Reduce the weight in the drawer.
Chest of drawers feels unstable.	Not placed on a level surface. Loose assembly hardware. Anti-tip device not installed or improperly installed.	Move to a level surface or use shims. Retighten all assembly screws and fittings. Install the anti-tip device securely to a wall stud.
Visible gaps between panels.	Hardware not fully tightened. Panels misaligned during assembly.	Ensure all cam locks and screws are fully tightened. Partially disassemble and reassemble, ensuring correct alignment.

## 8. SPECIFICATIONS

Feature	Detail
Model Name	SKAIDO
Brand	Vente-unique
Dimensions (L x D x H)	120 cm x 40 cm x 81.9 cm
Weight	43 Kilograms
Material	MDF, Particle Board
Color	White, Natural Light
Number of Drawers	6
Max. Top Surface Load	75 kg
Max. Drawer Load	15 kg per drawer
Assembly Required	Yes
Mounting Type	Floor Mount

Feature	Detail
Country of Origin	France

## 9. WARRANTY AND SUPPORT

---

This Vente-unique product comes with a **Limited Warranty**. For specific details regarding warranty coverage, duration, and terms, please refer to the warranty information included with your purchase or visit the official Vente-unique website.

For technical assistance, missing parts, or any other inquiries, please contact Vente-unique customer support through their official channels. You can typically find contact information on their website or on your purchase documentation.

**Online Support:** [Visit the Vente-unique Store on Amazon](#)

