



[Manuals.plus](#) /

> [VECELO](#) /

> VECELO Twin Size Velvet Upholstered Bed Frame Instruction Manual

VECELO ZH-TB02-DGRY-BC11

VECELO Twin Size Velvet Upholstered Bed Frame Instruction Manual

Model: ZH-TB02-DGRY-BC11

1. PRODUCT OVERVIEW

This manual provides instructions for the assembly, operation, and maintenance of your VECELO Twin Size Velvet Upholstered Platform Bed Frame. This bed frame features a sturdy wooden slat support system and an adjustable headboard, designed for comfort and durability without the need for a box spring.

Key Features:

- **Sturdy Construction:** Built with 12 wooden slats, side rails, and 6 legs for strong mattress support.
- **Upholstered Design:** Velvet upholstery and a tufted headboard provide a classic aesthetic.
- **No Box Spring Required:** Durable wood slats support and extend the life of latex, memory foam, or spring mattresses.
- **Noiseless Operation:** Designed for silent use with accurate joint connections and reinforced wood structure.
- **Adjustable Headboard:** Headboard height can be adjusted between 41.7 inches and 47.7 inches to accommodate various mattress thicknesses.
- **Easy Assembly:** All parts are clearly labeled, and hardware/tools are included for straightforward setup.



Image 1: VECELO Twin Size Velvet Upholstered Bed Frame in Dark Grey. This image displays the fully assembled bed frame with a mattress and bedding, showcasing its modern design and dark grey velvet upholstery.

2. ASSEMBLY INSTRUCTIONS

Before beginning assembly, ensure all components are present and undamaged. It is recommended to assemble the bed frame in the room where it will be used. Two people are recommended for assembly.

Components Checklist:

Refer to the included assembly instructions for a detailed list of parts and hardware. All necessary tools are provided.

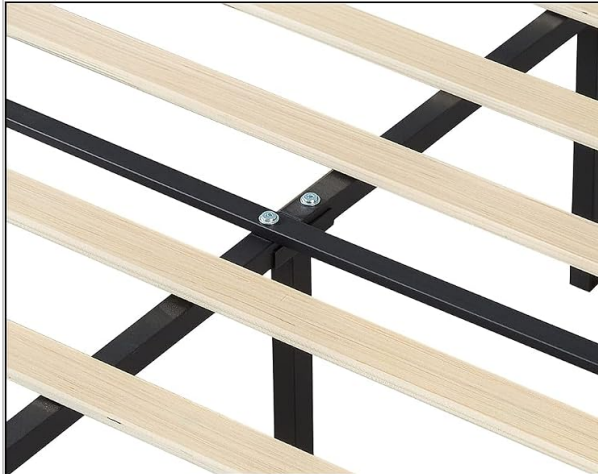
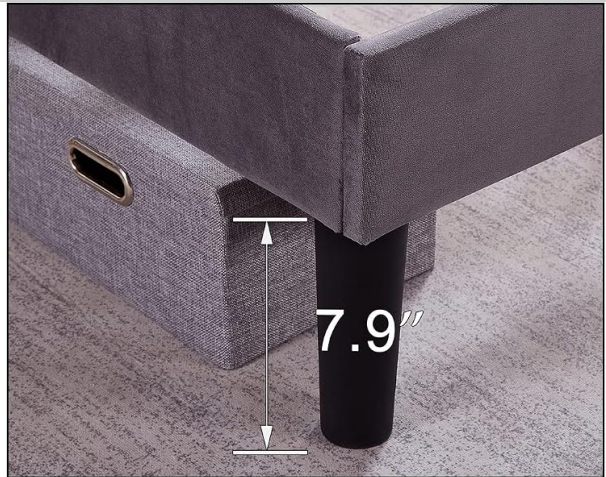
Assembly Steps:

1. Unpack all components from the box and lay them out on a clean, soft surface to prevent scratches.
2. Attach the side rails to the headboard and footboard using the provided hardware. Ensure all connections are secure.
3. Install the center support beam and legs.
4. Unroll and attach the wooden slats to the bed frame. The slats feature a Velcro design for quick installation and to prevent movement, contributing to a noiseless structure.

5. Adjust the headboard height to your desired position.

01

Enough Space
Convenient cleaning



02

Sturdy Frame
No box spring needed



03

Velcro Design
Quick install & noise free

Image 2: This diagram illustrates key features of the bed frame, including the 7.9-inch under-bed clearance for storage, the sturdy frame construction that eliminates the need for a box spring, and the Velcro design on the wooden slats for easy, noise-free installation.

Assembly Video:

Your browser does not support the video tag.

Video 1: This video demonstrates the assembly process for a VECELO upholstered bed frame, highlighting the ease of setup and key features like the slat system and headboard.

3. USAGE GUIDELINES

The VECELO bed frame is designed for optimal support and comfort. Follow these guidelines for proper use:

- **Mattress Compatibility:** This platform bed frame is compatible with twin-size mattresses, including latex, memory foam, and spring mattresses. A box spring is not required.
- **Headboard Adjustment:** The headboard can be adjusted to different heights (41.7" to 47.7") to best suit your mattress thickness and personal preference.
- **Weight Capacity:** The maximum weight capacity for this twin bed frame is 500 lbs. Do not exceed

this limit to ensure safety and product longevity.

- **Under-Bed Clearance:** The frame provides approximately 7.9 inches of clearance underneath, suitable for storage.



Image 3: This image shows the adjustable headboard feature, indicating height options from 41.7 inches to 47.7 inches to accommodate various mattress thicknesses.

4. MAINTENANCE

Proper care will help maintain the appearance and longevity of your bed frame.

- **Fabric Care:** The velvet upholstered components should be dry cleaned only. Do not use liquid cleaners or abrasive materials.
- **Frame Cleaning:** Wipe metal and wooden parts with a soft, damp cloth. Avoid harsh chemicals.
- **Regular Inspection:** Periodically check all bolts and connections to ensure they remain tight. Retighten if necessary.

5. TROUBLESHOOTING

If you encounter any issues with your bed frame, refer to the following common solutions:

- **Squeaking Noises:** Ensure all bolts are securely tightened. The bed frame is designed to be noiseless, so loose connections are the most common cause of squeaking.
- **Instability:** Verify that all legs are firmly on the ground and that the frame is assembled on a level surface. Check all connections for tightness.
- **Missing Parts:** If any parts were missing upon delivery, contact VECELO customer support immediately for assistance.

6. SPECIFICATIONS

Feature	Detail
Size	Twin
Product Dimensions (L x W x H)	76.57" x 41.73" x 13.78"
Adjustable Headboard Height	41.7" - 47.7"
Color	Dark Grey
Fabric Type	Flax (Velvet Upholstery)
Frame Material	Alloy Steel, Wooden Slats
Maximum Weight Capacity	500 lbs
Item Weight	58.2 pounds
Model Number	ZH-TB02-DGRY-BC11
UPC	840408908894



Image 4: This diagram provides detailed dimensions for the VECELO Twin Bed Frame, including overall length, width, headboard height, and under-bed clearance.

7. WARRANTY AND SUPPORT

For any questions, concerns, or assistance with your VECELO bed frame, please contact customer support.

- **Customer Support:** Refer to your purchase documentation or the VECELO official website for contact information.
- **Return Policy:** This product is eligible for a 90-day easy return policy through Amazon.com.