

PATIKIL pta231121tt000555

PATIKIL 3.2 Inch Wooden LED Light Base Instruction Manual

Model: pta231121tt000555

INTRODUCTION

Thank you for choosing the PATIKIL 3.2 Inch Wooden LED Light Base. This manual provides essential information for the proper setup, operation, and maintenance of your LED light base. Please read these instructions carefully before use and retain them for future reference.

PRODUCT OVERVIEW

The PATIKIL Wooden LED Light Base is designed to illuminate various decorative items such as crystal crafts, resin crafts, glass art, and aroma stones. It features a solid wood construction with a frosted acrylic light diffusion panel for soft, glare-free illumination.

Key Features:

- Solid wood material with natural grain.
- Frosted acrylic light diffusion panel for soft, even light.
- USB powered for versatile use.
- Simple one-button ON/OFF switch.



Figure 1: Product Components - This image illustrates the main parts of the LED light base, including the wooden base, light diffuser, and the USB cable with an integrated ON/OFF switch.

SPECIFICATIONS

Feature	Detail
Material	Wood, Metal, Electronics
Shell Color	Wood Color
Light Color	White
Rated Voltage	DC 5V
Light Area Diameter	37mm / 1.46 inches
Total Size (D*H)	80mm x 20mm / 3.2 inches x 0.8 inches
Wire Length	1m / 3.28 feet
Connectivity Technology	USB
Switch Type	Push Button

Feature	Detail
Water Resistance Level	Waterproof
Model Number	pta231121tt000555

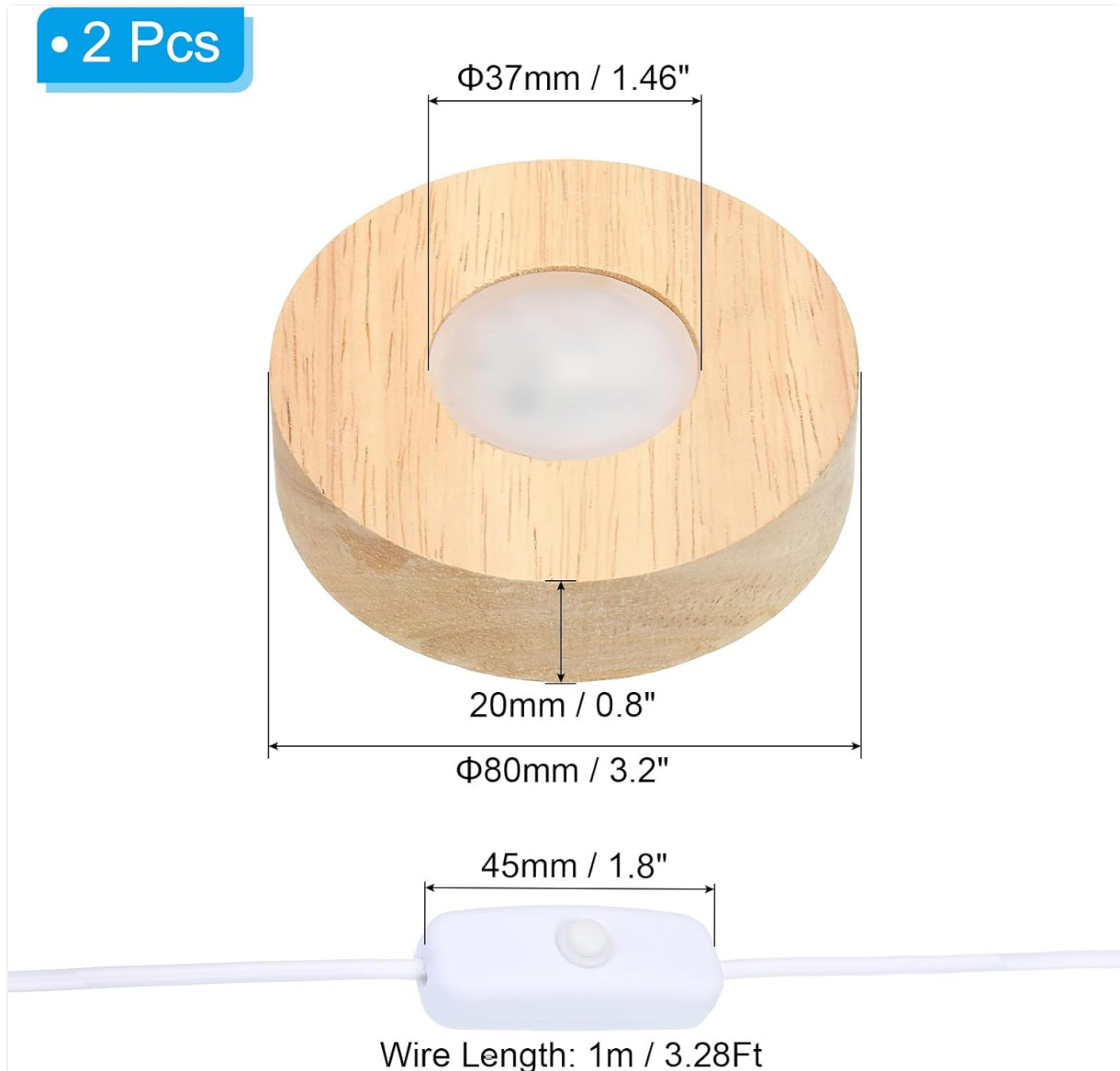


Figure 2: Product Dimensions - This image provides detailed measurements of the LED light base and its components.

SETUP INSTRUCTIONS

Follow these steps to set up your PATIKIL Wooden LED Light Base:

1. **Place the Light Base:** Position the wooden LED light base on a stable, flat surface where you intend to display your item.
2. **Connect to Power:** Connect the USB cable to a compatible 5V DC power source. This can be a computer USB port, a power bank, or a phone adapter. Ensure the power source provides the correct voltage.
3. **Turn On:** Press the button switch located on the USB cable to turn on the light.
4. **Place Your Item:** Carefully place your crystal, glass art, aroma stone, or other decorative item onto the illuminated area of the base.

EASY INSTALLATION



1. Put it on



2. Connect the USB port



3. Turn on the button switch



4. Put the crystal ball on

Figure 3: Easy Installation Steps - A visual guide to quickly set up your LED light base.

Suitable for Different Power Source



POWER BANKS



COMPUTERS



MOBILE PHONES CHARGER



Figure 4: Compatible Power Sources - The LED base can be powered by various USB sources like power banks, computers, and phone chargers.

OPERATING INSTRUCTIONS

Operating the PATIKIL Wooden LED Light Base is straightforward:

- **Power On:** Press the button switch on the USB cable to turn the LED light on.
- **Power Off:** Press the button switch again to turn the LED light off.

The light base provides a consistent white light when activated.

MAINTENANCE

To ensure the longevity and optimal performance of your LED light base, follow these maintenance guidelines:

- **Cleaning:** Wipe the wooden base with a soft, dry cloth. For the acrylic light diffusion panel, use a slightly damp cloth if necessary, then dry immediately. Avoid abrasive cleaners or solvents.

- **Storage:** When not in use, store the light base in a cool, dry place away from direct sunlight and extreme temperatures.
- **Handling:** Handle the base with care to prevent damage to the wood or internal electronics.

TROUBLESHOOTING

If you encounter any issues with your LED light base, refer to the following common solutions:

- **Light Does Not Turn On:**
 - Ensure the USB cable is securely connected to both the light base and the power source.
 - Verify that the power source (computer, power bank, adapter) is functioning correctly and providing 5V DC.
 - Press the button switch firmly to ensure it engages.
- **Light Flickers or is Dim:**
 - Check the power source. An unstable or insufficient power supply can cause flickering or dimming.
 - Ensure the USB cable is not damaged or kinked.
- **Base Feels Warm:**
 - It is normal for the light base to feel slightly warm after long hours of operation. If it becomes excessively hot, disconnect it from the power source and contact customer support.

SAFETY INFORMATION

- The applicable voltage for this device is **DC 5V**. Always provide a voltage that matches the rated voltage of the light to prevent damage.
- Do not expose the light base to extreme temperatures or humidity.
- Keep out of reach of children and pets.
- Do not attempt to disassemble or modify the product. This may void any potential warranty and could lead to electrical hazards.
- Although the product has a waterproof rating, avoid submerging it in water or exposing it to heavy rain.

WARRANTY AND SUPPORT

Information regarding product warranty and customer support was not provided in the product details. For any issues or inquiries, please refer to the seller or manufacturer's contact information available at the point of purchase.