



[Manuals.plus](#) /

› [Mirightone](#) /

› Mirightone Twin Over Twin Bunk Bed with Desk and Trundle Instruction Manual

Mirightone Bunk Bed Twin over Twin

Mirightone Twin Over Twin Bunk Bed with Desk and Trundle Instruction Manual

Model: Bunk Bed Twin over Twin

INTRODUCTION

This manual provides essential instructions for the assembly, operation, and maintenance of your Mirightone Twin Over Twin Bunk Bed with Desk and Trundle. Please read all instructions carefully before assembly and use to ensure safe and proper operation of the product. Keep this manual for future reference.



Image: The Mirightone Twin Over Twin Bunk Bed in Grey, featuring a built-in desk, storage drawers, and a pull-out trundle bed.

IMPORTANT SAFETY INFORMATION

- The top bunk is not suitable for children under 6 years of age.
- Always ensure all fasteners are securely tightened before use and periodically check for tightness.
- Do not allow horseplay on or under the bed.
- Use only mattresses that meet the recommended thickness and dimensions for each bed level.
- Ensure proper ventilation around the bed, especially if using the desk for extended periods with electronic devices.
- Maximum weight capacities: Upper bed: 300 lbs, Bottom bed: 250 lbs, Trundle bed: 200 lbs.

SETUP AND ASSEMBLY

Assembly of this bunk bed is required. It is recommended that two adults perform the assembly. Please ensure all components and hardware are present before beginning. Refer to the separate detailed assembly instructions provided

with your product for step-by-step guidance.

Pre-Assembly Checklist:

- Unpack all components and verify against the parts list in your assembly guide.
- Ensure you have the necessary tools (e.g., screwdriver, hammer - typically not included).
- Clear a spacious area for assembly to prevent damage to the product or your home.

SIZE: INCH

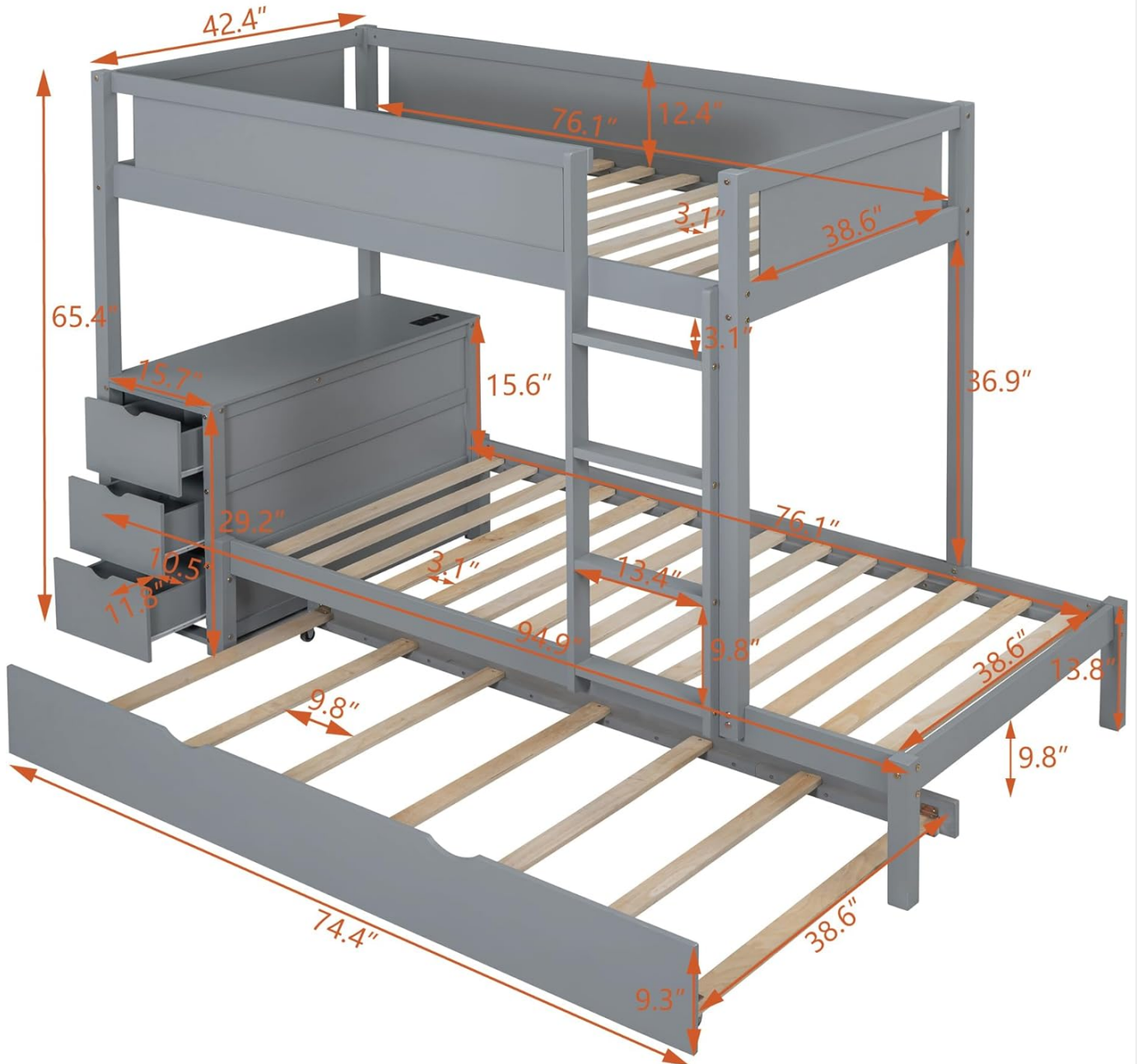


Image: Dimensional diagram of the bunk bed, showing overall length, width, and height, as well as individual component measurements.

Follow the numerical sequence in the provided assembly manual. Do not overtighten screws during initial assembly; tighten fully once all parts are correctly aligned.

OPERATING INSTRUCTIONS

Using the Trundle Bed:

The trundle bed is designed to slide out from under the bottom bunk. Gently pull the trundle frame outwards until it is fully extended. To retract, push the trundle back into its stored position under the bed. Ensure no obstructions are present when moving the trundle.



Image: The trundle bed fully extended from beneath the main bunk bed structure.

Utilizing the Desk and Charging Station:

The integrated desk provides a convenient surface for study or work. The charging station includes 2 USB ports and 2 standard three-prong outlets. Connect the bunk bed's power cord to a wall outlet to activate the charging station. Use the USB ports for charging mobile devices and the outlets for laptops, lamps, or other small electronics.



Image: A detailed view of the built-in desk, highlighting the power outlets and USB ports.

Storage Drawers:

Three drawers are located beneath the desk area. Pull the handles to open the drawers for storing books, toys, or other personal items. Ensure drawers are fully closed when not in use to maintain a tidy appearance and prevent tripping hazards.

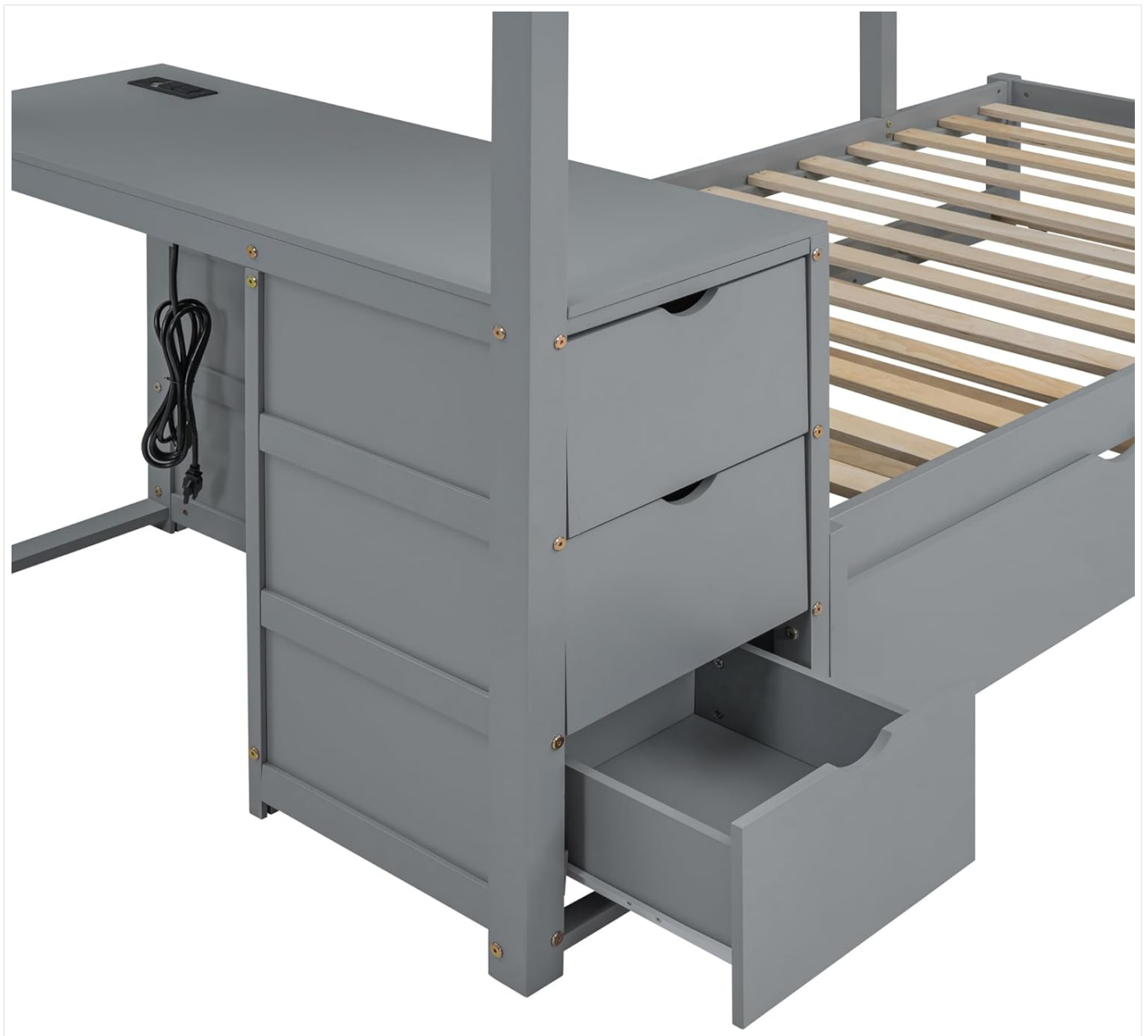


Image: The three storage drawers under the desk, with one partially open to show interior space.

MAINTENANCE

- **Cleaning:** Wipe surfaces with a soft, damp cloth. Avoid harsh chemicals or abrasive cleaners that may damage the finish.
- **Fasteners:** Periodically check all bolts, screws, and other fasteners to ensure they remain tight. Retighten as necessary to maintain structural integrity and safety.
- **Moving the Bed:** If relocating the bed, disassemble it first to prevent structural damage. Do not drag the assembled bed.

TROUBLESHOOTING

Problem	Possible Cause	Solution
Bed feels unstable or wobbly.	Loose fasteners.	Check and tighten all bolts and screws. Ensure the bed is on a level surface.

Problem	Possible Cause	Solution
Trundle bed does not slide smoothly.	Obstruction or dirty wheels.	Clear any objects from the path of the trundle. Clean trundle wheels and tracks.
Charging station not working.	Power cord not plugged in or faulty outlet.	Ensure the bed's power cord is securely plugged into a functional wall outlet. Test the outlet with another device.

If you encounter issues not listed here or require further assistance, please contact Mirightone customer support.

PRODUCT SPECIFICATIONS

Feature	Detail
Product Type	Bunk Bed Twin over Twin
Size	Twin over Twin
Color	Grey
Material	Plywood, Pinewood, MDF (Engineered Wood, Pine Wood)
Overall Product Dimensions (L x W x H)	94.9" x 42.4" x 65.4"
Overall Product Weight	188.18 lbs
Weight Capacity (Upper Bed)	300 lbs
Weight Capacity (Bottom Bed)	250 lbs
Weight Capacity (Trundle Bed)	200 lbs
Recommended Mattress Thickness (Upper Bed)	6 inches
Recommended Mattress Thickness (Bottom Bed)	6 inches
Recommended Mattress Thickness (Trundle Bed)	4 inches
Number of Slats (Upper/Bottom/Trundle)	14 / 14 / 7
Assembly Required	Yes
Special Features	Desk Underneath, Outlets with USB, Storage Drawer, Twin Size Trundle

WARRANTY INFORMATION

Specific warranty details for the Mirightone Twin Over Twin Bunk Bed are typically provided with your purchase documentation or can be obtained directly from the retailer or manufacturer. Please retain your proof of purchase for any warranty claims.

CUSTOMER SUPPORT

For any questions regarding assembly, missing parts, product operation, or troubleshooting, please contact Mirightone customer service. Refer to your purchase documentation for contact details or visit the official Mirightone website. Your satisfaction is important to us. We are committed to providing assistance to ensure you have a positive experience with your product.

