

## Manuals+

[Q & A](#) | [Deep Search](#) | [Upload](#)

[manuals.plus](#) /

› [SINKVINE](#) /

› [SINKVINE PVD Nano Stainless Steel Undermount Kitchen Sink 22 x 18 inch Instruction Manual](#)

## SINKVINE SVU221809RB0

# SINKVINE PVD Nano Stainless Steel Undermount Kitchen Sink

MODEL: SVU221809RB0 - 22 X 18 INCH

## Introduction

---

Thank you for choosing the SINKVINE PVD Nano Stainless Steel Undermount Kitchen Sink. This manual provides essential information for the safe and efficient installation, operation, and maintenance of your new sink. Please read these instructions thoroughly before beginning installation or use, and retain this manual for future reference.



Figure 1: SINKVINE 22x18 inch Undermount Kitchen Sink with accessories.

## Safety Information

---

- Always wear appropriate personal protective equipment (PPE) such as safety glasses and gloves during installation.
- Ensure the installation area is clear and well-lit.
- Turn off the main water supply before beginning any plumbing work.
- If you are unsure about any step of the installation process, consult a qualified professional plumber or installer.
- Handle the sink with care to avoid damage or injury due to its weight and size.

## Package Contents

---

Verify that all components are present and undamaged before proceeding with installation.

- SINKVINE Undermount Kitchen Sink (Model SVU221809RB0)
- Stainless Steel Basket Strainer Drain Assembly
- Protective Bottom Rinse Grid
- Roll-up Drying Rack
- Installation Guide
- Cut-out Template
- Mounting Clips



**INCLUDED**

### **STAINLESS STEEL DRAIN ASSEMBLY**

Constructed from premium stainless steel, a 3.5-inch US standard drain assembly with an easy-to-clean removable basket strainer helps keep food and debris from clogging the drainpipe

### **PROTECTIVE BOTTOM GRID**

A stainless steel bottom grid with soft bumpers promotes better draining and helps protect the floor from getting scratched and dented. Keeping dishes, utensils, and heavy cookware elevated



**INCLUDED**

**INCLUDED**



### **DURABLE ROLL-UP DRYING RACK**

Constructed of square stainless steel bars and non-slip silicone coating perfect for drying dishes right over the sink. Holds up to 50 lbs.. dishwasher-safe. heat-safe rolls up for storage

Figure 2: Included accessories: Drain Assembly, Bottom Grid, and Roll-up Drying Rack.

## **Setup and Installation**

This section outlines the steps for properly installing your SINKVINE undermount sink.

### **1. Pre-Installation Checks**

- **Cabinet Size:** Ensure your base cabinet is at least 25 inches wide to accommodate the sink. The cabinet base size should be at least 3 inches wider than the sink (left to right).
- **Countertop Cutout:** Use the provided cut-out template to mark and cut the countertop opening. The internal dimensions (cutout size) are 20 inches (wide) x 16 inches (front-to-back).

## HOW TO CHOOSE THE RIGHT SINK FOR YOUR CABINET

- ✓ The cabinet base size is at least 3 inches wider than the sink(left to right)
- ✓ Please measure your cabinet base size and cabinet size before making cut-out (The cutting template is included in the package)
- ✓ Welcome to choose the right one your need from SINKVINE

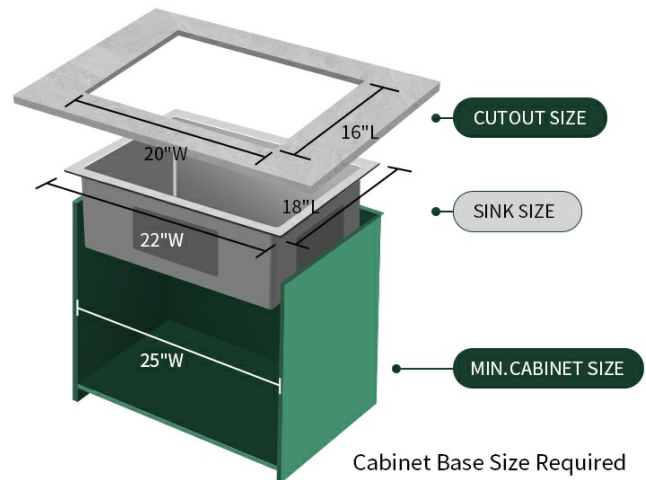


Figure 3: Guide for selecting the correct sink size and cabinet requirements.

**SINKVINE**  
Renovate · Refresh · Relax

### STANDARD SERIES | SUV2218 UNDERMOUNT SINK

#### DIMENSIONS

EXTERNAL DIMENSIONS: 22"(wide) x 18"(front-to-back)  
INTERNAL DIMENSIONS: 20"(wide) x 16"(front-to-back)  
BOWL DEPTH: 9"

CUTOUT SIZE: 20"(wide) x 16"(front-to-back)  
MINIMUM BASE CABINET: 25"



Figure 4: Detailed dimensions of the SINKVINE SVU221809RB0 sink.

## 2. Installation Steps

1. **Prepare Countertop:** Using the provided template, mark and cut the opening in your countertop. Ensure edges are smooth and clean.
2. **Apply Sealant:** Apply a continuous bead of silicone sealant around the rim of the sink.
3. **Position Sink:** Carefully lift the sink and align it with the countertop opening from underneath. Press firmly to ensure good adhesion.
4. **Secure with Clips:** Attach the mounting clips to the underside of the countertop and tighten them evenly to secure the sink in place. Wipe away any excess sealant.
5. **Install Drain Assembly:** Install the basket strainer drain assembly into the sink's drain opening according to its specific instructions. The standard 3.5-inch drain opening is compatible with most garbage disposal units.
6. **Connect Plumbing:** Connect the drain assembly to your household plumbing system. Ensure all connections are watertight.

7. **Test for Leaks:** Turn on the water supply and check for any leaks around the sink rim and plumbing connections.

## Operating Instructions

---

Your SINKVINE undermount sink is designed for versatile use in kitchens, bars, RVs, or laundry areas.

### 1. General Use

- The deep single bowl design (9-inch depth) provides ample space for washing large items and minimizes splashing.
- The X-shaped sloped bottom with drain grooves facilitates fast water drainage, preventing water pooling.

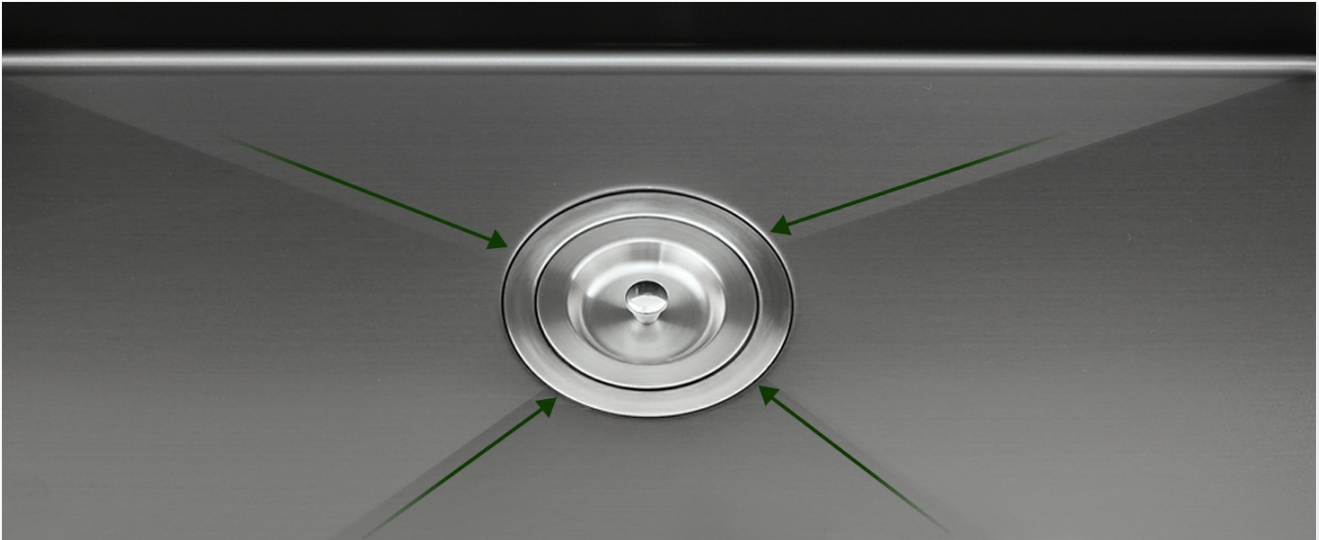


Figure 5: X-shaped drainage for efficient water removal.

### 2. Using Accessories

- **Basket Strainer Drain:** Place the basket strainer in the drain opening to catch food debris and prevent clogs. It is easily removable for cleaning.
- **Bottom Rinse Grid:** Position the protective bottom grid at the base of the sink. This elevates dishes and cookware, protecting the sink surface from scratches and dents while promoting better drainage.
- **Roll-up Drying Rack:** Unroll the drying rack over the sink for air-drying dishes, fruits, or vegetables. It can support up to 50 lbs and is dishwasher-safe. Roll it up for compact storage when not in use.

## Maintenance

---

Proper care will ensure the longevity and appearance of your SINKVINE sink.

### 1. Daily Cleaning

- After each use, rinse the sink thoroughly to remove any food particles or residue.
- Use a mild detergent and a soft cloth or sponge to clean the sink surface. Avoid abrasive cleaners, steel wool, or harsh chemicals, as these can damage the PVD Nano coating.
- Wipe the sink dry with a soft cloth to prevent water spots, especially in hard water areas.



Figure 6: Cleaning the sink drain area.

## 2. PVD Nano Coating Care

- The PVD Nano coating provides high hardness, scratch resistance, and a self-cleaning effect, making the sink easy to maintain.
- Avoid leaving acidic foods or harsh chemicals in the sink for extended periods, as they may affect the coating over time.



Figure 7: Explanation of the Nano PVD coating benefits.

## 3. Easy-to-Clean Corners

- The R10 radius inside corners are designed for easy cleaning, preventing debris buildup.



Figure 8: R10 rounded corners for simplified cleaning.

## Troubleshooting

---

This section addresses common issues you might encounter with your sink.

Problem	Possible Cause	Solution
Slow Drainage	Clogged drain strainer or plumbing.	Remove and clean the basket strainer. Check and clear any clogs in the P-trap or drainpipe.
Water Spots	Hard water residue.	Wipe the sink dry after each use. For stubborn spots, use a vinegar-water solution and rinse thoroughly.
Unusual Noise	Vibrations from water flow or garbage disposal.	The sink features sound-absorbing pads and undercoating to minimize noise. Ensure the sink is securely mounted. If using a garbage disposal, ensure it is properly installed and balanced.
Scratches on Surface	Abrasive objects or cleaners used.	The PVD Nano coating is highly scratch-resistant. Use the bottom rinse grid to protect the surface. Avoid sharp objects or abrasive cleaning materials. Minor surface marks may be buffed out with a non-abrasive stainless steel cleaner.

# SINKVINE

NoiseDefend technology

## Can you hear that? Probably not.

Our stainless steel sinks feature multiple 3mm thick rubber sound-dampening pads. They are insulating to help your kitchen sink stay quiet and reduce noise-producing vibrations. SINKVINE sinks are also sprayed with a coating to reduce condensation.

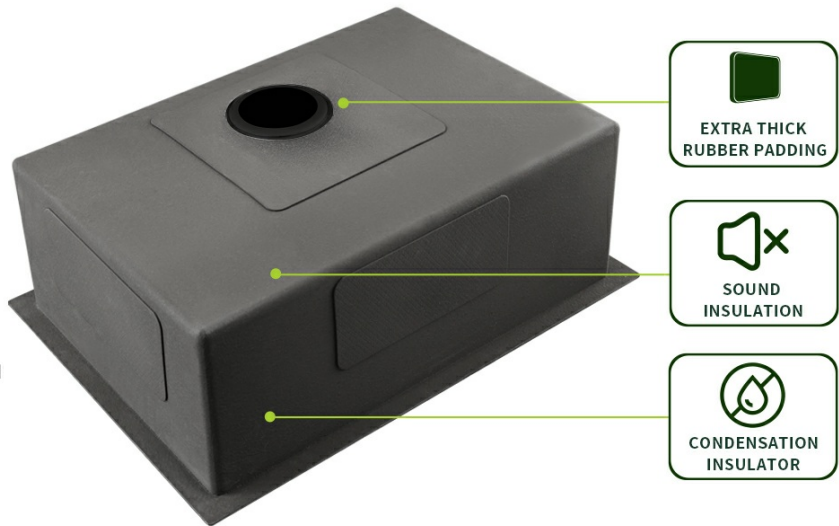


Figure 9: NoiseDefend technology for reduced sound and condensation.

## Specifications

Key technical details for the SINKVINE SVU221809RB0 Undermount Kitchen Sink.

Feature	Detail
Brand	SINKVINE
Model Number	SVU221809RB0
Color	Gunmetal Black
Material	T-304 Grade Nano PVD Stainless Steel
Exterior Dimensions	22" (wide) x 18" (front-to-back) x 9" (height)
Interior Dimensions (Cutout)	20" (wide) x 16" (front-to-back) x 9" (bowl depth)
Minimum Base Cabinet	25" wide
Installation Type	Undermount
Drain Opening	Standard 3.5"
Thickness	3mm (11 Gauge) top flange
Item Weight	20.4 pounds
Included Components	Metal Sink Strainer, Bottom Rinse Grid, Roll-up Drying Rack

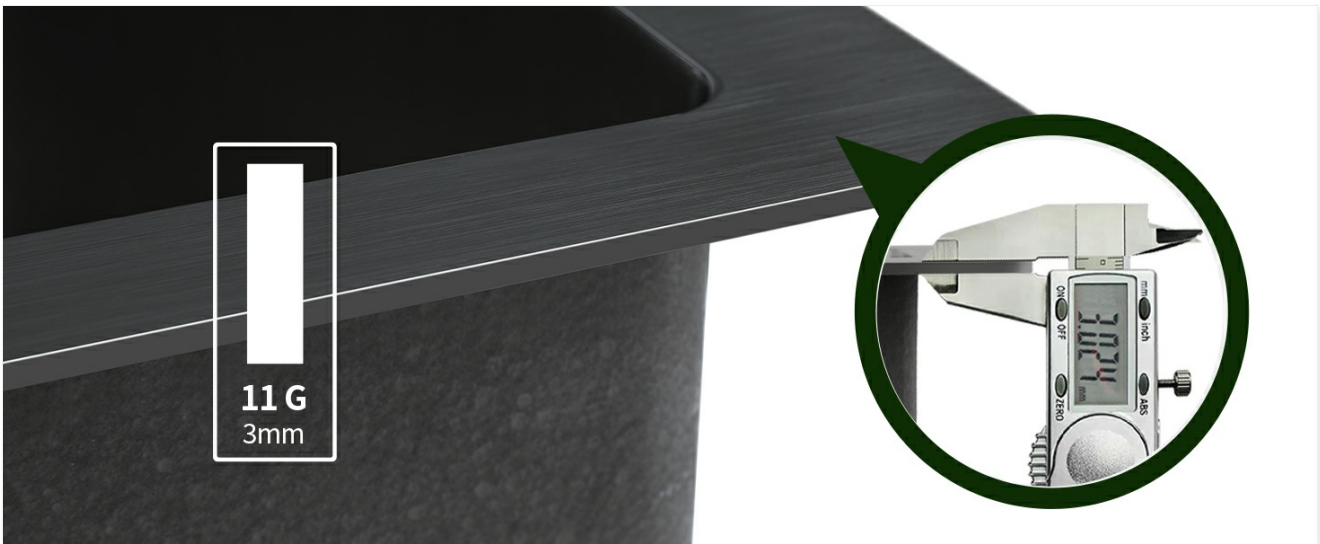


Figure 10: Sink material thickness detail.

## Warranty and Support

---

Your SINKVINE Undermount Kitchen Sink is backed by a Lifetime Limited Warranty, ensuring quality and durability.

### Warranty Information

SINKVINE warrants this product to be free from defects in material and workmanship under normal use for the lifetime of the original purchaser. This warranty covers manufacturing defects and does not cover damage caused by misuse, abuse, improper installation, accidents, or normal wear and tear. For full warranty details, please refer to the documentation included with your purchase or contact SINKVINE customer service.

### Customer Support

If you have any questions regarding the installation, operation, maintenance, or warranty of your SINKVINE sink, please contact our customer support team. Refer to the contact information provided with your product packaging or visit the official SINKVINE website for assistance.