

[Manuals.plus](#) /

› [BKIFU](#) /

› Instruction Manual for BKIFU Kenmore Elite Refrigerator Door Spring

**BKIFU 795.71033.010, 795.71053.011, 795.71054.010, 795.71099.111, 795.71056.011**

# Kenmore Elite Refrigerator Door Spring Instruction Manual

Model Compatibility: 795.71033.010, 795.71053.011, 795.71054.010, 795.71099.111, 795.71056.011

## 1. PRODUCT INTRODUCTION

This manual provides instructions for the installation and maintenance of the BKIFU Kenmore Elite Refrigerator Door Spring. These heavy-duty steel replacement springs are designed to restore proper function to your refrigerator door.

Each package contains 3 pieces of the Kenmore Elite Refrigerator Door Spring, along with a plastic storage box for convenience.



Image: Three heavy-duty steel replacement door springs for Kenmore Elite refrigerators.

## 2. COMPATIBILITY

These replacement door springs are compatible with various Kenmore Elite Refrigerator models. Please verify your refrigerator's model number against the list below to ensure proper fit.

**Compatible Models:**

- 795.71033.010
- 795.71053.011
- 795.71054.010
- 795.71099.111
- 795.71056.011

# COMPATIBILITY



**Fits Many Kenmore Elite Refrigerator Models :79571099111 795.71056.011  
79571054010 795.71099.111 795.71054.010.**

Image: A Kenmore Elite Refrigerator Door Spring shown alongside a refrigerator, illustrating its application.

## 3. PRODUCT SPECIFICATIONS

Feature	Detail
Material	Heavy-Duty Steel Construction
Dimensions (L x W)	Approximately 1 inch x 0.5 inch
Weight	Approximately 0.634 ounces per spring
Quantity per Package	3 pieces
Special Features	Sturdy, Durable, Tested for performance

# PRODUCT DIMENSIONS

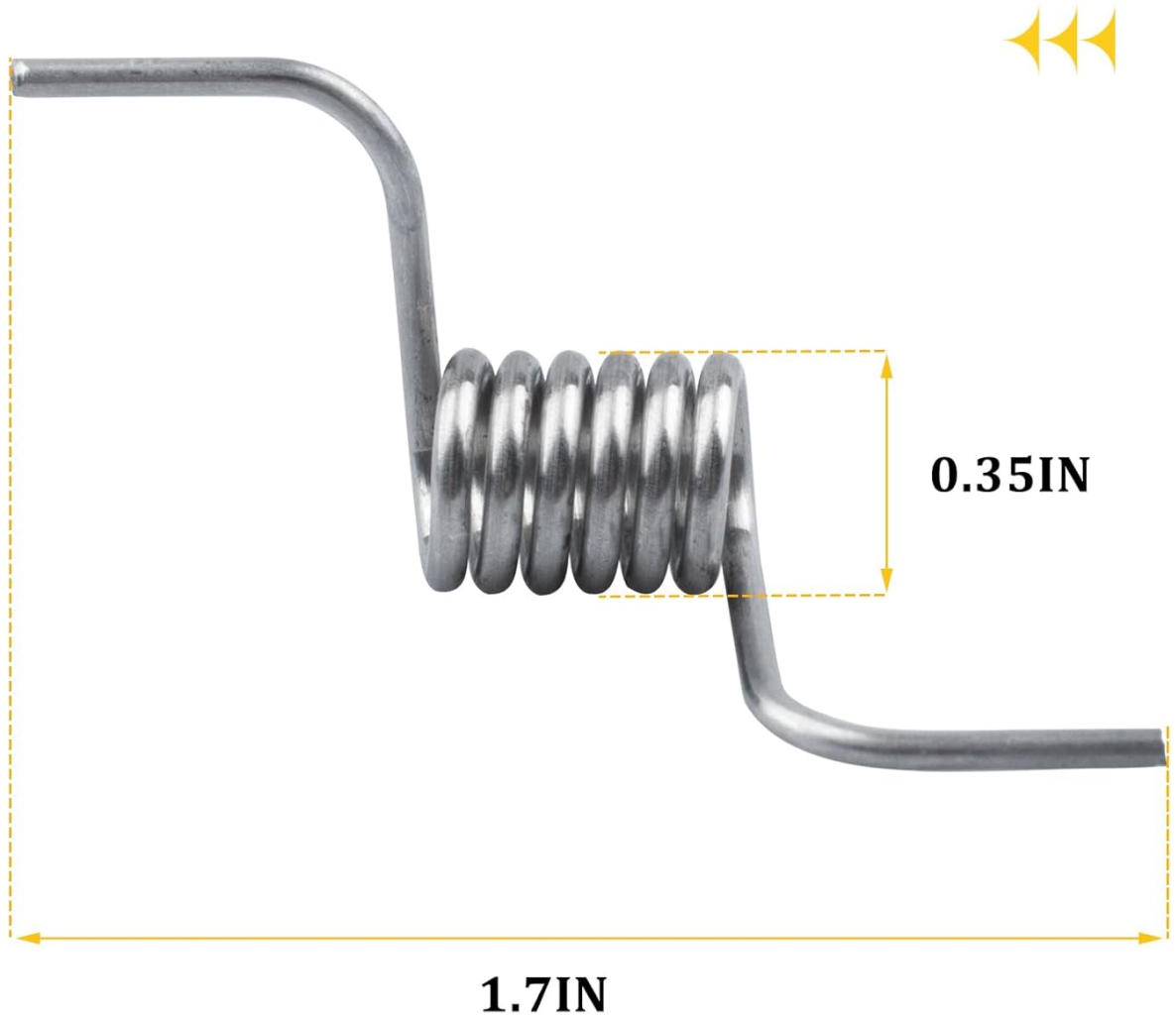


Image: A detailed diagram illustrating the dimensions of the refrigerator door spring.

## 4. INSTALLATION INSTRUCTIONS

Replacing the refrigerator door spring is a straightforward process. Follow these steps carefully to ensure correct installation and to avoid damage to your appliance.

### 4.1. Safety Precautions

- Always unplug the refrigerator from the power outlet before beginning any repair or maintenance.
- Wear appropriate safety gear, such as gloves, to protect your hands.
- If unsure about any step, consult a qualified technician.

### 4.2. Step-by-Step Installation

1. **Identify the Spring Location:** The door springs are typically located at the bottom hinge of the refrigerator

door. You may need to gently lift the door or remove a cover to access them.

2. **Remove the Old Spring:** Carefully remove the old or damaged refrigerator door spring. Note its orientation and how it was installed, as the new spring will be installed in the same manner.
3. **Insert the New Spring:** Take one of the new BKIFU Kenmore Elite Refrigerator Door Springs. Align it with the designated slots or pins on the refrigerator door hinge.
4. **Secure the Spring:** Gently push or rotate the spring until it is securely seated in its position. Ensure both ends of the spring are properly engaged.
5. **Test the Door:** Once the new spring is installed, carefully open and close the refrigerator door a few times to ensure it operates smoothly and closes properly.
6. **Repeat if Necessary:** If your refrigerator door uses multiple springs, repeat the process for each spring.
7. **Restore Power:** Once all springs are replaced and the door functions correctly, plug the refrigerator back into the power outlet.

## EASY TO INSTALL

**First remove the old or damaged refrigerator Door Spring and replace them with our new Kenmore Elite refrigerator Door Spring a simple installation takes only a few seconds and can revitalize your refrigerator.**



**SPRING**



Image: Visual guide demonstrating the ease of installation for the refrigerator door spring.

## 5. OPERATION AND FUNCTION

The refrigerator door spring is a critical component that assists in the smooth opening and closing of the refrigerator door, ensuring a proper seal. A properly functioning spring helps maintain the refrigerator's energy efficiency by preventing cold air from escaping.

After installation, the door should feel firm yet easy to open, and it should close securely without excessive force. If the door feels loose, sags, or does not close completely, re-check the spring installation.

## 6. MAINTENANCE

These heavy-duty steel springs are designed for durability and long-term performance. Regular maintenance is minimal but can help extend the lifespan of your refrigerator door mechanism.

- **Periodic Inspection:** Periodically inspect the door springs for any signs of wear, corrosion, or damage.
- **Cleaning:** If dust or debris accumulates around the hinge area, gently clean it with a soft, dry cloth. Avoid using harsh chemicals.
- **Lubrication (Optional):** If the hinge mechanism feels stiff, a small amount of food-grade lubricant can be applied to the hinge pivot points, avoiding direct contact with the spring itself unless specified by the refrigerator manufacturer.

## HIGH QUALITY

**The Kenmore Elite refrigerator Door Spring is made of high-quality materials-Heavy Duty Steel Construction Will not break sturdy and durable.It rigorously tested by the manufacturer to ensure that the product's performance is intact and can be used for a long period of time**



**STEEL**



Image: A close-up view highlighting the robust construction of the heavy-duty steel spring, designed for durability.

## 7. TROUBLESHOOTING

If you encounter issues after installing the new door springs, refer to the following common problems and solutions:

Problem	Possible Cause	Solution
Door does not close completely or sags.	Spring not properly seated; incorrect spring type; hinge damage.	Ensure the spring is fully engaged in its slots. Verify the spring is the correct model for your refrigerator. Inspect hinges for damage.
Door feels too stiff or too loose.	Incorrect spring tension (unlikely with fixed springs); multiple springs not replaced.	Confirm all necessary springs have been replaced. Ensure no obstructions are preventing smooth door movement.
Spring breaks shortly after installation.	Improper installation; manufacturing defect.	Review installation steps. Contact customer support for warranty claim if defect is suspected.

## 8. WARRANTY INFORMATION

This product comes with a **180-day warranty** from the date of purchase. This warranty covers manufacturing defects and ensures 100% refund or replacement for eligible issues. The product has been rigorously tested by the manufacturer to ensure performance and durability.

For warranty claims or questions, please refer to the contact information provided in the support section.

## 9. CUSTOMER SUPPORT

If you have any questions, require assistance with installation, or need to make a warranty claim, please contact our customer support team. We are committed to providing quality service and support.

**Contact Information:**

**Manufacturer:** BKIFU

**Online Support:** Refer to the seller's contact information on the platform where the product was purchased.

**Product ASIN:** B0CSFSGNFJ