

[Manuals.plus](#) /

> [vidaXL](#) /

> [vidaXL 2-Seater Sofa Instruction Manual](#)

vidaXL 359471

vidaXL 2-Seater Sofa Instruction Manual

MODEL: 359471

1. Introduction

Thank you for purchasing the vidaXL 2-Seater Sofa. This manual provides essential information for the safe assembly, operation, and maintenance of your new sofa. Please read these instructions carefully before assembly and retain them for future reference.

2. Safety Information

To ensure safe use and prolong the life of your sofa, please observe the following safety guidelines:

- Always assemble the sofa on a soft, clean surface to prevent scratches.
- Ensure all bolts and screws are securely tightened before use. Periodically check and re-tighten as necessary.
- Do not exceed the maximum weight capacity of 110 kg per seat.
- Keep children and pets away from the assembly area. Small parts can be a choking hazard.
- Avoid placing the sofa near open flames, heat sources, or direct sunlight to prevent damage to the fabric.
- Do not stand or jump on the sofa.

3. Package Contents

Please verify that all components are present before beginning assembly. If any parts are missing or damaged, contact customer support.

- Sofa Frame Components
- Seat Cushions
- Back Cushions
- Armrests

- Legs (Wooden)
- Assembly Hardware (Screws, Bolts, Allen Key)
- Instruction Manual

4. Setup and Assembly

Assembly is required for this product. It is recommended to have two people for assembly. Approximate assembly time: 1-2 hours.

1. **Unpack Components:** Carefully remove all parts from the packaging and lay them out on a soft, clean surface to prevent damage.
2. **Attach Legs:** Identify the sofa legs and attach them to the designated points on the bottom of the sofa frame. Ensure they are securely tightened.
3. **Assemble Frame:** Connect the main frame components (backrest, seat base, armrests) using the provided hardware. Follow the diagrams in the separate assembly sheet for specific steps.
4. **Insert Cushions:** Once the frame is fully assembled and stable, place the seat cushions onto the seat base and the back cushions against the backrest.
5. **Final Check:** Verify that all connections are tight and the sofa is stable before use.

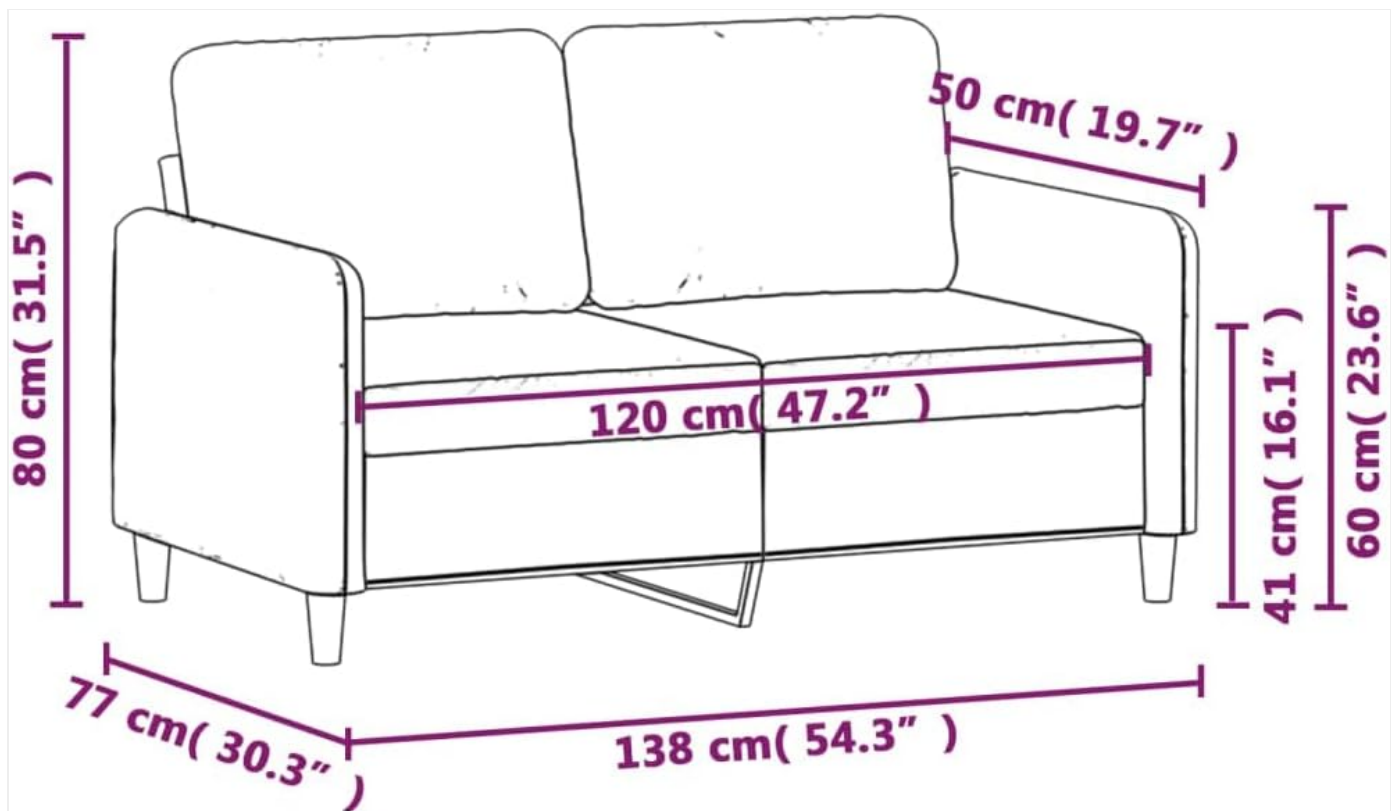


Figure 4.1: Sofa Dimensions Diagram. This diagram illustrates the overall dimensions of the sofa, including width (138 cm), depth (77 cm), and height (80 cm), along with seat width (120 cm), seat depth (50 cm), seat height (41 cm), and armrest height (60 cm).



Figure 4.2: Assembled Sofa Front View. This image shows the complete 2-seater sofa from the front, highlighting its dark grey fabric upholstery and wooden legs.

5. Operating Instructions

The vidaXL 2-Seater Sofa is designed for comfortable seating in your living space. Simply place it in your desired location and enjoy its comfort. No complex operation is required.



Figure 5.1: Sofa in a Living Room Setting. This image displays the sofa integrated into a home environment, demonstrating its aesthetic appeal and functional use.

6. Maintenance

Proper care and maintenance will help preserve the appearance and longevity of your sofa.

- **Regular Cleaning:** Vacuum the sofa regularly using a soft brush attachment to remove dust and loose debris.
- **Spot Cleaning:** For spills, immediately blot with a clean, dry cloth. Do not rub. For stubborn stains, use a mild fabric cleaner specifically designed for upholstered furniture, testing on an inconspicuous area first.
- **Avoid Direct Sunlight:** Prolonged exposure to direct sunlight can cause fabric fading. Position your sofa away from direct sun exposure or use curtains/blinds.
- **Avoid Harsh Chemicals:** Do not use abrasive cleaners, bleach, or strong chemical solvents, as these can damage the fabric.
- **Rotate Cushions:** Periodically rotate and fluff cushions to ensure even wear and maintain their shape.

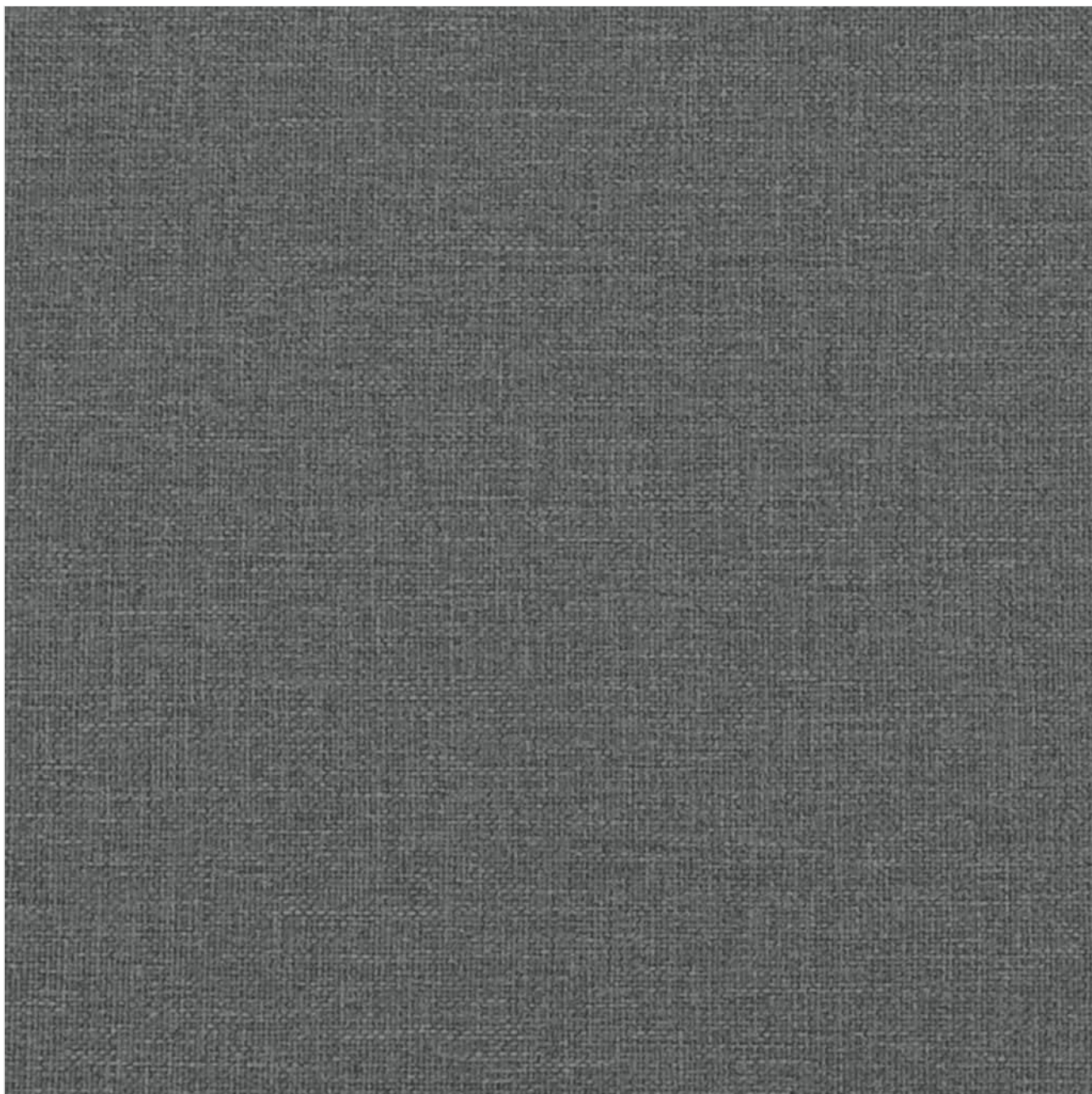


Figure 6.1: Fabric Texture Detail. This close-up image shows the weave and texture of the dark grey polyester fabric used for the sofa upholstery.

7. Troubleshooting

If you encounter any issues with your sofa, refer to the table below for common problems and solutions.

Problem	Possible Cause	Solution
Sofa feels wobbly or unstable.	Loose assembly hardware or uneven floor.	Check and tighten all bolts and screws. Ensure the sofa is on a level surface. Adjust leg levelers if present.
Fabric appears discolored or faded.	Prolonged exposure to direct sunlight.	Relocate the sofa away from direct sunlight or use window coverings.
Cushions losing shape.	Lack of rotation or fluffing.	Regularly rotate and fluff cushions to maintain their loft and shape.

8. Specifications

Feature	Detail
Model Number	359471
Overall Dimensions (W x D x H)	138 cm x 77 cm x 80 cm (54.3" x 30.3" x 31.5")
Seat Width	120 cm (47.2")
Seat Depth	50 cm (19.7")
Seat Height from Floor	41 cm (16.1")
Armrest Height from Floor	60 cm (23.6")
Color	Dark Grey
Material	Fabric (100% Polyester), Metal, Textilene
Filling Material	Sponge
Maximum Load Capacity (per seat)	110 kg (242.5 lbs)
Assembly Required	Yes

9. Warranty and Support

For warranty information or technical support, please refer to the purchase documentation or contact vidaXL customer service directly. Keep your proof of purchase for any warranty claims.

You can visit the official vidaXL store for more information: [vidaXL Official Store](#)