



Manuals.plus /

- › **Coaster Fine Furniture /**
- › Coaster Home Furnishings Risley Circular LED Home Bar Cabinet Model 182799 User Manual

Coaster Fine Furniture 182799

Coaster Home Furnishings Risley Circular LED Home Bar Cabinet

MODEL: 182799

Brand: Coaster Fine Furniture

1. PRODUCT OVERVIEW

The Coaster Home Furnishings Risley Circular LED Home Bar Cabinet, Model 182799, is a contemporary furniture piece designed for home entertainment. It features a circular metal frame, a dark charcoal finish, two cabinet doors for concealed storage, a 3-tier bottle storage area, and a stemware rack. Integrated LED lighting enhances its modern design and functionality.



Figure 1: Fully assembled Risley Home Bar Cabinet.

2. SAFETY INFORMATION

- Read all instructions carefully before assembly and use.
- Keep all hardware and small parts out of reach of children.
- Assemble the unit on a soft, clean surface to prevent scratches.
- Ensure all connections are secure before placing items on or in the cabinet.
- Do not overload shelves or racks. The maximum weight capacity is 300 pounds.
- This product is designed for indoor use only.
- Use caution when handling glass components to avoid injury.
- Proposition 65 Warning: This product can expose you to chemicals including formaldehyde, which is known to the State of California to cause cancer. For more information go to www.P65Warnings.ca.gov/furniture.

3. PACKAGE CONTENTS

Verify that all components are present before beginning assembly. If any parts are missing or damaged, contact customer support.

- Circular Metal Frame (Main Structure)
- Top Shelf/Bar Surface
- Base Unit
- Cabinet Body with 2 Doors
- 3-Tier Bottle Storage Racks
- Stemware Rack
- LED Lighting Strip and Power Adapter
- Assembly Hardware (screws, bolts, connectors, etc.)
- Assembly Tools (if included)

4. ASSEMBLY INSTRUCTIONS

Assembly is required for this product. It is recommended to have two people for assembly. Please follow the steps below carefully.

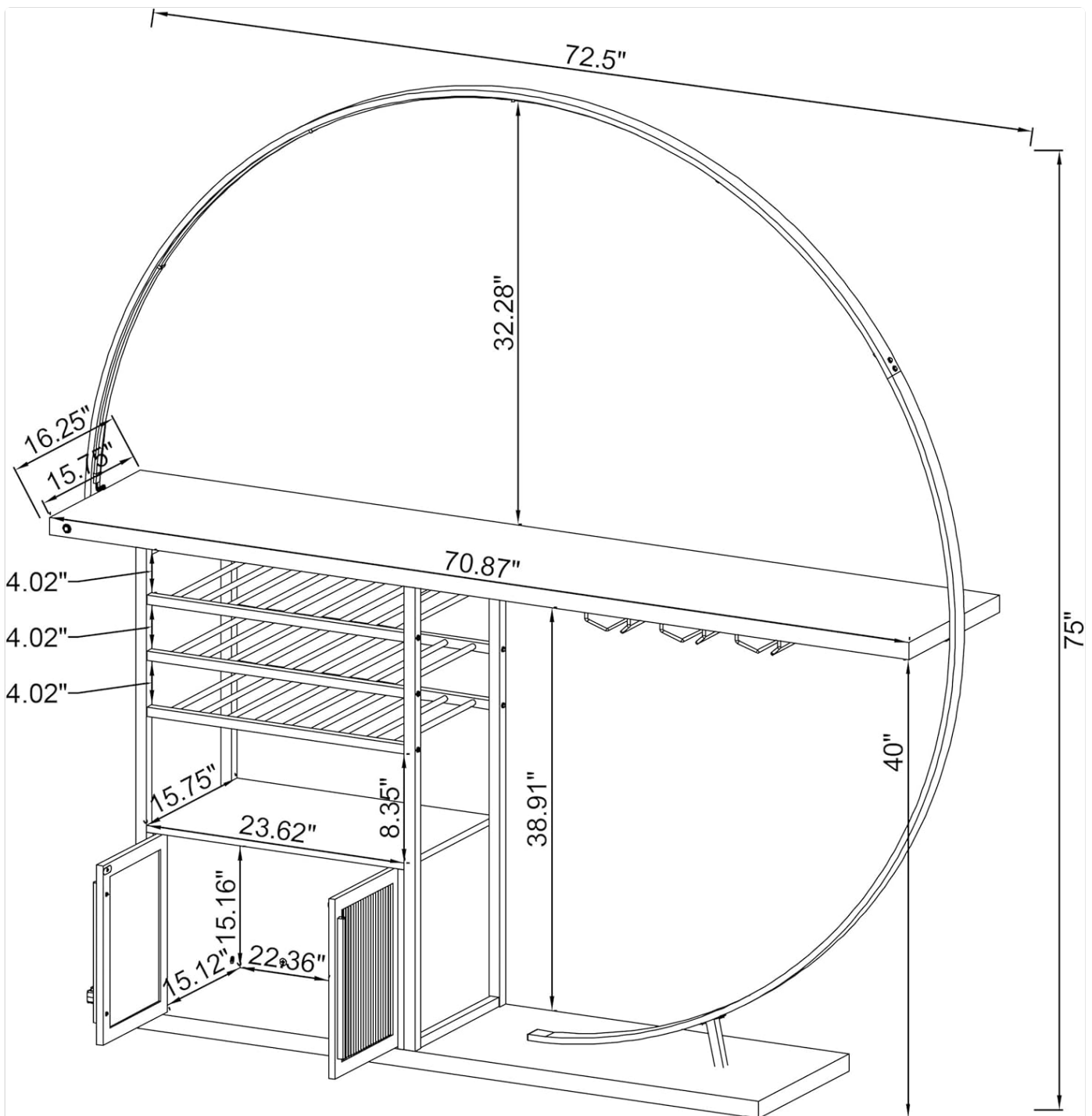


Figure 2: Assembly diagram and dimensions.

1. **Unpack Components:** Carefully remove all parts from the packaging. Lay them out on a clean, soft surface to prevent damage.
2. **Assemble Base Unit:** Attach the vertical supports to the main base platform using the provided hardware. Ensure they are firmly secured.
3. **Install Circular Frame:** Connect the circular metal frame to the base unit. Pay attention to the orientation as shown in the diagram (Figure 2). Secure with appropriate fasteners.
4. **Attach Cabinet Body:** Mount the two-door cabinet body to the designated area on the base and vertical supports. Ensure doors open and close smoothly.
5. **Insert Bottle Storage Racks:** Slide the 3-tier bottle storage racks into their respective slots within the cabinet structure.
6. **Mount Stemware Rack:** Secure the stemware rack to the underside of the top shelf/bar surface.
7. **Place Top Shelf:** Carefully position the top shelf/bar surface onto the assembled frame and secure it.

8. **Install LED Lighting:** Adhere the LED lighting strip along the inner curve of the circular frame. Connect the power adapter and route the cable discreetly.
9. **Final Check:** Verify all screws and connections are tight. Ensure the unit is stable and level.



Figure 3: Front view of the assembled bar cabinet.





Figure 4: Side view of the assembled bar cabinet.



Figure 5: Back view of the assembled bar cabinet.

5. OPERATING INSTRUCTIONS (LED LIGHTING)

The Risley Home Bar Cabinet features integrated LED lighting to enhance its aesthetic. The LED strip is typically controlled via an inline switch or a remote control (if included). Refer to the specific LED controller instructions for detailed operation.

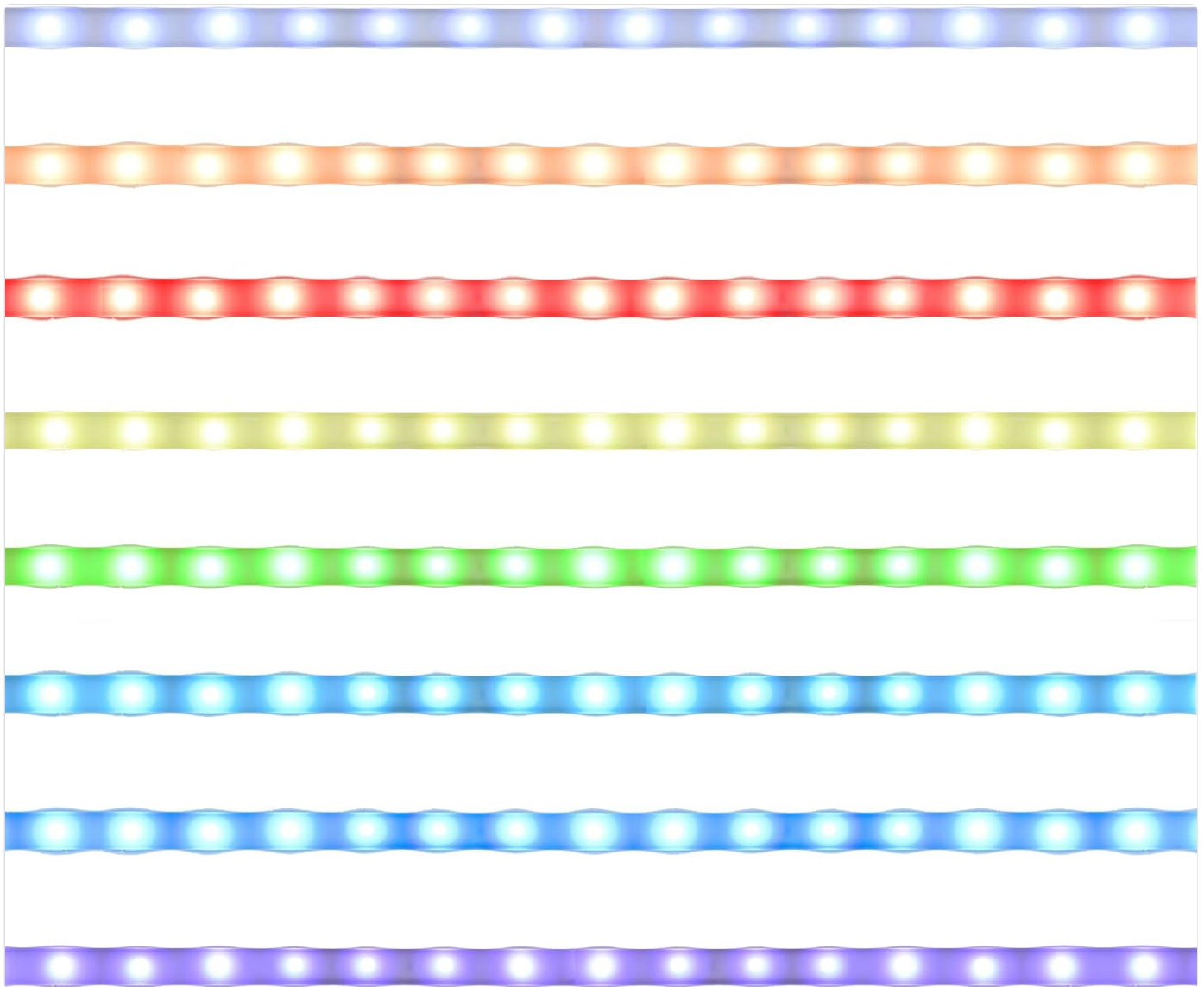


Figure 6: Detail of the LED lighting strip.

- **Power On/Off:** Connect the power adapter to a standard electrical outlet. Use the switch on the power cord or remote to turn the lights on or off.
- **Color Selection:** If your LED system includes color-changing capabilities, use the remote control to select desired colors (e.g., blue, red, green, purple, yellow, light blue, white).
- **Brightness Adjustment:** Adjust the brightness levels using the remote control.
- **Mode Selection:** Some LED systems offer various lighting modes (e.g., static, fade, flash). Refer to your LED controller's manual for specific mode options.



Blue LED lighting.



Red LED lighting.



Green LED lighting.



Purple LED lighting.

6. STORAGE FEATURES

The Risley Home Bar Cabinet is designed with multiple storage options to organize your bar essentials.

- **3-Tier Bottle Storage:** Dedicated racks provide secure storage for multiple wine or spirit bottles.
- **Stemware Rack:** An integrated rack under the top shelf allows for convenient hanging storage of wine glasses.
- **Two-Door Cabinet:** A lower cabinet with two doors offers concealed storage for larger bottles, bar tools, or other items.



Figure 7: Detail of bottle storage.

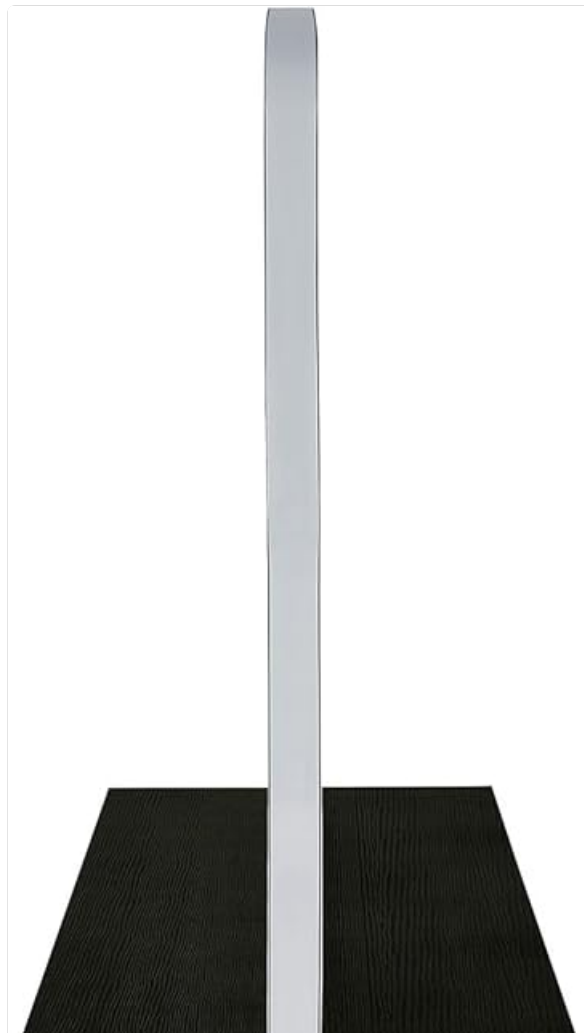




Figure 8: Detail of stemware rack.



Figure 9: Interior view of the two-door cabinet.

7. MAINTENANCE

Proper care and maintenance will ensure the longevity and appearance of your bar cabinet.

- **Cleaning:** Wipe surfaces with a dry, soft cloth. Avoid abrasive cleaners or harsh chemicals that may damage the finish.
- **Spills:** Immediately wipe up any spills to prevent staining or damage to the wood and metal components.
- **LED Lights:** Ensure the LED strip and power adapter are kept dry. Do not attempt to repair or modify the LED system yourself.

- **Hardware:** Periodically check and tighten all assembly hardware to maintain stability.
- **Placement:** Avoid placing the cabinet in direct sunlight or near heat sources to prevent material degradation.



Figure 10: Detail of the dark charcoal finish.

8. TROUBLESHOOTING

- **Unit is Wobbly:** Ensure all screws and bolts are fully tightened. Check that the unit is on a level surface.
- **LED Lights Not Working:** Verify the power adapter is securely plugged into both the LED strip and the wall outlet. Check for any damage to the power cord or LED strip. If using a remote, ensure batteries are functional.
- **Doors Not Closing Properly:** Check hinges for proper alignment and tightness. Adjust if necessary. Ensure no obstructions are preventing the doors from closing.
- **Missing Parts:** Refer to the 'Package Contents' section. If parts are missing, contact Coaster Fine Furniture customer support.

9. SPECIFICATIONS

Feature	Detail
Brand	Coaster Fine Furniture
Model Number	182799
Model Name	Risley
Color	Dark Charcoal/Chrome
Material	Metal, PVC Laminate, Particle Board (PB), Polystyrene
Product Dimensions (D x W x H)	16.25"D x 72.5"W x 75"H
Item Weight	94.07 Pounds
Weight Capacity Maximum	300 Pounds
Number of Doors	2
Number of Shelves	3 (for bottle storage)
Additional Features	Bottle Storage, Illuminated (LED), Stemware Rack
Installation Type	Freestanding
Required Assembly	Yes
Product Care Instructions	Wipe with Dry Cloth

10. WARRANTY AND SUPPORT

For warranty information and customer support, please refer to the product description or the store page where the item was purchased. You may also visit the official Coaster Fine Furniture website for further assistance.

Contact information for Coaster Fine Furniture can typically be found on their official website: www.coasterfurniture.com