

## Manuals+

[Q & A](#) | [Deep Search](#) | [Upload](#)

manuals.plus /

› [HUIOP](#) /

› [HUIOP Mini Turbo Jet Fan Instruction Manual](#)

**HUIOP 7863925d-f7c3-4531-9e5a-6b0ab9331cf2**

# HUIOP Mini Turbo Jet Fan Instruction Manual

Model: 7863925d-f7c3-4531-9e5a-6b0ab9331cf2

## 1. INTRODUCTION

Thank you for choosing the HUIOP Mini Turbo Jet Fan. This compact and powerful rechargeable blower is designed for various applications, offering high performance in a portable form factor. Please read this manual thoroughly before use to ensure proper operation and maintenance.

## 2. SAFETY INSTRUCTIONS

- Keep the device away from water and moisture. Do not operate with wet hands.
- Do not insert objects into the fan's air inlet or outlet.
- Use only the provided charging cable or a certified Type-C cable for charging.
- Do not attempt to disassemble, repair, or modify the device. Contact customer support for assistance.
- Store the fan in a cool, dry place, away from direct sunlight and extreme temperatures.
- Keep out of reach of children.
- Avoid prolonged exposure to the high-speed airflow on skin or sensitive surfaces.

## 3. PACKAGE CONTENTS

Verify that all items are present in your package:

- HUIOP Mini Turbo Jet Fan Main Unit
- Detachable Nozzle
- Safety Hammer Head (Attachment)
- Blower Head (Attachment)
- USB-C Charging Cable



The HUIOP Mini Turbo Jet Fan, shown with its main unit, a detachable nozzle, and the included USB-C charging cable for convenient power replenishment.

# Multifunctional Buckle Component

Suitable for all application scenarios



More components are still in development ~

This image illustrates the HUIOP Mini Turbo Jet Fan's versatility, showcasing the main unit with a detachable nozzle, a safety hammer head, and a blower head, highlighting its multifunctional design.

## 4. SETUP

### 4.1 Charging the Device

1. Connect the USB-C charging cable to the charging port on the fan.
2. Plug the other end of the cable into a compatible USB power adapter (not included) or a computer USB port.
3. The indicator light will show charging status. Ensure the device is fully charged before first use.

### 4.2 Attaching/Detaching Nozzles

1. To attach a nozzle (e.g., detachable nozzle, safety hammer head, or blower head), align the nozzle with the fan's air outlet.
2. Gently push and twist until it securely locks into place. The swivel snap mechanism ensures a firm connection.
3. To detach, twist the nozzle in the opposite direction and pull it off.

# 130000 RPM MOTOR

Aluminium alloy fan  
shaped by CNC sculpturing.



## EXCHANGABLE HEADS

Especially designed for multiple cleaning purposes



This image provides a detailed look at the HUIOP Mini Turbo Jet Fan's 130000 RPM motor and illustrates the concept of exchangeable heads, including a blower head, designed for multiple cleaning and drying purposes.

## 5. OPERATING INSTRUCTIONS

### 5.1 Powering On/Off

- To power on the fan, press and hold the power button located on the handle.
- To power off, press and hold the power button again.

### 5.2 Adjusting Airflow Speed

- The HUIOP Mini Turbo Jet Fan features an infinitely variable speed control.
- Once powered on, short press the power button to cycle through different speed levels or use the designated control (if available via app, as per specifications) to precisely adjust the airflow.

### 5.3 Recommended Uses

This fan is suitable for various indoor applications, including:

- Drying surfaces or objects.
- Dusting electronics or hard-to-reach areas.
- General air blowing tasks.



The HUIOP Mini Turbo Jet Fan in action, demonstrating its use in a workshop environment. The image also points out features such as infinitely variable speed control, brushed finish craftsmanship, PC material construction, and a swivel snap mechanism.



A side profile of the HUIOP Mini Turbo Jet Fan, emphasizing its robust PC material construction and brushed finish, which contributes to its durability and grip.



A top-down view of the HUIOP Mini Turbo Jet Fan, featuring the 'Gale Force S' inscription on its upper surface, indicating its powerful performance.

## 6. MAINTENANCE

---

### 6.1 Cleaning

- Ensure the fan is powered off and disconnected from the charger before cleaning.
- Wipe the exterior of the fan with a soft, dry cloth.
- Do not use abrasive cleaners, solvents, or immerse the device in water.
- Periodically check the air inlet and outlet for dust or debris and gently remove any obstructions.

### 6.2 Storage

- When not in use for extended periods, store the fan in its original packaging or a protective case.
- Store in a cool, dry environment.

## 7. TROUBLESHOOTING

### 7.1 Fan Not Turning On

- Ensure the battery is charged. Connect the fan to a power source using the USB-C cable and allow it to charge for at least 30 minutes.
- Verify that the power button is pressed and held correctly.

### 7.2 Reduced Airflow

- Check for any obstructions in the air inlet or outlet.
- Ensure the nozzle is securely attached.
- Confirm the battery is sufficiently charged, as low battery can affect performance.

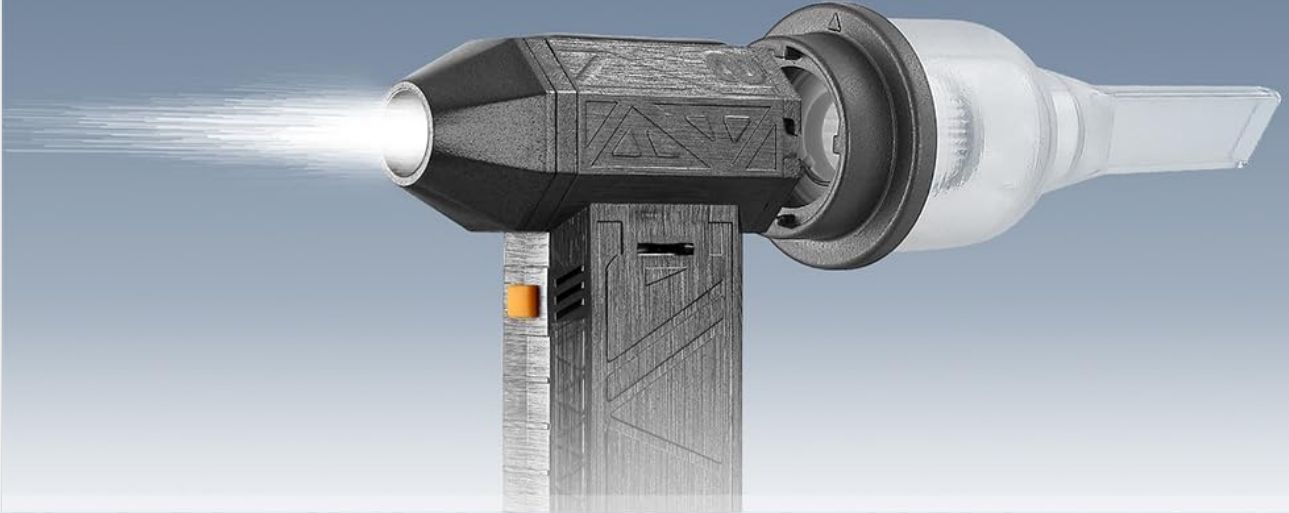
### 7.3 Charging Issues

- Ensure the USB-C cable is properly connected to both the fan and the power adapter.
- Try a different USB-C cable or power adapter to rule out faulty accessories.
- Check the charging port for any debris.

## 8. SPECIFICATIONS

<b>Brand</b>	HUIOP
<b>Model Name</b>	7863925d-f7c3-4531-9e5a-6b0ab9331cf2
<b>Rated Output</b>	15W
<b>Voltage</b>	7.4 Volts
<b>Battery Capacity</b>	8000mAh (Dual 21700 Lithium Batteries)
<b>Rated Speed</b>	130000 RPM
<b>Maximum Power</b>	120W
<b>Charging Port</b>	Type-C
<b>Approximate Use Time</b>	6-10 minutes (at maximum power); up to 4 hours (at lowest gear)
<b>Number of Blades</b>	Thirteen
<b>Maximum Wind Speed</b>	Over 52 meters per second
<b>Motor Type</b>	Brushless DC High-Speed Motor
<b>Control Method</b>	App (as per product specifications)
<b>Dimensions (L x W x H)</b>	6.5 x 4.53 x 1.97 inches
<b>Item Weight</b>	1.48 pounds (0.67 Kilograms)
<b>Power Levels</b>	Infinitely Variable Speed
<b>Reusability</b>	Rechargeable

# Product Parameters



- Rated output : 15W
- Voltage : 7.4v
- Capacity : 8000mAH
- Rated speed : 130000 RPM
- Charging port : TYPE-C
- Maximum power : 120W
- Time of use : 6-10 minutes
- Number of blades : Thirteen



A visual representation of the HUIOP Mini Turbo Jet Fan's key specifications, such as 15W rated output, 7.4V voltage, 8000mAh capacity, 130000 RPM rated speed, Type-C charging, 120W max power, 6-10 minutes use time, and thirteen blades.



 **Brushless DC high-speed motor**

 **130000 PRM**

 **Maximum Wind Speed over 52 meters per sec**

This image displays the physical dimensions of the HUIOP Mini Turbo Jet Fan (5.5 inches height, 3.14 inches width, 1.8 inches depth) and highlights its brushless DC high-speed motor, 130000 RPM, and maximum wind speed over 52 meters per second.



## 130000 RPM High-Speed Brushless Motor

Brushless high-speed motor, with a maximum output speed of 130000 RPM, strong power, long-lasting stability, and long load without burning the machine.

## Ultra Long Range Dual 21700 Batteries

Built in 2pcs 21700 high capacity lithium batteries, with a theoretical battery life of up to four hours (one gear), making it more durable to use!



An illustration detailing the internal components of the HUIOP Mini Turbo Jet Fan, specifically its 130000 RPM brushless motor and the ultra-long-range dual 21700 high-capacity lithium batteries, designed for extended use.

## 9. WARRANTY AND SUPPORT

For warranty information or technical support, please refer to the documentation provided with your purchase or contact the seller directly. Keep your proof of purchase for any warranty claims.