

[Manuals.plus](#) /

> [GATHERSKY](#) /

> GATHERSKY Roof Bike Rack Instruction Manual

GATHERSKY Roof Bike Rack

GATHERSKY Roof Bike Rack Instruction Manual

Model: Roof Bike Rack

For secure and convenient bicycle transport on your vehicle's roof.

1. PRODUCT OVERVIEW

The GATHERSKY Roof Bike Rack is designed to securely transport one bicycle on the roof of your car or SUV. It features a robust construction and an intuitive design for easy loading and unloading, ensuring your bike remains stable during transit without contact to the bike frame.



Image: GATHERSKY Roof Bike Rack securely holding a bicycle on a vehicle's roof.

2. KEY FEATURES

- **Enhanced Bike Security:** Two pivoting upright arms firmly hold the bike by its wheels, eliminating the need for front wheel removal and preventing contact with the bike frame.
- **Integrated Tightening System:** Features an integrated knob adjuster for quick and easy bicycle adjustment and fixation. The ratchet lock mode allows for one-hand release of the bike.
- **Versatile Size Adaptation:** Designed for one bike up to 44 lbs. Compatible with most 18-29 inch wheel bicycles, tires up to 3.1 inches wide, and a wheelbase up to 48 inches.
- **Space-Saving Folding Design:** The arms fold down when not in use, providing a compact storage solution and reducing vehicle height.
- **Durable Construction:** Constructed from black aluminum and thickened black powder-coated steel for long-lasting durability and corrosion resistance.
- **Crossbar Compatibility:** Suitable for removable crossbars with a recommended center distance between 19.68 inches and 47.25 inches. Maximum crossbar dimensions are 3.15 inches wide x 1.6 inches tall. Includes both T-bolts and U-bolts for mounting.

Stable and Safe Design



Image: Illustration detailing the stable and safe design of the bike rack, including easy tightening and one-hand release mechanisms.

3. SETUP AND INSTALLATION

The GATHERSKY Roof Bike Rack is designed for straightforward assembly and installation. All necessary parts and tools are included. Please follow the steps below for secure mounting.

3.1 Unpacking and Component Check

Carefully unpack all components. Verify that all parts listed in the enclosed instructions are present and undamaged before proceeding with assembly.

3.2 Assembly of the Rack

Assemble the main frame of the bike rack according to the provided illustrated instructions. Ensure all bolts and fasteners are tightened securely.

Product Size



Image: Overview of the product dimensions, useful for assembly and placement.

3.3 Mounting to Vehicle Crossbars

The rack can be mounted using either T-bolts or U-bolts, depending on your vehicle's crossbar type. Ensure your crossbars are removable and meet the specified dimensions (19.68" to 47.25" center distance, max 3.15" wide x 1.6" tall).

- Position the bike rack centrally on your vehicle's crossbars.
- Utilize the appropriate T-bolts or U-bolts to secure the rack to the crossbars.
- Tighten all mounting hardware firmly to prevent any movement of the rack during travel.

Crossbars Requirements



**Only Suitable for Removable Crossbars.
Comes with T- and U-bolts.**

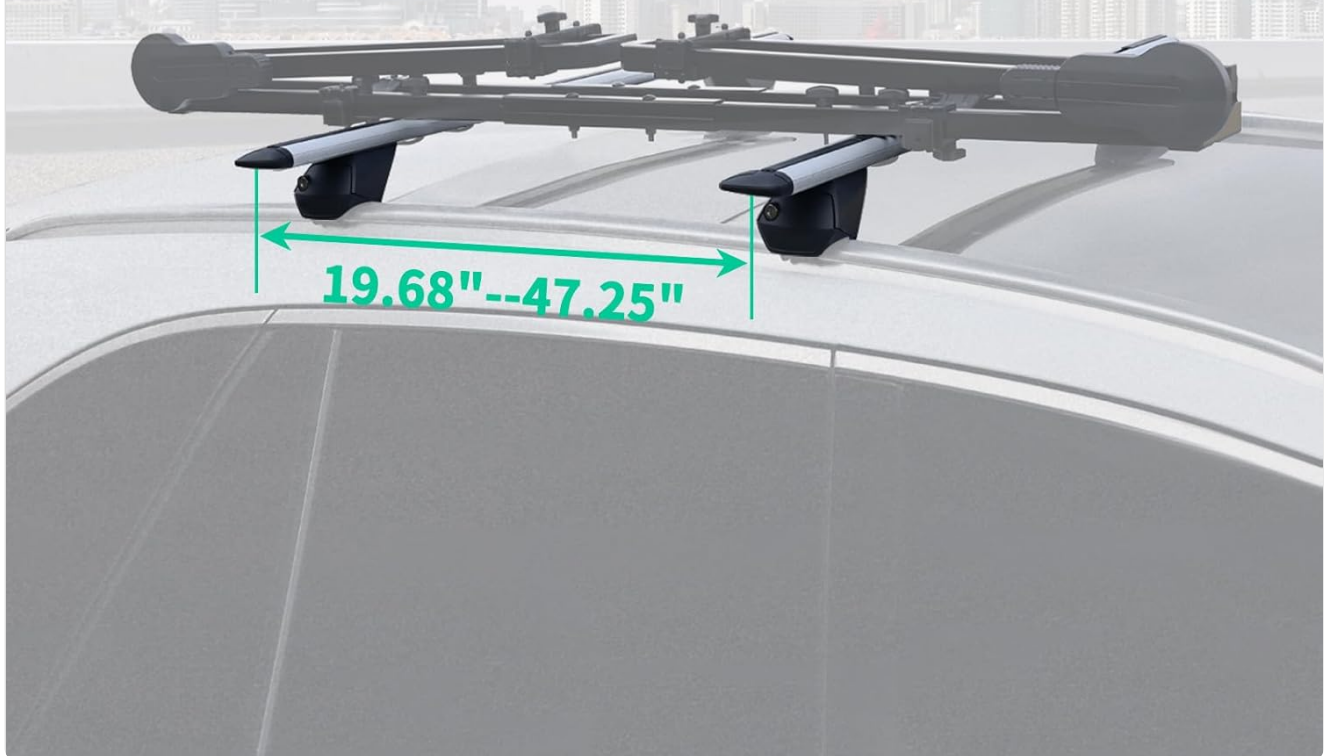


Image: Visual guide for crossbar requirements and optimal spacing for rack installation.

After installation, gently shake the rack to confirm it is securely attached and does not wobble.

4. OPERATING INSTRUCTIONS

Loading and unloading your bicycle is designed to be simple and efficient with the GATHERSKY Roof Bike Rack.

4.1 Loading a Bicycle

1. Ensure the pivoting upright arms are in their open position.
2. Carefully lift your bicycle onto the rack, aligning its wheels with the rack's wheel trays.
3. Bring the pivoting upright arms up to firmly secure both the front and rear wheels.
4. Use the integrated tightening knob adjuster to further secure the bike. Turn the knob until the bike is held firmly in place without excessive force.

5. Verify that the bike is stable and does not move when gently pushed.

One Bike Capacity

Up to 44lbs per bike



18-29 Wheel Size



48 in Max Wheelbase



3.1 in Max Tire Width



Image: A bicycle mounted on the rack, illustrating its capacity and secure fit.

4.2 Unloading a Bicycle

To unload, simply use the one-hand release mechanism to disengage the ratchet lock. Carefully lower the pivoting arms and lift the bicycle off the rack.

4.3 Folding for Storage

When not in use for extended periods, the rack's arms can be folded down for a more compact profile, reducing drag and improving vehicle aesthetics. This is achieved by releasing the securing mechanisms on the arms and folding them flat against the main bar.

FOLDABLE

Space Saving and Easy Storage ✓



Image: The bike rack shown in both its operational and folded positions, highlighting its space-saving design.

5. MAINTENANCE

Regular maintenance ensures the longevity and safe operation of your GATHERSKY Roof Bike Rack.

- **Cleaning:** Clean the rack periodically with mild soap and water to remove dirt, road grime, and salt. Rinse thoroughly and dry completely to prevent corrosion.
- **Inspection:** Before each use, inspect all components for signs of wear, damage, or loose fasteners. Pay close attention to the pivoting arms, tightening knobs, and mounting hardware.
- **Lubrication:** Lightly lubricate moving parts, such as the pivoting arm hinges and tightening knob threads, with a silicone-based lubricant as needed to ensure smooth operation.
- **Storage:** When not in use for extended periods, store the rack in a dry, protected area to prevent exposure to harsh weather conditions.

6. TROUBLESHOOTING

This section addresses common issues you might encounter with your bike rack.

6.1 Bike Not Securely Held

- **Check Wheel Size/Tire Width:** Ensure your bike's wheel size (18-29 inches) and tire width (up to 3.1 inches) are within the rack's specifications.
- **Tightening Knob:** Confirm the integrated tightening knob is fully tightened. It should hold the bike firmly without excessive play.
- **Pivoting Arms:** Ensure both pivoting arms are properly engaged and locked around the wheels.

6.2 Rack Wobbles on Crossbars

- **Mounting Hardware:** Re-check all T-bolts or U-bolts securing the rack to your crossbars. Ensure they are tightened to the maximum secure point.
- **Crossbar Compatibility:** Verify that your vehicle's crossbars meet the specified dimensions and are securely installed on your vehicle.

6.3 Bike Fenders/Racks Interfere with Mounting

- The rack's design secures the bike by its wheels. Bikes with large or extended fenders, or rear racks that significantly cover the tires, may interfere with the pivoting arms' ability to fully engage. Assess your bike's design for compatibility before purchase or consider temporary removal of interfering accessories.

6.4 Wind Noise During Travel

- Some roof-mounted accessories can generate wind noise, especially at higher speeds. Ensure the rack is properly installed and all components are tightly secured. Folding the arms down when not carrying a bike can help reduce noise.

7. SPECIFICATIONS

Brand	GATHERSKY
Model	Roof Bike Rack
Item Weight	23.1 pounds
Package Dimensions	31.2 x 8.7 x 7.6 inches
Country of Origin	China
Manufacturer Part Number	501
ASIN	B0CSDNN1ZN
Color	Black

Load Capacity	44 lb (per bike)
Mounting Type	U-Bolt (also T-bolt compatible)
Compatible Wheel Size	18-29 inches
Max Tire Width	3.1 inches
Max Wheelbase	48 inches
Crossbar Distance (Recommended)	19.68" to 47.25"
Max Crossbar Dimensions	3.15" wide x 1.6" tall
UPC	795602778951

8. WARRANTY AND SUPPORT

For any questions regarding product warranty, technical support, or replacement parts, please contact GATHERSKY customer service through the retailer where the product was purchased or visit the official GATHERSKY website for contact information.

Please retain your proof of purchase for warranty claims.

© 2025 GATHERSKY. All rights reserved.

This manual is for informational purposes only. Specifications are subject to change without notice.