



[Manuals.plus](#) /

- › [Harper & Bright Designs](#) /
- › Full Size Daybed with 4 Storage Drawers and Shelves User Manual

Harper & Bright Designs AGUO-LP002023AAE

Full Size Daybed with 4 Storage Drawers and Shelves User Manual

Brand: Harper & Bright Designs | Model: AGUO-LP002023AAE

INTRODUCTION

This manual provides detailed instructions for the assembly, operation, and maintenance of your Harper & Bright Designs Full Size Daybed. Designed for functionality and style, this daybed features four storage drawers and three integrated shelves, making it an ideal solution for optimizing space in any bedroom. Please read this manual thoroughly before beginning assembly or using the product to ensure safe and correct usage.



Image: The Harper & Bright Designs Full Size Daybed, showcasing its integrated storage and L-shaped headboard, set up in a room.

IMPORTANT SAFETY INFORMATION

Please adhere to the following safety guidelines to prevent injury or damage to the product:

- Do not load the daybed with more than **350 lbs**. Exceeding this weight limit may compromise the structural integrity of the bed.
- Exercise caution with **sharp edges** during assembly and handling of components.
- Always follow the assembly instructions carefully to ensure the bed's **stability and durability**. Improper assembly can lead to instability.
- Keep small parts and assembly tools away from **children** during the assembly process.
- Ensure all connections are securely tightened before use. Periodically check and re-tighten fasteners as needed.

PACKAGE CONTENTS

Before beginning assembly, verify that all components listed below are present and undamaged. If any parts are missing or damaged, please contact customer support.

- Bed Frame Components (Headboard, Side Rails, Footboard sections)
- Wooden Slats (10 pieces)
- 4 Storage Drawers (Drawer fronts, sides, backs, bottoms, and hardware)
- 3 Storage Shelf Panels
- Assembly Hardware (Screws, bolts, nuts, dowels, cam locks, etc.)
- All necessary assembly tools (Hex key, screwdriver, etc.)
- Installation Manual (This document)

ASSEMBLY INSTRUCTIONS

Before You Begin

- Clear a spacious area for assembly.
- Lay out all components on a soft, clean surface to prevent scratches.
- Identify each part by referring to the parts list and diagrams in the manual.
- It is recommended that **two adults** assemble this product.

Step-by-Step Assembly

1. **Assemble the Main Bed Frame:** Connect the headboard and side rails using the provided hardware. Ensure all connections are snug but do not overtighten until the frame is fully aligned.
2. **Install Support Legs:** Attach any central support legs to the main frame as indicated in the diagrams.
3. **Insert Slats:** Place the 10 wooden slats across the bed frame, securing them with the provided fasteners. Ensure even spacing for optimal mattress support.



Image: View of the daybed frame showing the wooden slats and the integrated storage compartments.

4. **Assemble Storage Drawers:** Follow the specific instructions for assembling each of the four drawers. Attach drawer slides and handles.
5. **Install Storage Shelves:** Position and secure the three storage shelf panels into their designated compartments within the bed frame structure.



Image: Another perspective of the daybed frame, highlighting the slat support system and the design of the storage areas.

6. **Insert Drawers:** Carefully slide the assembled drawers into their respective compartments. Ensure they glide smoothly.



Image: The daybed from the front, showing the four closed storage drawers and the overall compact design.

7. **Final Tightening:** Once all components are in place and aligned, go back and securely tighten all screws and bolts.

OPERATION AND USAGE

Using the Storage Drawers

The four pull-out drawers are designed for convenient storage of clothing, bedding, toys, or other personal items. Gently pull the handles to open and push to close. Avoid overloading drawers to ensure smooth operation and prevent damage to the slides.



Image: A close-up view of one of the daybed's storage drawers, demonstrating its capacity and smooth operation.

Utilizing the Shelves

The three integrated shelves provide open storage for books, decorative items, or frequently accessed essentials. Ensure items placed on shelves do not protrude excessively to avoid obstruction or accidental knocking.

Mattress Placement

Place a full-size mattress directly onto the wooden slats. A box spring is not required for this daybed. The recommended mattress thickness is **6 inches**. If a thinner mattress is used, a bunky board or additional support can be added to increase the overall height if desired.

CARE AND MAINTENANCE

- **Cleaning:** Wipe surfaces with a soft, damp cloth. Avoid harsh chemicals or abrasive cleaners that could damage the finish.
- **Dusting:** Regularly dust the bed frame and shelves with a dry, soft cloth.

- **Fasteners:** Periodically check all screws, bolts, and connections to ensure they remain tight. Re-tighten as necessary to maintain stability.
- **Avoid Moisture:** Protect the wood from excessive moisture and direct sunlight to prevent warping or fading.
- **Weight Distribution:** Distribute weight evenly on the bed to prevent undue stress on the frame and slats.

TROUBLESHOOTING

Problem	Possible Cause	Solution
Bed frame feels wobbly or unstable.	Loose fasteners; uneven assembly.	Ensure all bolts and screws are fully tightened. Disassemble and reassemble problematic sections if necessary, ensuring parts are correctly aligned.
Drawers do not slide smoothly or get stuck.	Improper drawer assembly; misaligned slides; overloaded drawer.	Check drawer assembly and ensure slides are correctly installed and aligned. Reduce contents if overloaded.
Slats appear weak or break.	Excessive weight; uneven weight distribution; manufacturing defect.	Ensure weight limit (350 lbs) is not exceeded. Distribute weight evenly. Contact customer support for replacement slats if defect is suspected.
Assembly takes longer than expected or is difficult.	Complex instructions; many parts; lack of assistance.	Review instructions carefully, paying attention to diagrams. Ensure all parts are correctly identified. Consider having a second person assist with assembly.

PRODUCT SPECIFICATIONS

SIZE: INCH

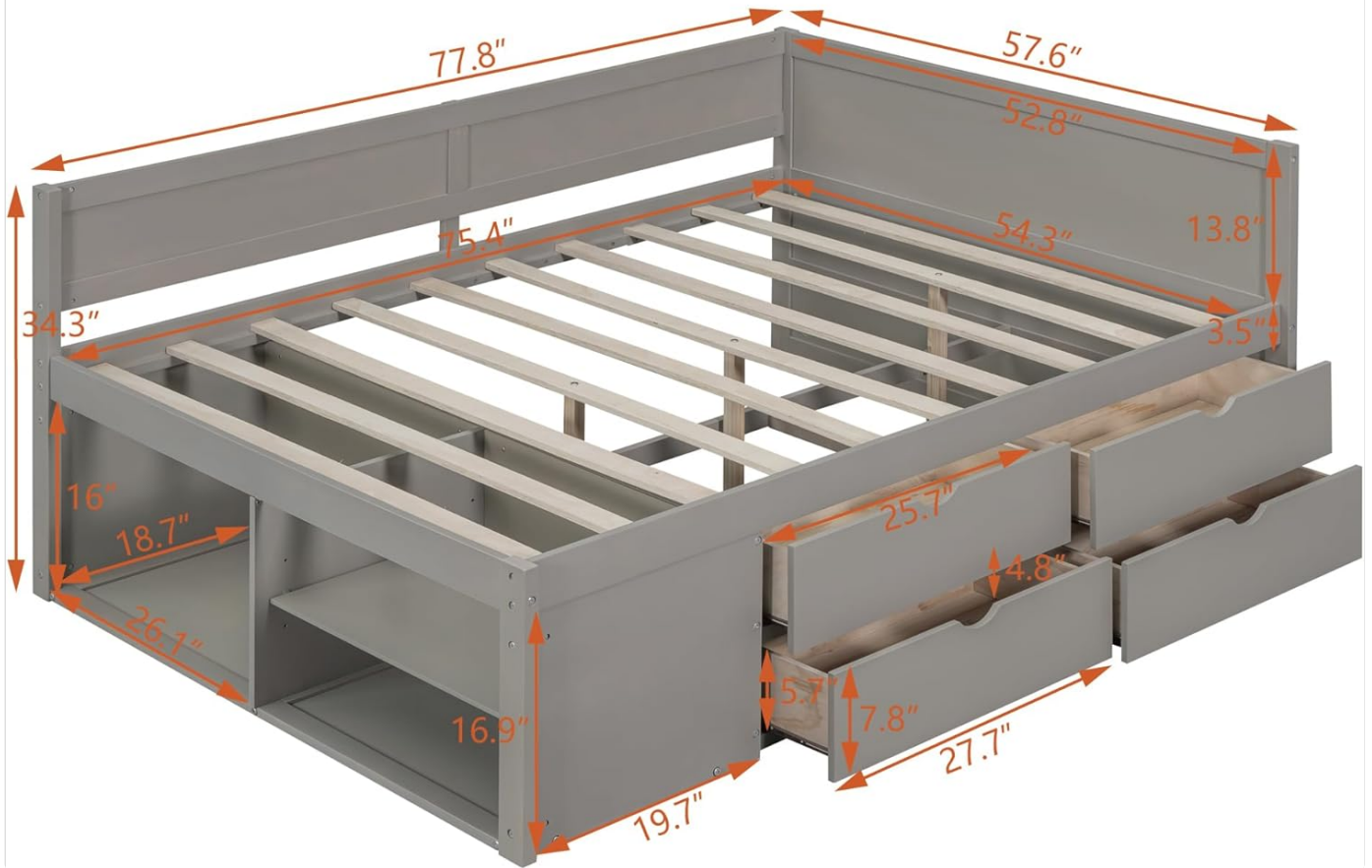


Image: Detailed diagram showing the dimensions of the Full Size Daybed.

Feature	Detail
Product Type	Daybed
Size	Full
Color	Gray With 4 Drawers
Material	Plywood+MDF+Pinewood
Overall Product Dimensions	77.8"L x 57.6"W x 34.3"H
Overall Product Weight	145.63 lbs
Weight Capacity	350 lbs
Recommended Mattress Thickness	6 inches
Number of Slats	10
Box Spring Required	No
Assembly Required	Yes
Number of Packages	2
Manufacturer	Harper & Bright Designs

Feature	Detail
Model Number	AGUO-LP002023AAE
UPC	196986861565

WARRANTY AND CUSTOMER SUPPORT

For any questions regarding assembly, missing parts, or product defects, please contact Harper & Bright Designs customer support. Refer to your purchase documentation for specific warranty details and contact information. Your satisfaction is our greatest motivation.

You can visit the official Harper & Bright Designs store for more information: [Harper & Bright Designs Store](#)