



Manuals.plus /

› YEAUPE PRO /

› YEAUPE PRO Bidet Toilet Seat User Manual

YEAUPE PRO F001-B1

YEAUPE PRO Bidet Toilet Seat User Manual

Model: F001-B1

PRODUCT OVERVIEW

The YEAUPE PRO Bidet Toilet Seat is a non-electric, soft-close toilet seat featuring self-cleaning double nozzles for enhanced hygiene. It is designed for universal O-shaped standard toilets, providing separate cleaning functions for posterior and feminine wash.

This product integrates a bidet function directly into the toilet seat, offering a convenient and hygienic solution without requiring electricity or complex plumbing modifications. Its soft-close mechanism ensures quiet operation and prevents accidental slamming.



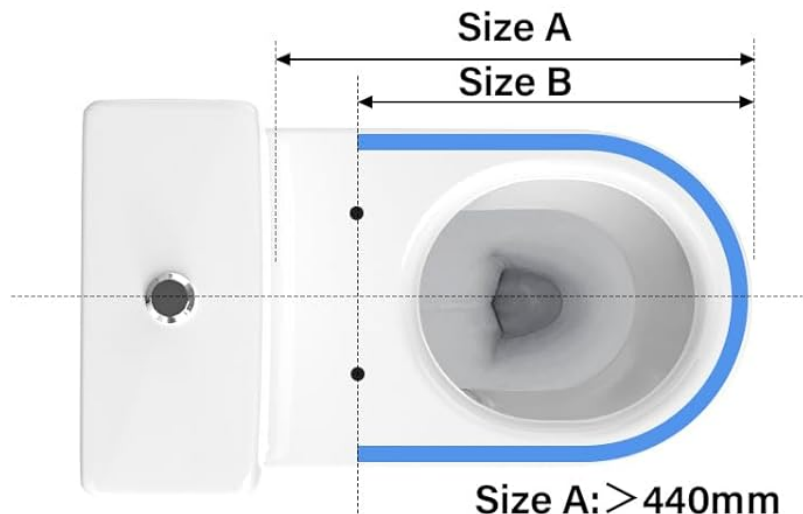
Image: The YEAUPE PRO Bidet Toilet Seat demonstrating its water spray function for cleaning.

SETUP AND INSTALLATION

Installing your YEAUPE PRO Bidet Toilet Seat is a straightforward process that does not require electricity or extensive plumbing work. Please ensure to turn off the main water supply and empty the toilet tank before beginning installation.

1. **Prepare the Toilet:** Turn off the water supply to your toilet and flush to empty the tank. Disconnect the existing toilet seat.
2. **Install the Bidet Seat:** Place the YEAUPE PRO Bidet Toilet Seat onto the toilet bowl, aligning the mounting holes. Adjust its position for a proper fit.
3. **Connect Water Supply:** Connect the T-adapter (included) to your toilet's water supply line. Then, connect the metal hose (included) from the T-adapter to the bidet seat's water inlet. Ensure all connections are tight to prevent leaks.
4. **Restore Water:** Slowly turn the water supply back on and check for any leaks.

Does This Toilet Seat Fit Your Toilet?



Size A: > 440mm

Size B: > 427mm

370mm ± 2

440mm ± 2

D Shape



Image: Step-by-step diagram illustrating the DIY installation of the bidet toilet seat, including connecting the water hose and T-adapter.

Easy Installation Because It Fits: Fastening & Fit



With quick release



For easy cleaning



Image: Detailed view of the fastening mechanism and the quick-release feature for easy installation and removal.

Note: This bidet seat is designed for toilets with an external water tank to allow for normal connection to the water pipe. Please measure your toilet beforehand to ensure compatibility.

OPERATING INSTRUCTIONS

The YEAUPE PRO Bidet Toilet Seat features a simple rotary switch for controlling its dual nozzle cleaning functions.

- **Posterior Mode (Men and Women):** Rotate the switch to the **right** for a strong water pressure, providing effective cleaning for general use.
- **Feminine Mode (Women's Intimate Area):** Rotate the switch to the **left** for a relatively soft water pressure, designed for gentle and refreshing cleaning for women. This mode uses a 4-hole soft cleaning nozzle to prevent cross-contamination.
- **Self-Cleaning Nozzle:** The nozzles are designed to self-clean, ensuring hygiene before and after each use.

3 Spraying Modes



Female Wash



Bidet Wash



Self-Cleaning



Image: Visual guide demonstrating the three distinct spraying modes: Female Wash, Bidet Wash, and the Self-Cleaning function of the nozzles.

Regular cleaning will ensure the longevity and hygiene of your bidet toilet seat. The smooth, antibacterial surface and removable design facilitate easy maintenance.

- **Daily Cleaning:** Wipe the seat and lid with a soft cloth and mild, non-abrasive cleaner.
- **Deep Cleaning:** For thorough cleaning, utilize the quick-release mechanism to detach the seat from the toilet bowl. This allows access to hard-to-reach areas. Clean the nozzles and surrounding areas with a soft brush and water.
- **Nozzle Self-Cleaning:** The bidet features an automatic self-cleaning function for its nozzles. Ensure this function is utilized regularly to maintain optimal hygiene.

Easy Installation Because It Fits: Fastening & Fit



Image: The quick-release feature of the toilet seat, demonstrating how it can be easily lifted for comprehensive cleaning underneath and around the mounting points.

If you encounter any issues with your YEAUPE PRO Bidet Toilet Seat, please refer to the following common troubleshooting steps:

- **No Water Flow or Weak Pressure:**

- Ensure the main water supply to the toilet is fully open.
- Check all water connections (T-adaptor, hose to bidet) for secure fitting and no kinks.
- Verify that the bidet's internal filter (if present) is not clogged.

- **Leaks from Connections:**

- Turn off the water supply.
- Tighten all connections using a wrench, being careful not to overtighten.
- Check if rubber washers are properly seated and not damaged.

- **Seat Does Not Soft-Close Properly:**

- Ensure the seat is correctly installed and aligned on the hinges.
- Clean the hinge mechanism to remove any debris that might obstruct its movement.

- **Nozzle Not Extending/Retracting:**

- Ensure sufficient water pressure is reaching the bidet.
- Check for any obstructions around the nozzle area.

If the issue persists after following these steps, please contact customer support.

PRODUCT SPECIFICATIONS

Below are the detailed specifications for the YEAUPE PRO Bidet Toilet Seat (Model F001-B1):

Feature	Detail
Model Number	F001-B1
Shape	D Shape (Universal O-shaped standard toilet compatible)
Color	White D
Material	Plastic
Outer Circle Size (W x L)	37 x 42.7 cm (14.6 x 16.7 inches)
Inner Circle Size (W x L)	22.4 x 28.5 cm (8.8 x 11.2 inches)
Hole Spacing	7-16.9 cm
Product Dimensions	44 x 37 x 8.3 cm (approximate, as per product title)
Item Weight	3.1 Kilograms
Load Capacity	175 kg (for seat ring)
Power Source	Non-Electric (Water Pressure Operated)
Included Components	Toilet seat with bidet function, metal hose G3/8 inch x G3/8 inch x 100 cm, T-adapter made of brass (G3/8 inch x G3/8 inch x G3/8 inch), stainless steel fixings x 2, assembly instructions.

Easy DIY installation (D Shape)

1. Install the Toilet Seats with Bidet on the toilet and adjust the position.
2. connect the T-adapter and the water hose.



Tips: Please turn off the water valve and empty the toilet tank before installation.

Image: A diagram illustrating the key measurements (Size A and Size B) required to determine if the D-shaped toilet seat fits a specific toilet, along with a weight-bearing capacity icon.

Soft-Close Mechanism for Silent Closing

Closes gently & protects children's hands



Image: A visual guide indicating that the D-shaped toilet seat is compatible, while oval and square shapes are not, along with detailed measurement diagrams.

SOFT-CLOSE MECHANISM

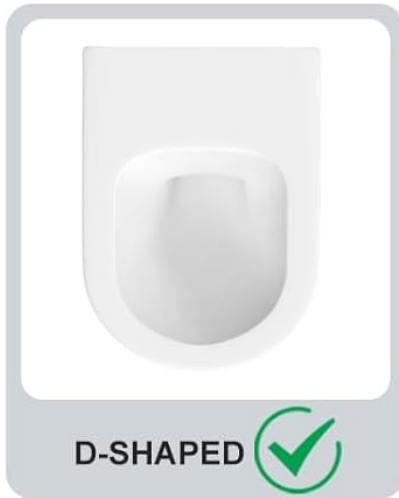
The YEAUPE PRO Bidet Toilet Seat is equipped with a soft-close mechanism, designed for silent and gentle closing of both the lid and the seat. This feature enhances user comfort and safety, preventing loud slams and protecting fingers from being pinched.

- **Silent Operation:** The integrated dampeners allow the lid and seat to close slowly and quietly.
- **Enhanced Safety:** Reduces the risk of injury, especially for children, by eliminating sudden drops.
- **Durability:** The controlled closing motion minimizes wear and tear on the seat and hinges, extending the product's lifespan.

DOES THE TOILET SEAT FIT YOUR TOILET?



Match the shape



D-SHAPED



OVAL SHAPE



SQUARE SHAPE

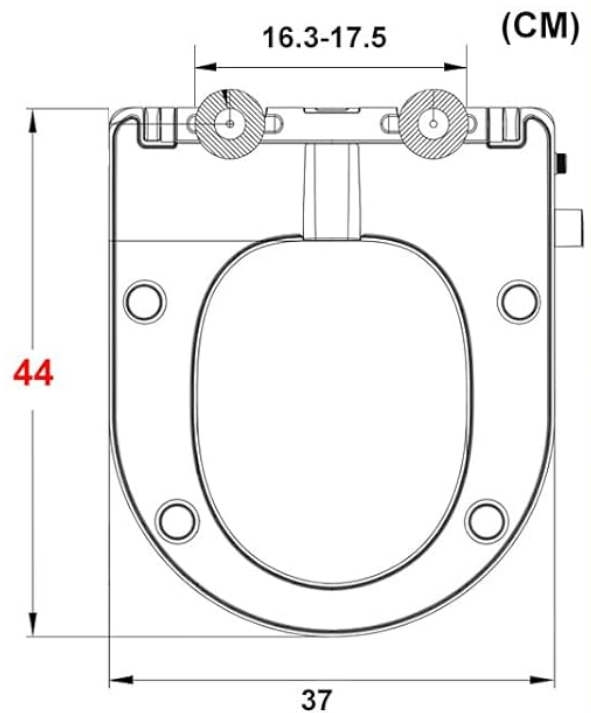


Image: The soft-close mechanism in action, illustrating how the toilet seat and lid gently lower without noise or impact.

WARRANTY AND SUPPORT

Information regarding specific warranty terms and direct customer support contact details for the YEAUPE PRO

Bidet Toilet Seat is not provided in the available product data. For any warranty claims or technical assistance, please refer to the product packaging or contact the retailer from whom the product was purchased. You may also visit the official YEAUPE PRO website for further support information.

The product's ASIN is B0CS9B8Y9J and the manufacturer is YEAUPE PRO.