

## Miracase 9002

# Miracase Bike Phone Holder Instruction Manual

Model: 9002

For Bicycles, Motorcycles, Scooters, and more

## INTRODUCTION

Thank you for choosing the Miracase Bike Phone Holder. This manual provides detailed instructions for the proper installation, operation, and maintenance of your new phone mount. Designed for secure and convenient phone access during various activities, this holder is compatible with a wide range of vehicles and smartphones.

The Miracase Bike Phone Holder features a semi-enclosed design to prevent camera and side button obstruction, allowing for video recording and full phone functionality. Its quick-lock and release mechanism ensures secure phone placement with one-handed operation. Constructed with resistant ABS and non-slip silicone, it provides stable protection for your device.

## WHAT'S IN THE BOX

- 1 x Phone Holder
- 1 x Handlebar Clamp
- 1 x User Manual

## SPECIFICATIONS

<b>Brand</b>	Miracase
<b>Model Name</b>	9002
<b>Color</b>	Red
<b>Compatible Devices</b>	All 4" - 7" phones (e.g., iPhone 17 Pro Max to iPhone 4, Galaxy S/Note/A series, Google Pixel series)
<b>Mounting Type</b>	Handlebar

<b>Compatible Handlebar Diameter</b>	0.72" - 1.69" (18 - 40mm)
<b>Compatible Vehicle Type</b>	ATV, Bicycle, Electric Scooter, Indoor Bike, Motorcycle, Shopping Cart, Stroller, Treadmill, UTV
<b>Material</b>	Plastic, Silicone
<b>Item Weight</b>	0.2 Kilograms
<b>Water Resistance Level</b>	Waterproof

## SETUP AND INSTALLATION

Follow these steps to correctly install your Miracase Bike Phone Holder:

- 1. Assemble the Phone Holder:** The phone holder and handlebar clamp come as separate pieces. Loosen the nut on the phone holder to attach it to the ball joint of the handlebar clamp. Tighten the nut to secure the two parts together.



### No Block Camera

Capture the moment while on the move

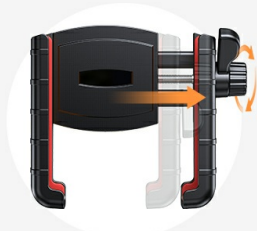


Image: Miracase Bike Phone Holder components showing the phone holder and handlebar clamp separated.

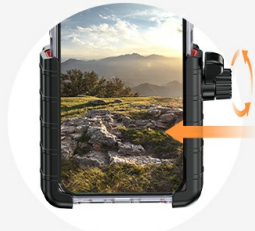
- 2. Attach to Handlebar:** Open the handlebar clamp by turning the knob. Position the clamp on your desired handlebar location. Ensure the clamp fits securely around the handlebar.

## PHONE HOLDER INSTALLATION STEPS

Hold your phone firmly



Rotate the knob to adjust the width



Place the phone inside and turn the knob to lock phone



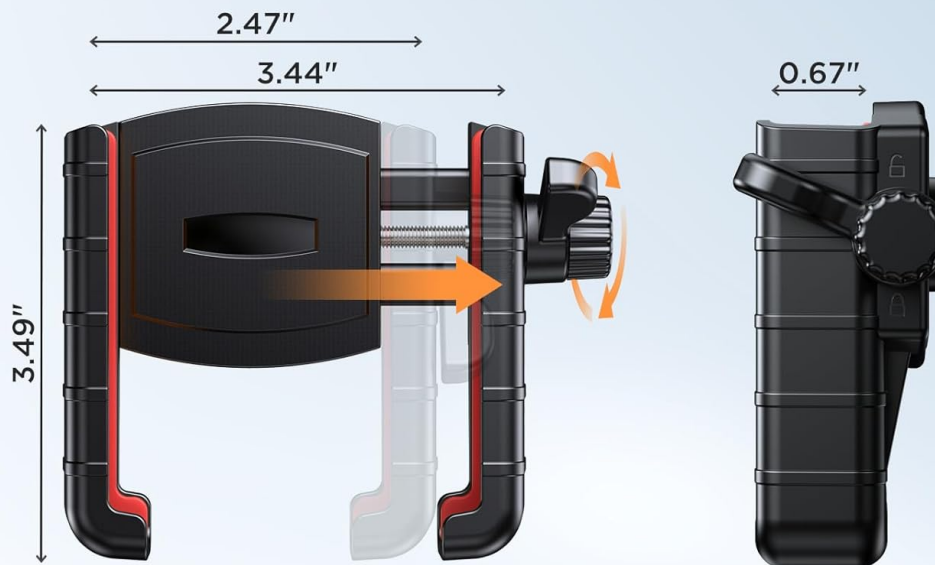
Flip down the handle to lock

Image: Visual guide for installing the phone holder onto a handlebar, showing the assembly and tightening process.

3. **Tighten the Clamp:** Turn the knob on the handlebar clamp to tighten it firmly onto the handlebar. Ensure there is no movement or looseness. The clamp is designed for handlebar diameters between 0.72" and 1.69" (18-40mm).

## WIDE COMPATIBILITY

Compatible with 4" to 7" smartphones



iPhone se



iPhone 13 mini



iPhone 15



iPhone 16 Max



Galaxy S25 Ultra



Pixel 9 Pro XL

Image: The Miracase Bike Phone Holder securely mounted on a bicycle handlebar, ready for phone placement.

### Installation Video Guide

Your browser does not support the video tag.

Video: A detailed demonstration of installing the Miracase Motorcycle Phone Mount on a bicycle handlebar, showing the assembly and tightening process.

## OPERATING INSTRUCTIONS

---

Using your Miracase Bike Phone Holder is simple and designed for quick, one-handed operation:

1. **Adjust Phone Holder Width:** Rotate the knob on the side of the phone holder to adjust its width to fit your smartphone. The holder accommodates phones from 4" to 7".

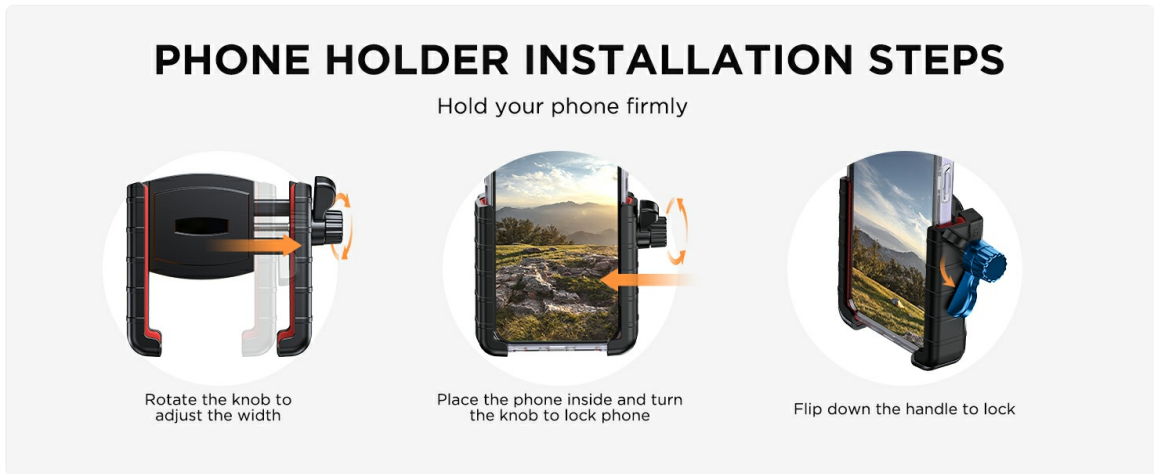


Image: Step-by-step visual showing how to rotate the knob to adjust the phone holder's width.

2. **Insert and Secure Phone:** Place your phone into the holder. The holder's resistant ABS faceplate and non-slip silicone will protect your phone from scratches and provide a secure grip.

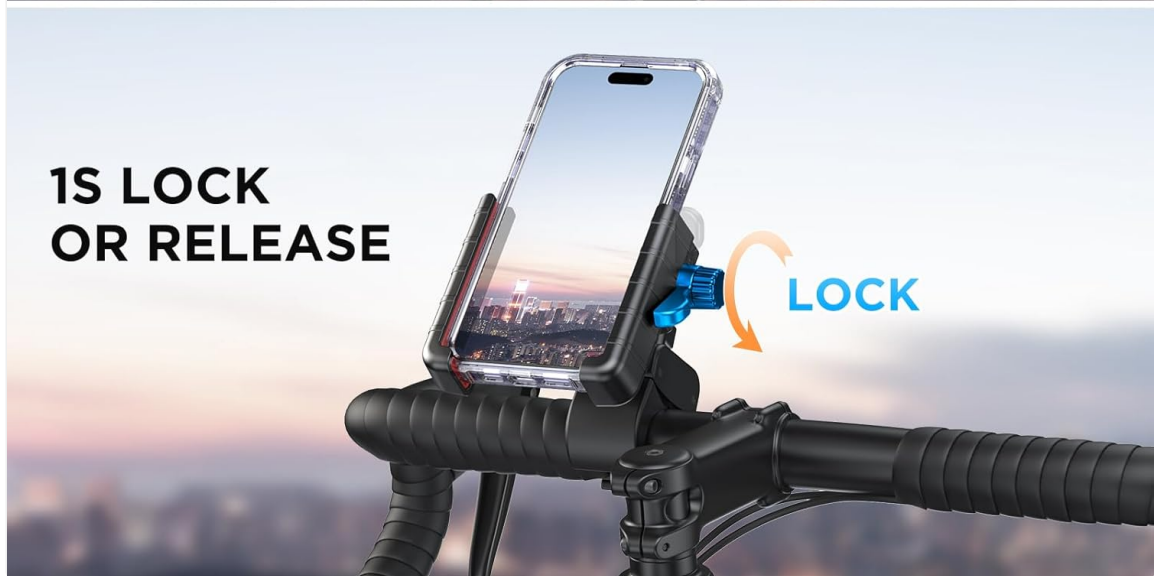
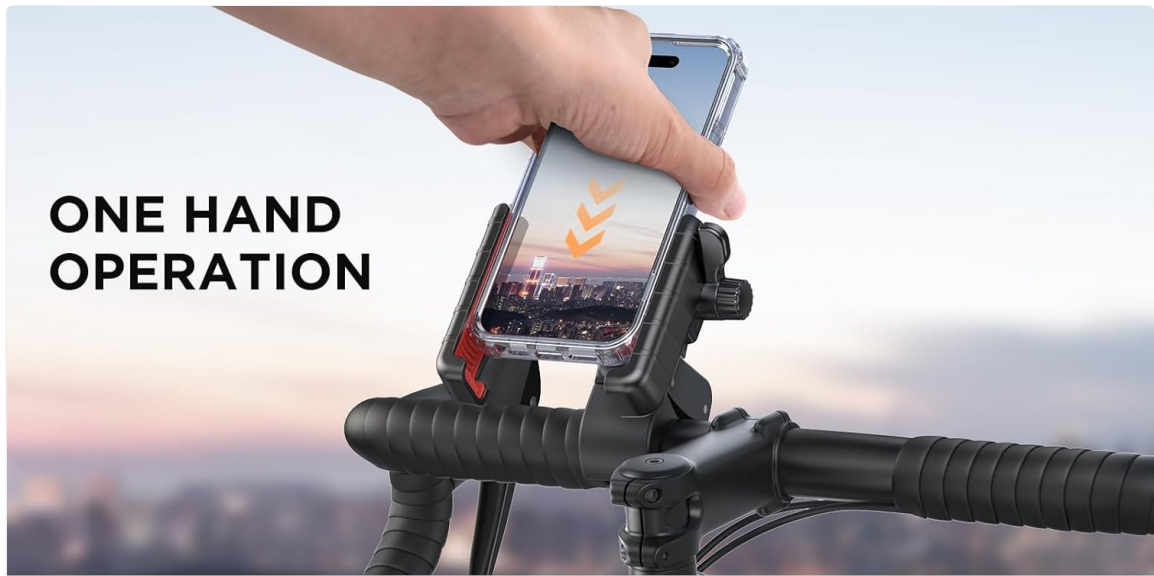


Image: A hand demonstrating the one-handed operation to insert a phone into the holder.

- 3. Quick Lock Mechanism:** Once the phone is in place, flip down the lever on the side to engage the quick lock mechanism. This securely holds your phone, preventing it from falling off during rides.

# STURDY AND SECURE

Securely hold your phone even on rough roads



Full Rubber Protection



Security Lock

Image: A close-up of the quick lock lever, showing how to engage it to secure the phone.

4. **Camera and Button Access:** The semi-enclosed design ensures that your phone's camera and side buttons are not blocked, allowing you to record videos or use Face ID/fingerprint ID without obstruction.



## No Block Camera

Capture the moment while on the move



Image: A phone mounted in the holder, demonstrating that the camera is not blocked, allowing for video recording.

### Operation Video Guide

Your browser does not support the video tag.

Video: A seller demonstrating the ease of installing a phone into the Miracase bike mount and securing it, highlighting the quick lock feature.

### MAINTENANCE

---

To ensure the longevity and optimal performance of your Miracase Bike Phone Holder, follow these simple maintenance tips:

- Regularly check all screws and knobs to ensure they are tight and secure.
- Clean the holder with a soft, damp cloth. Avoid harsh chemicals that may damage the plastic or silicone components.
- Inspect the silicone pads for any signs of wear or damage. Replace if necessary to maintain optimal grip and phone protection.
- Store the phone holder in a cool, dry place when not in use, especially if exposed to extreme weather conditions.

### TROUBLESHOOTING

---

If you encounter any issues with your Miracase Bike Phone Holder, refer to the following common solutions:

- **Phone feels loose in the holder:** Ensure the width adjustment knob is tightened sufficiently to snugly hold your phone. Also, confirm the quick lock lever is fully engaged.
- **Holder slides on the handlebar:** Re-tighten the handlebar clamp knob. If the issue persists, ensure the handlebar diameter is within the specified range (0.72" - 1.69").
- **Difficulty inserting/removing phone:** Check that the width adjustment knob is loosened enough before inserting or removing your phone.

## WARRANTY AND SUPPORT

---

The Miracase Bike Phone Holder comes with a **12 Months Replacement Warranty**. For any warranty claims, product support, or further assistance, please contact Miracase customer service through the retailer where you purchased the product or visit the official Miracase website.