

[Manuals.plus](#) /

› [eLinkSmart](#) /

› eLinkSmart Fingerprint Handle Door Lock User Manual

eLinkSmart YL-H8-Gold

eLinkSmart Fingerprint Handle Door Lock User Manual

Model: **YL-H8-Gold** | Brand: **eLinkSmart**

INTRODUCTION

This manual provides detailed instructions for the installation, operation, and maintenance of your eLinkSmart Fingerprint Handle Door Lock. Please read this manual thoroughly before installation and use to ensure proper function and safety. This smart lock offers multiple unlocking methods including fingerprint, mobile application, passcode, and traditional key, providing enhanced security and convenience for your home or office.



Image: The eLinkSmart FingerPrint Handle Door Lock in gold, shown with its accompanying mobile app interface, an Apple Watch displaying the unlock function, and two physical keys.

PRODUCT OVERVIEW

Key Features

- **eSmartLock App Integration:** Supports both phone and iOS Watch for Bluetooth connectivity, voice volume control, vacation mode, and unlock record viewing. Allows for one admin and over 1000 general users with customizable unlock periods and schedules.
- **Fingerprint Recognition:** Unlocks in approximately 0.1 seconds by scanning your fingerprint as you grip the

handle. Stores up to 100 unique fingerprints with an enlarged sensor for improved recognition.

- **Easy Installation:** Designed to replace most standard U.S. ball door knob locks without requiring re-punching. Installs in minutes.
- **Adjustable Compatibility:** Suitable for door thicknesses between 1.2 to 2.56 inches (30-70mm) and features an adjustable backset of 2.36 or 2.76 inches (60/70mm). Compatible with both left and right-handed doors.
- **Low Power Consumption:** Operates on 4 AAA batteries (not included) for up to 12 months, depending on usage frequency. Includes a low battery reminder and a USB charge port for emergency power.
- **Multiple Unlocking Methods:** Offers fingerprint, app, passcode, and traditional mechanical key unlocking options.
- **Durable Construction:** Made from weather-proofed stainless steel, designed to withstand various weather conditions.

Newest Upgraded

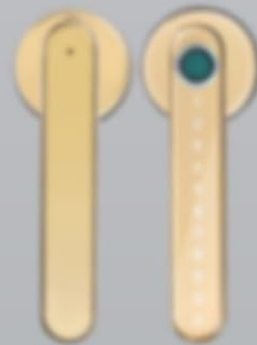


✔ Phone & Watch 1 click Open

✔ Clear voice & volume control

✔ App user group management

✔ Larger fingerprint sensor



No 1 click Open No Watch Open

Voice unclear No mute mode

No group management

Small fingerprint sensor

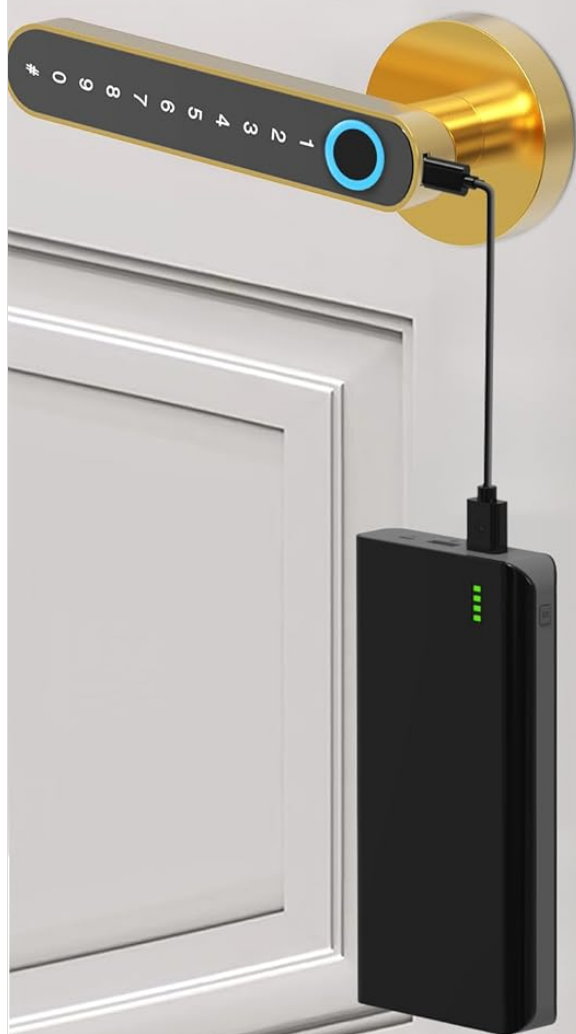
Image: A visual comparison highlighting the upgraded features of the eLinkSmart lock, including phone & watch opening, clear voice & volume control, app user group management, and a larger fingerprint sensor.

Package Contents

The eLinkSmart Fingerprint Handle Door Lock package typically includes the following components:

- Fingerprint Door Knob (Interior and Exterior Handles)
- Installation accessories (screws, spindle, latch, strike plate)
- User Manual

4 in 1 Smart Door Lock



✓ 100 Fingerprints

✓ 1000 App users

✓ 100 Passwords

✓ 2 Keys

★ Emergency USB start if battery dies

Image: An illustration of the lock's capabilities, including support for 100 fingerprints, 1000 app users, 100 passwords, and 2 physical keys, along with an emergency USB power start option.

SETUP AND INSTALLATION

The eLinkSmart Fingerprint Handle Door Lock is designed for easy DIY installation, typically replacing existing door knobs without the need for professional assistance or extensive drilling.

Pre-Installation Checklist

- Ensure your door thickness is between 1.2 to 2.56 inches (30-70mm).
- Verify your door's backset is either 2.36 inches (60mm) or 2.76 inches (70mm).
- Gather necessary tools: Phillips head screwdriver.
- Prepare 4 AAA batteries (not included).

Installation Steps

1. **Remove Existing Hardware:** Unscrew and remove your current door knob and latch mechanism.
2. **Install Latch:** Insert the new latch into the door edge. Ensure the latch bolt faces the correct direction for your door swing. Adjust the backset if necessary (60mm or 70mm).
3. **Install Exterior Handle:** Place the exterior handle (with the fingerprint sensor and keypad) through the door, aligning the spindle with the latch mechanism.
4. **Install Interior Handle:** Connect the interior handle to the exterior handle using the provided screws. Ensure the handles are flush against the door surface and operate smoothly.
5. **Insert Batteries:** Open the battery cover on the interior handle and insert 4 AAA batteries, observing polarity.
6. **Test Operation:** After installation, test the mechanical key and ensure the handle turns freely when unlocked and is firm when locked.

Easy installation

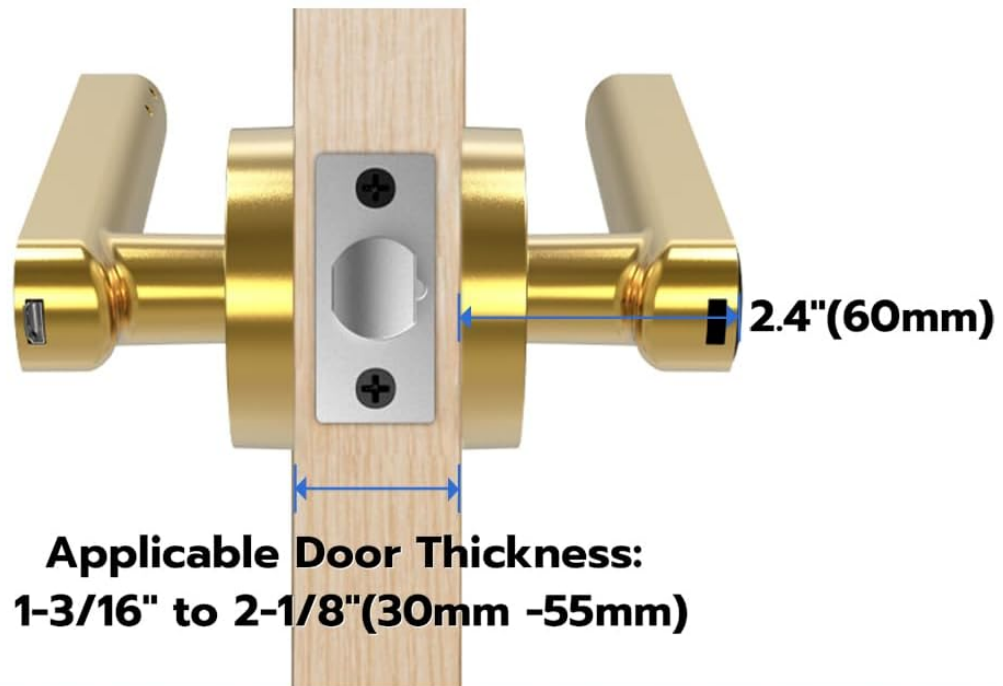
No drilling, No locksmith



Image: A person demonstrating the ease of installation of the eLinkSmart smart door lock, highlighting that no drilling or locksmith is required.

Easy DIY Installation

Replace the original lock without any drilling



**Applicable Door Thickness:
1-3/16" to 2-1/8" (30mm - 55mm)**



Image: A detailed diagram illustrating the DIY installation process, including measurements for applicable door thickness (1-3/16" to 2-1/8" or 30mm-55mm) and adjustable latch backset (2-3/8" or 60mm, and 2-3/4" or 70mm).

OPERATING INSTRUCTIONS

Unlocking Methods

Your eLinkSmart door lock offers four convenient ways to unlock:

- **Fingerprint:** Place your registered finger on the sensor. The lock will unlock in approximately 0.1 seconds.
- **Passcode:** Enter your registered passcode on the keypad.
- **eSmartLock App:** Use the eSmartLock application on your smartphone or iOS Watch to remotely unlock the door via Bluetooth.
- **Mechanical Key:** In case of emergency or battery depletion, use one of the provided mechanical keys to unlock the door.

4 WAYS TO UNLOCK



No longer worry about



Image: A visual representation of the four unlocking methods: fingerprint, app, passcode, and traditional key, emphasizing convenience and security.

eSmartLock App Usage

The eSmartLock app provides comprehensive control and management features for your smart lock:

- **User Management:** Add and manage up to 1 admin and over 1000 general users. Authorize family, friends, or colleagues with specific unlock periods and schedules.
- **Voice Volume Control:** Adjust the voice prompts and sounds of the door lock directly from the app.
- **Vacation Mode:** Activate vacation mode for enhanced security when you are away.

- **Unlock Records:** View a history of all unlock events, including method and time.
- **Remote Unlock:** Unlock the door via Bluetooth from your smartphone or iOS Watch when within range.

eSmartlock App, Not Tuya Phone & iOS watch



Sub-user authorization

Volume setting & Mute

View unlock records

Image: Screenshots of the eSmartLock app on a smartphone and an iOS watch, demonstrating features like sub-user authorization, volume settings, mute function, and viewing unlock records.

Security Features

- **Anti-Peep Passcode:** Enter random digits before or after your actual passcode to prevent others from guessing your code.
- **Auto-Locking:** The lock can be configured to automatically lock after a set period of time, ensuring your door is always secured.

- **Vacation Mode:** A special mode that disables all electronic entry methods, requiring only a mechanical key for access, ideal for extended absences.

3 in 1 Home Security

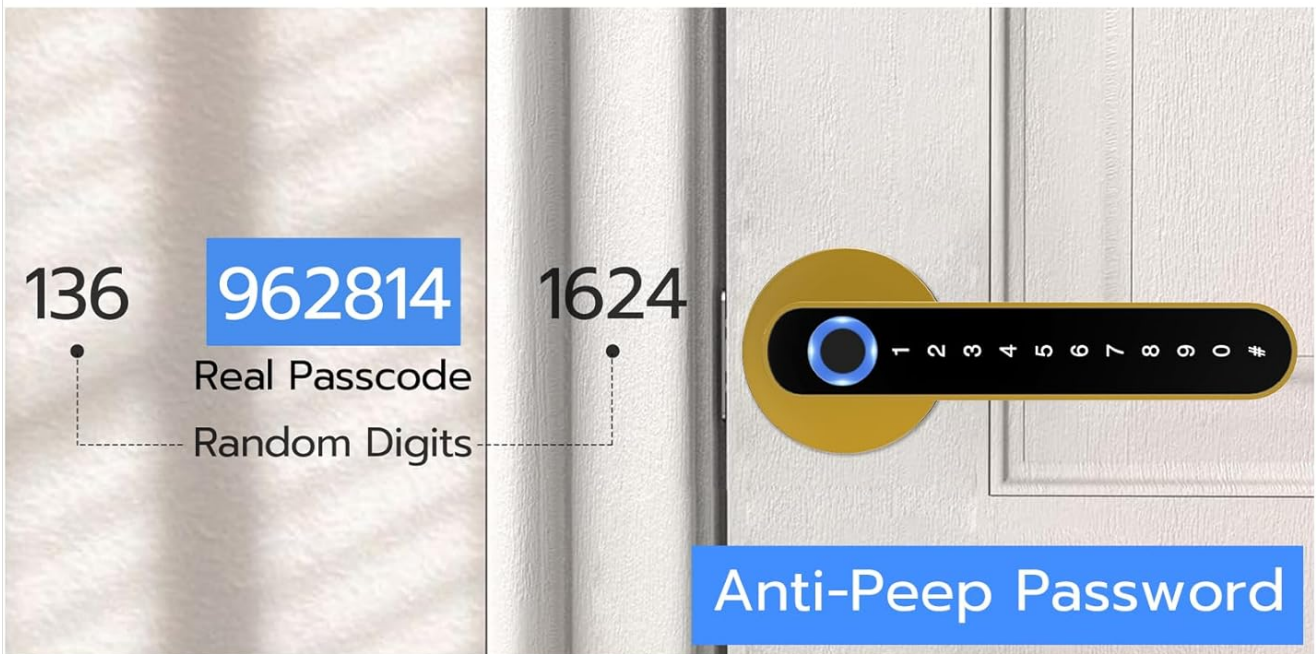


Image: An illustration of the lock's security features, including anti-peep passcode entry, automatic locking, and vacation mode for enhanced security.

MAINTENANCE

Battery Replacement

The lock requires 4 AAA batteries. When the battery level is low, the lock will provide an audible or visual low battery reminder. Replace all four batteries promptly to ensure continuous operation.

- Open the battery compartment cover on the interior handle.
- Remove the old batteries and insert new AAA batteries, ensuring correct polarity.
- Close the battery compartment cover securely.

Emergency Power and Unlock

If the batteries completely deplete, you can use the following methods:

- **USB Emergency Charge:** Connect a power bank to the USB charge port located on the exterior handle to temporarily power the lock and gain entry.
- **Mechanical Key:** Use one of the provided mechanical keys to manually unlock the door.

Low Power Consumption

Powered by 4*AAA Batteries (Not Included)



Emergency Unlock

(When run out of battery)



Emergency Power via Power Bank

Key to Unlock

Image: A diagram showing the battery compartment for 4 AAA batteries and illustrations of emergency power via a power bank connected to the USB port, and unlocking with a physical key.

Cleaning

Clean the lock's surface with a soft, damp cloth. Avoid using abrasive cleaners or solvents that could damage the finish or electronic components.

TROUBLESHOOTING

Problem	Possible Cause	Solution
Lock does not respond (no sound/light).	Batteries are dead or incorrectly installed.	Replace batteries or ensure correct polarity. Use emergency USB power or mechanical key.
Fingerprint not recognized.	Finger is dirty/wet, sensor is dirty, or fingerprint not properly registered.	Clean finger and sensor. Re-register fingerprint if issue persists. Try another registered finger.
App cannot connect to the lock.	Bluetooth is off, lock is out of range, or app needs reset.	Ensure Bluetooth is enabled on your device. Move closer to the lock. Restart the app or re-pair the lock.
Passcode not working.	Incorrect passcode entered, or passcode not properly set.	Verify the passcode. Ensure the passcode is active and correctly entered.
Lock is loose after installation.	Screws are not tightened sufficiently.	Re-tighten all mounting screws.

SPECIFICATIONS

Feature	Detail
Model Number	YL-H8-Gold
Brand	eLinkSmart
Material	Zinc
Color	Gold
Exterior Finish	Stainless Steel and Brass
Lock Type	Biometric
Hand Orientation	Ambidextrous
Power Source	4 x AAA Batteries (not included)
Battery Life	Up to 12 months (depending on usage)
Emergency Power	USB Charge Port

Feature	Detail
Door Thickness Compatibility	1.2 ~ 2.56 inches (30 ~ 70mm)
Adjustable Backset	2.36 / 2.76 inches (60 / 70mm)
Fingerprint Capacity	Up to 100
App User Capacity	1 Admin, 1000+ General Users
Product Dimensions	1.08 x 1.08 x 6.3 inches
Item Weight	2.57 pounds

WARRANTY AND SUPPORT

eLinkSmart products are designed for reliability and performance. For specific warranty details, please refer to the warranty card included with your product or visit the official eLinkSmart website. If you encounter any issues or require technical assistance, please contact eLinkSmart customer support through the following channels:

- **Official Website:** [eLinkSmart Brand Store on Amazon](#) (for general inquiries and product information)
- **Customer Service:** Refer to the contact information provided in your product packaging or the eSmartLock app for direct support.

Please retain your purchase receipt for warranty claims.