

Manuals+

[Q & A](#) | [Deep Search](#) | [Upload](#)

Manuals.plus /

› [GM Ultra](#) /

› GM Ultra Full Size Loft Bed with Desk & Storage Stairs Instruction Manual

GM Ultra GM Ultra 103

GM Ultra Full Size Loft Bed with Desk & Storage Stairs Instruction Manual

Model: GM Ultra 103

PRODUCT OVERVIEW

The GM Ultra Full Size Loft Bed with Desk & Storage Stairs is designed to maximize space by integrating sleeping, studying, and storage functions. This versatile metal bedframe features an L-shaped desk, a built-in wardrobe with a hanging rod and adjustable shelves, and storage stairs that can be positioned on either the left or right side. Modern conveniences include a built-in USB charging station and an integrated LED light strip.



Image 1: Overview of the GM Ultra Full Size Loft Bed, showcasing the elevated bed, integrated desk, and storage stairs.

SAFETY INFORMATION

Please read and follow all safety instructions carefully to prevent injury and ensure proper use of the loft bed.

- Use a mattress of appropriate thickness and material.
- Do not overload the bed beyond its 350-pound weight limit.
- Exercise caution during assembly to prevent injuries from pinch points or sharp edges.
- Ensure all connections are securely fastened after assembly.
- The bed features full-length guardrails and 13-inch high guardrails on all sides for user safety.

PACKAGE CONTENTS

The GM Ultra Loft Bed arrives in two boxes. Please verify all components are present before beginning assembly. An assembly toolkit is included.

Key Components:

- Metal Bed Frame sections
- L-shaped Desk components
- Storage Stairs sections
- Wardrobe with hanging rod and adjustable shelves
- Bed slats for mattress support
- USB charging station
- LED light strip
- Assembly hardware (screws, bolts, etc.)
- Assembly toolkit
- Instruction manual

ASSEMBLY INSTRUCTIONS

Assembly typically takes under 2 hours with the included toolkit. It is recommended to have two people for assembly. Follow the numbered parts and instructions provided in the physical manual for detailed steps.

Visual Assembly Guide:

Your browser does not support the video tag.

Video 1: A 3D animated demonstration of the loft bed assembly process, showing how various components fit together.

The assembly video provides a visual walkthrough of the construction. Pay close attention to the orientation of parts and ensure all screws are tightened securely. The storage stairs can be installed on either the left or right side of the bed frame to best suit your room layout.



Image 2: Detail of the industrial-strength metal frame and slat support system, which eliminates the need for a box spring.



Image 3: View of the assembled storage stairs and the integrated wardrobe, highlighting the functional design.

OPERATING INSTRUCTIONS

USB Charging Station:

The integrated USB charging station is located on the desk surface. Simply plug your electronic devices into the USB ports to charge them. Ensure the bed's power cord is connected to a functional wall outlet.



Image 4: Detail of the USB charging station and standard power outlets integrated into the desk for convenient device charging.

LED Light Strip:

The LED light strip is integrated into the bed frame to provide ambient lighting. Connect the LED light strip to a power source as indicated in the detailed manual. Operation typically involves a switch or remote control (if included) to turn the lights on/off and adjust settings.

MAINTENANCE

To maintain the longevity and appearance of your GM Ultra Loft Bed, follow these guidelines:

- **Product Care Instructions:** Dry clean only for fabric components. For metal and wood surfaces, wipe with a damp cloth and mild cleaner. Avoid harsh chemicals.
- Regularly check all bolts and screws to ensure they remain tight. Re-tighten as necessary to maintain stability.
- Keep the bed and surrounding area clean and free of clutter.

TROUBLESHOOTING

If you encounter any issues with your loft bed, refer to the following common problems and solutions:

- **Wobbling or Instability:**

Ensure all bolts and screws are fully tightened. Check that the bed is placed on a level surface. If the issue persists, disassemble and reassemble, carefully following the instructions to ensure correct alignment of all parts.

- **Squeaking Noises:**

Squeaking can often be resolved by re-tightening all connections. Applying a small amount of lubricant (e.g., silicone spray) to metal-on-metal contact points can also help.

- **Damaged or Missing Parts:**

If you received damaged or missing parts, please contact GM Ultra customer support immediately for assistance and replacement parts.

- **USB Port / LED Light Not Working:**

Verify that the bed's power cord is securely plugged into a working wall outlet. Check all connections for the USB station and LED strip. If the problem continues, contact customer support.

SPECIFICATIONS

Feature	Detail
Model Number	GM Ultra 103
Brand	GM Ultra
Size	Full
Product Dimensions	93.7"L x 56.7"W x 68.7"H
Item Weight	188.3 pounds
Material	Metal
Color	White
Finish Type	Varnished
Special Feature	No Box Spring Needed
Included Components	Desk, Storage Stairs, Wardrobe, USB, LED Light
Compatible Mattress Size	Full
Assembly Required	Yes
Ground to Item Distance	70 Inches
Target Audience	Adults, Kids, Teens

UNIT:INCH

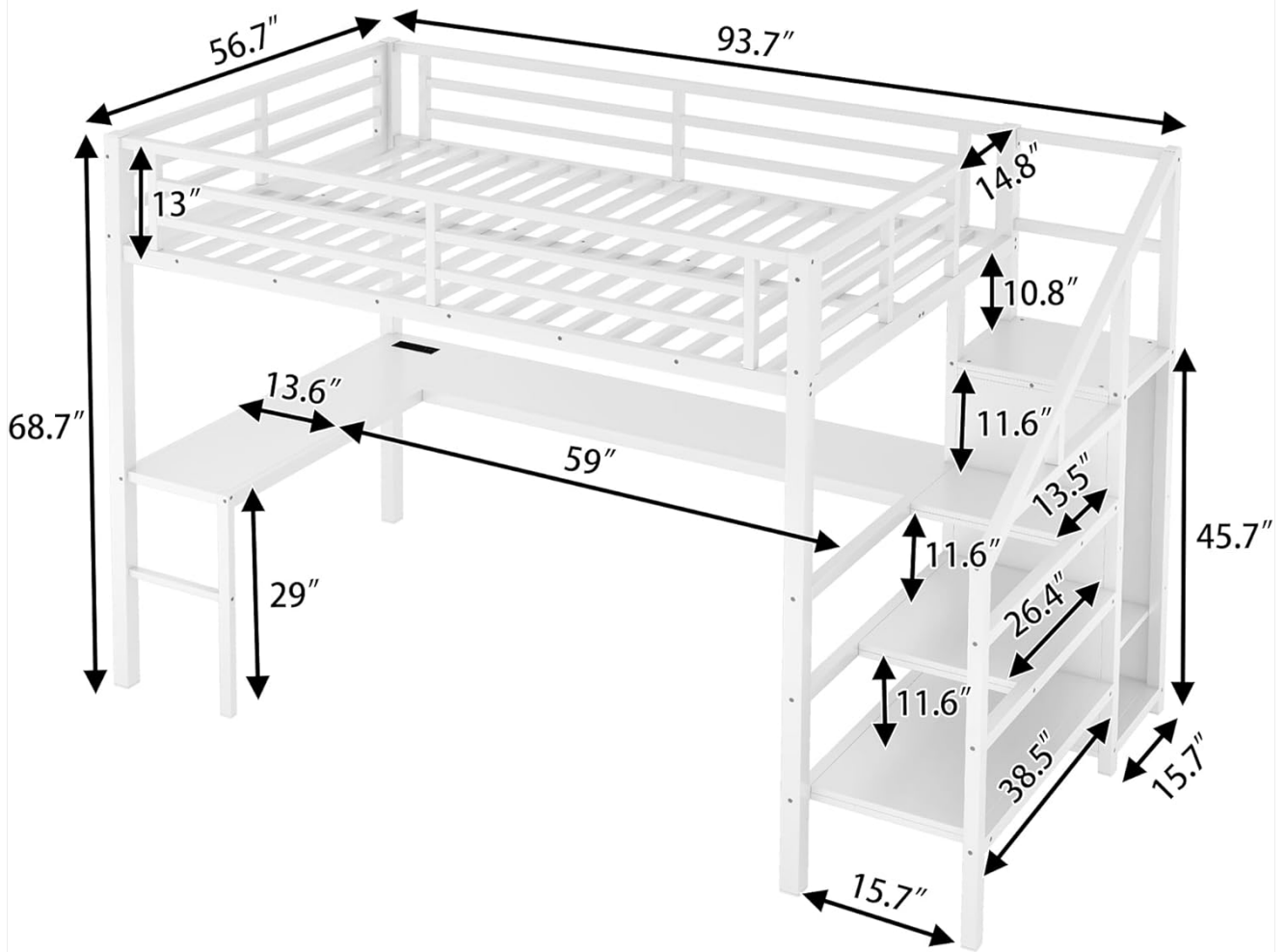


Image 5: Dimensional drawing of the loft bed, showing length, width, height, and individual component measurements.

WARRANTY AND SUPPORT

For warranty information, replacement parts, or technical support, please contact GM Ultra customer service. Refer to your purchase documentation for specific warranty terms and contact details.

Protection plans are available for extended coverage. Please check with your retailer for details on available 2-Year and 3-Year Protection Plans.

ADDITIONAL PRODUCT VIEWS

Your browser does not support the video tag.

Video 2: A brief overview video showcasing the loft bed with its integrated desk and storage features in a room setting.

Your browser does not support the video tag.

Video 3: A 3D showcase video providing different angles and perspectives of the loft bed's design and functionality.



Image 6: A closer look at the L-shaped desk area beneath the loft bed, set up for study or work.



Image 7: The wide, stable storage stairs, featuring integrated compartments for additional storage.



Image 8: An interior view of the wardrobe section, showing the hanging rod and adjustable shelves for clothing and accessories.