



Manuals.plus /

› HOMEDEC /

› HOMEDEC HDC-XCS-01 Luxury Waterfall Bathtub Spout Instruction Manual

## HOMEDEC HDC-XCS-01

# HOMEDEC HDC-XCS-01 Luxury Waterfall Bathtub Spout Instruction Manual

Model: HDC-XCS-01

Your guide to installation, operation, and maintenance.

## INTRODUCTION

---

Thank you for choosing the HOMEDEC HDC-XCS-01 Luxury Waterfall Bathtub Spout. This versatile fixture is designed to enhance your bathroom experience, functioning as both a high-flow bathtub filler and an adjustable wall-mounted shower head. Crafted from durable stainless steel with a sleek chrome finish, it offers both functionality and modern aesthetics. This manual provides essential information for safe installation, proper operation, and effective maintenance of your new product.

# Four Available Colors

Black

Brushed Gold

Chrome

Brushed Nickel



The HOMEDEC HDC-XCS-01 is available in multiple finishes, including Chrome, Black, Brushed Gold, and Brushed Nickel, to complement various bathroom decors.

## SAFETY INFORMATION

---

- Always turn off the main water supply before beginning any installation or maintenance.
- Wear appropriate personal protective equipment, such as safety glasses and gloves, during installation.
- Ensure all connections are secure to prevent leaks. Overtightening can damage threads.
- If you are unsure about any part of the installation process, consult a qualified plumber.
- This product is designed for threaded mounting only. Do not attempt to install with slip-on connections.

## SETUP AND INSTALLATION

---

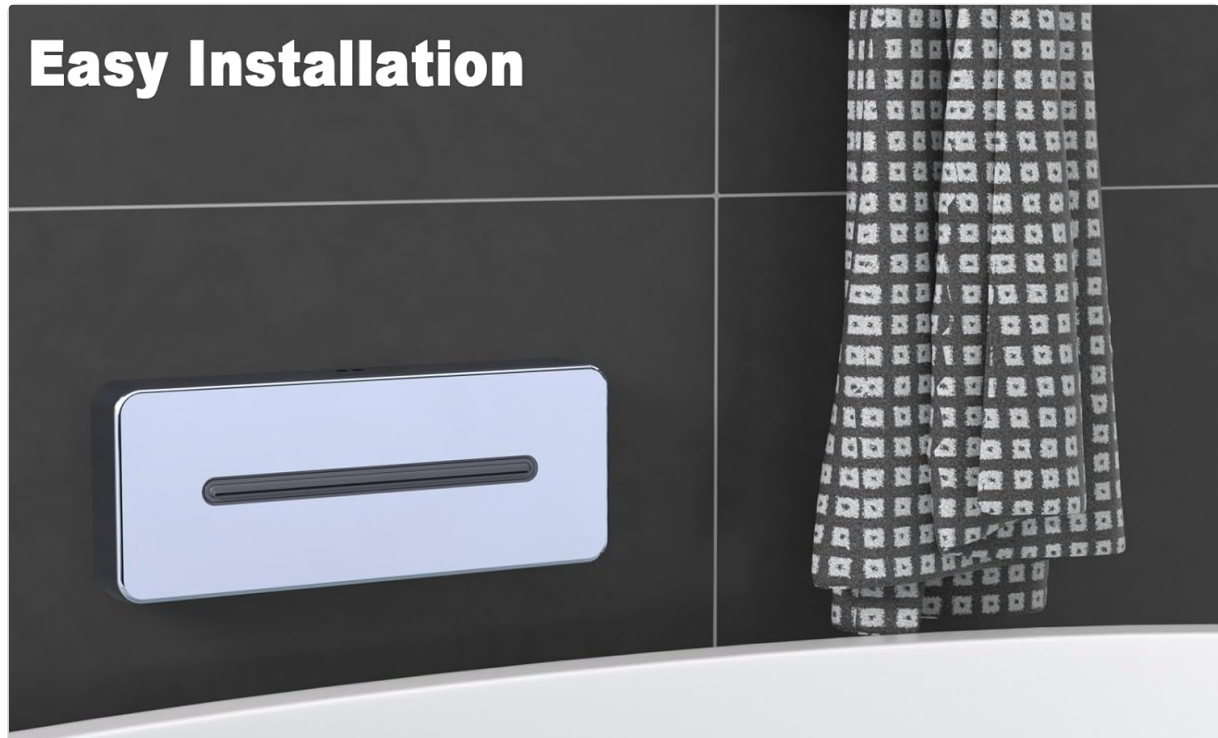
The HOMEDEC HDC-XCS-01 spout is designed for straightforward wall-mounted installation using a standard US NPT 1/2" threaded connection. Please follow these steps carefully:

1. **Prepare the Wall Connection:** Ensure your wall plumbing has a female NPT 1/2" threaded connection. It is crucial to measure the required thread length before purchasing and installation to ensure a proper fit. The product requires a threaded mounting, not a slip-on connection.

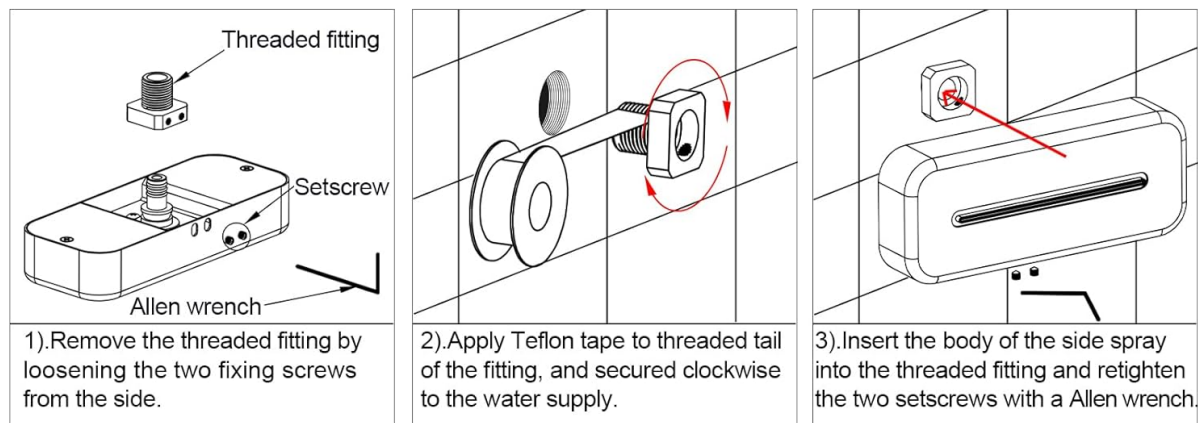
2. **Disassemble the Spout:** Loosen the two fixing screws on the side of the spout body using an Allen wrench to remove the threaded fitting.
3. **Apply Sealant:** Apply Teflon tape clockwise to the threaded tail of the fitting to ensure a watertight seal.
4. **Install the Fitting:** Securely screw the threaded fitting into the wall's NPT 1/2" connection.
5. **Mount the Spout Body:** Insert the main body of the spout onto the installed threaded fitting.
6. **Secure the Spout:** Retighten the two setscrews on the side of the spout body with the Allen wrench to firmly secure it to the wall.



This diagram illustrates the required US Standard Pipe Connection (NPT 1/2") and emphasizes that only threaded mounting is suitable, not slip-on.



## Easy Installation



Visual guide for the installation process, from removing the threaded fitting to securing the main spout body.

Your browser does not support the video tag.

Watch this video for a detailed visual guide on the installation process and features of the HOMEDEC Waterfall Bath Spout.

## OPERATING INSTRUCTIONS

The HOMEDEC waterfall spout offers flexible functionality for various bathroom needs:

- **Adjustable Spout Direction:** The unique design allows you to adjust the direction of the water flow up or down, providing better control and adaptability for your specific use case.
- **Bathtub Filler:** With its 5.12-inch wide waterfall design, the spout delivers a high flow of water, quickly filling your bathtub for a relaxing experience.
- **Wall Mount Shower Head:** When installed at a higher position, the spout can function as a waterfall shower head, providing a broad and gentle water flow.
- **Massage Application:** In environments with sufficient water supply pressure, multiple spouts can be installed on a ceiling to create a waterfall massage effect, offering a unique and invigorating shower experience.



### High Water Flow, Quickly Fill Bathtub

This feature delivers a soothing, continuous flow of water that transforms your bathing experience into a tranquil, spa-like retreat.

Experience high water flow for quickly filling your bathtub, transforming your bathing into a tranquil, spa-like retreat.



### WATERFALL WALL TAP

"The water cascades vertically from the wide spout, creating a natural waterfall-like visual effect that enhances the visual impact, making it a standout decorative element in any space."

The waterfall wall tap creates a natural waterfall visual effect, enhancing the aesthetic appeal of any space.



## WATERFALL SHOWER HEAD

"The dense and continuous water flow simulates the immersive sensation of a waterfall, offering a natural-like experience. Its design seamlessly complements modern décor styles, making it a striking visual centerpiece in the bathroom."

The dense and continuous water flow simulates a natural waterfall, offering an immersive shower experience.



## Massage Use

"In case the water supply pressure is large enough, you can install multiple waterfall faucets on the ceiling of the massage room to form a waterfall massage water flow, a different shower experience, breaking the traditional concept."

"Water outlet angle can be adjusted up and down"

For a unique massage experience, multiple waterfall faucets can be installed on the ceiling, provided water supply pressure is sufficient.

## MAINTENANCE

---

To ensure the longevity and pristine appearance of your HOMEDEC waterfall spout, follow these maintenance guidelines:

- **Cleaning:** Clean the spout regularly with a soft cloth and mild soap or a non-abrasive cleaner specifically designed for bathroom fixtures. Avoid using harsh chemicals, abrasive cleaners, or scouring pads, as these can damage the finish.
- **Drying:** After each use, wipe the spout dry to prevent water spots and mineral buildup, especially in hard water areas.
- **Inspection:** Periodically check all connections for any signs of leaks. Tighten gently if necessary.

## TROUBLESHOOTING

---

If you encounter any issues with your HOMEDEC waterfall spout, refer to the following common troubleshooting steps:

Problem	Possible Cause	Solution
Water leakage at connection point	Loose connection, insufficient Teflon tape, damaged threads.	Ensure the threaded fitting is securely tightened. Reapply Teflon tape if necessary. If threads are damaged, professional repair or replacement may be required.
Low water flow	Low household water pressure, obstruction in the spout.	Check your home's main water pressure. Inspect the spout's outlet for any debris or mineral buildup and clean if necessary.
Spout direction difficult to adjust	Mineral buildup or internal friction.	Clean the adjustable mechanism with a soft cloth and mild cleaner. Avoid forcing the adjustment.

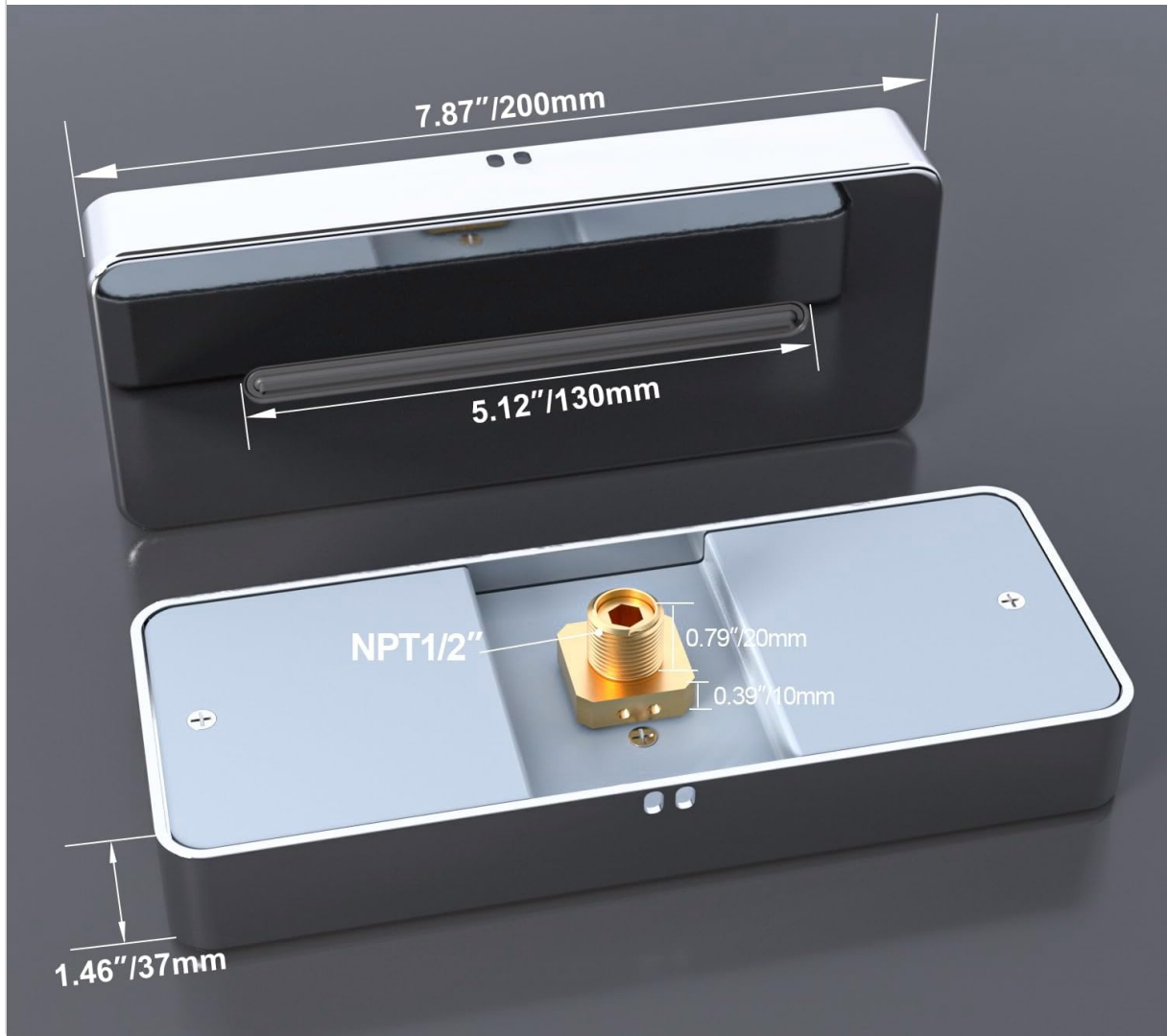
If the problem persists after attempting these solutions, please contact HOMEDEC customer support or a certified plumber.

## SPECIFICATIONS

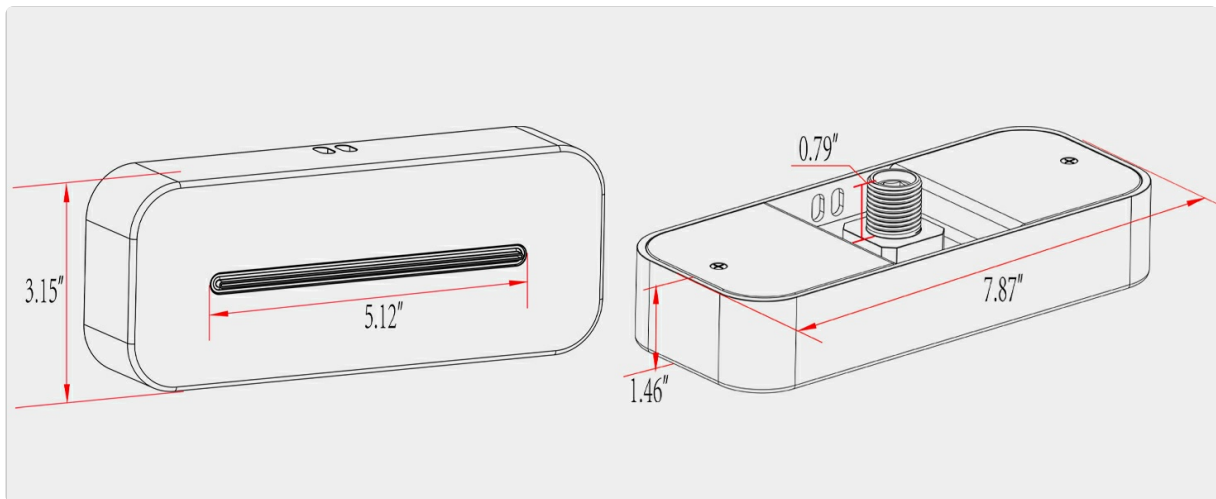
Feature	Detail
Brand	HOMEDDEC
Model Name	HDC-XCS-01
Material	Stainless Steel, Brass (handle)
Color	Chrome (as per current variant)
Product Dimensions	7.87 x 3.15 x 1.46 inches
Item Weight	1.7 pounds
Spout Height	5.12 Inches
Mounting Type	Protruding, Wall Mount
Installation Type	Single Hole
Hole Count	1
Connection Type	US NPT 1/2" Threaded
Special Feature	Adjustable Spout Direction
Minimum Water Pressure	0.5 MPa (recommended for optimal performance)

# Product Dimension

Notice: Measure the required thread length before purchasing.



Detailed product dimensions, including length, width, and height, and the NPT 1/2" connection point.



An additional technical drawing providing precise measurements for installation planning.

## WARRANTY AND SUPPORT

HOMEDec is committed to providing high-quality products and excellent customer service. While specific warranty details are not provided in this manual, we encourage you to retain your proof of purchase.

For any questions, concerns, or support needs regarding your HOMEDec HDC-XCS-01 Luxury Waterfall Bathtub

Spout, please contact HOMEDEC customer support through the retailer where you purchased the product or visit the official HOMEDEC website for contact information. Your feedback is valuable to us and helps us improve our products.