

Manuals+

[Q & A](#) | [Deep Search](#) | [Upload](#)

manuals.plus /

> [GLOWYE](#) /

> [Flame Broiler Kit for Pit Boss 1600 Series, Slide Cover and Bottom Replacement for Pit Boss Grills PB1600PS1 PB1600PS2](#)
[Flame Broiler Pellet Grill Parts For Pitboss 1600+Cover](#)

GLOWYE For Pitboss 1600

GLOWYE Flame Broiler Kit Instruction Manual

Model: For Pitboss 1600 Series | Brand: GLOWYE

1. INTRODUCTION

This manual provides comprehensive instructions for the installation, operation, and maintenance of your GLOWYE Flame Broiler Kit. This kit is designed as a replacement for Pit Boss 1600 Series Pellet Grills, including models PB1600PS1 and PB1600PS2. It includes an upgraded slide cover and bottom component to enhance flame control and heat distribution for optimal searing.

2. SAFETY INFORMATION

WARNING: Always prioritize safety when handling grill components.

- Always allow the grill and the flame broiler kit to cool down completely before handling or attempting installation/removal.
- Keep the kit away from heat sources and open flames when not in use.
- Do not use the kit if it is damaged or shows signs of wear.
- Always follow the manufacturer's instructions for proper use and maintenance of your Pit Boss grill.
- Wear appropriate protective gloves when handling metal components to prevent cuts or burns.

3. PARTS LIST

The GLOWYE Flame Broiler Kit includes the following components:

- Flame Broiler Bottom (Main Plate)
- Flame Broiler Slide Cover

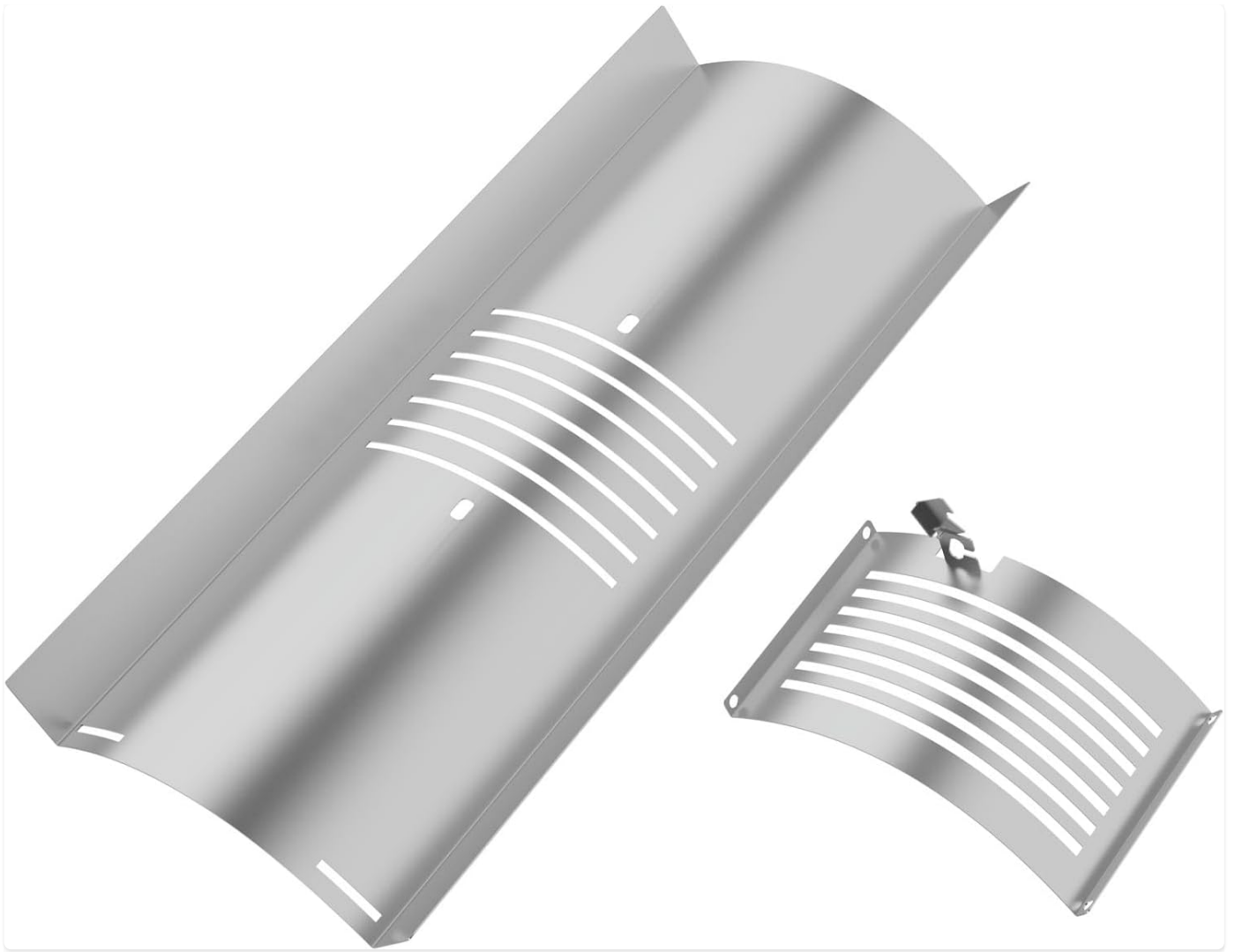


Image 3.1: The main flame broiler bottom plate and the separate slide cover.



Image 3.2: Detailed view of the flame broiler kit, showing the slotted design for heat distribution and attachment points.

4. SETUP AND INSTALLATION

The GLOWYE Flame Broiler Kit is designed for easy installation without special tools. Please ensure your grill is completely cool before proceeding.

4.1 Verify Compatibility and Dimensions

This kit is specifically designed for Pit Boss 1600 Series Pellet Grills (PB1600PS1, PB1600PS2). Please verify the dimensions of your existing parts against the kit's dimensions to ensure a proper fit.

DIMENSION

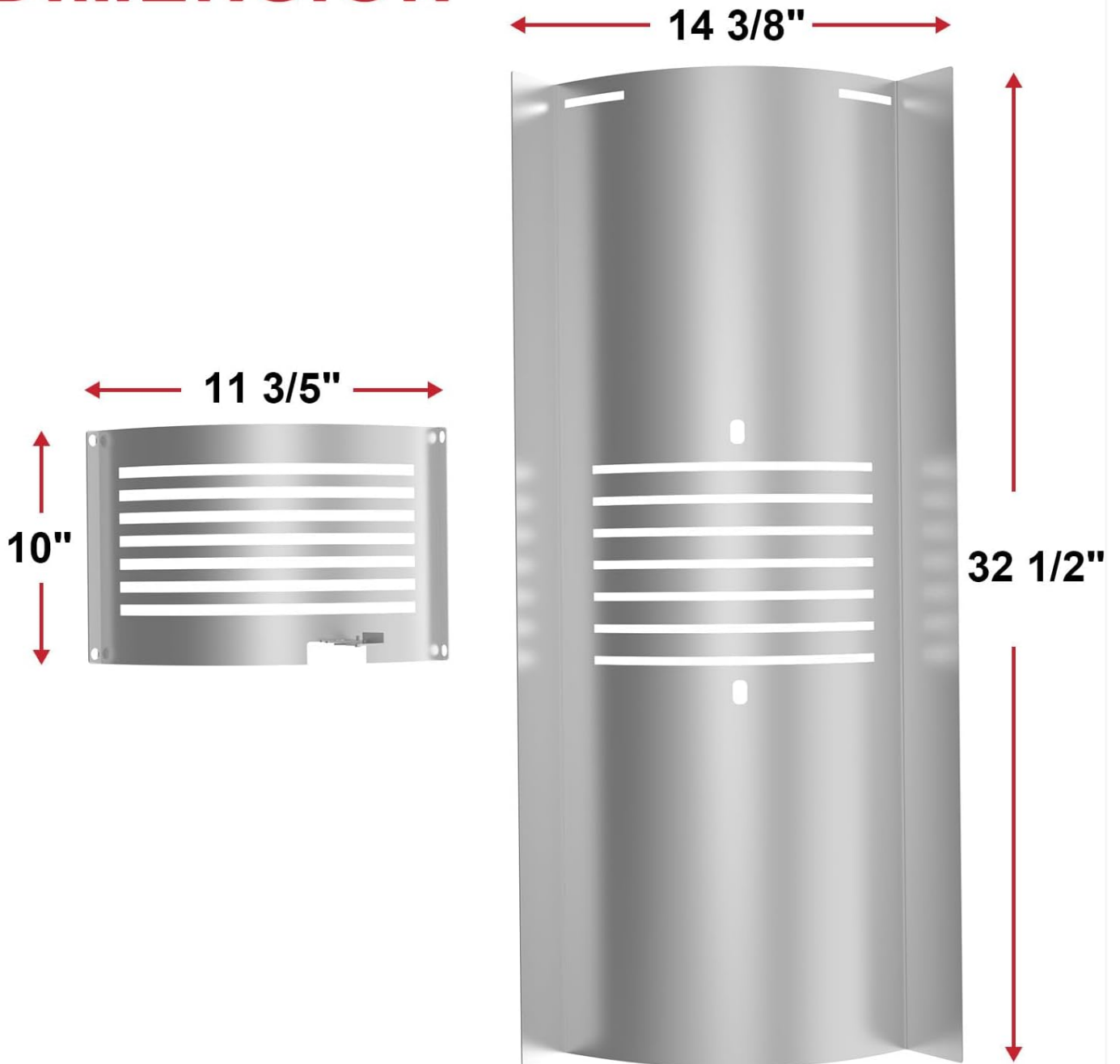
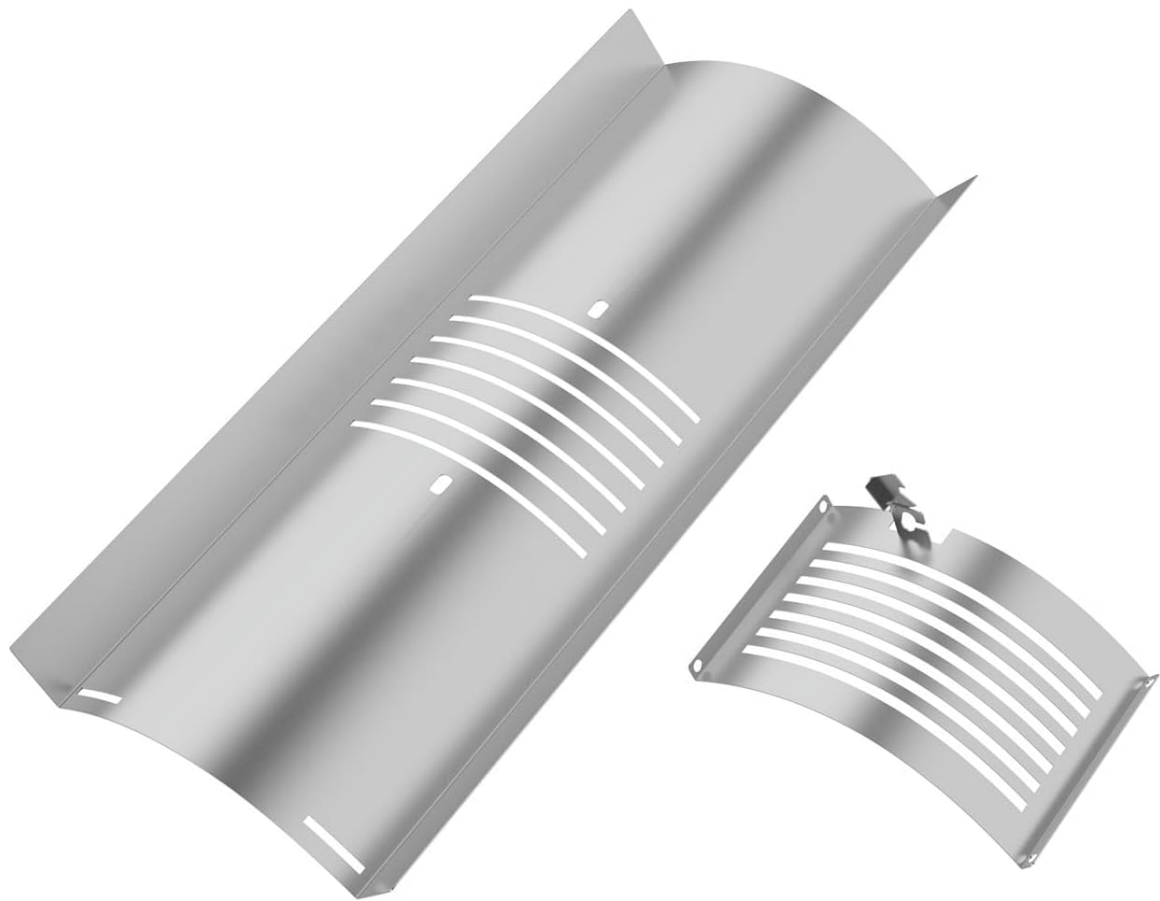


Image 4.1: Dimensions of the flame broiler bottom (32 1/2"L x 14 3/8"W) and slide cover (11 3/5"L x 10"W).



Fits Pit Boss 1600 Series Pellet Grills



Image 4.2: The flame broiler kit is compatible with Pit Boss 1600 Series Pellet Grills.

4.2 Installation Steps

1. Ensure your grill is off and completely cool. Remove existing grill grates and any old flame broiler components.
2. Place the new flame broiler bottom plate into the designated area within your grill. Ensure it sits securely on the support brackets.
3. Align the flame broiler slide cover with the main bottom plate. The slide cover should fit smoothly into the designated slots, allowing it to slide back and forth.
4. Gently push the slide cover into place until it is fully seated.
5. Verify that the slide mechanism operates freely.
6. Replace your grill grates.

EASY INSTALLATION

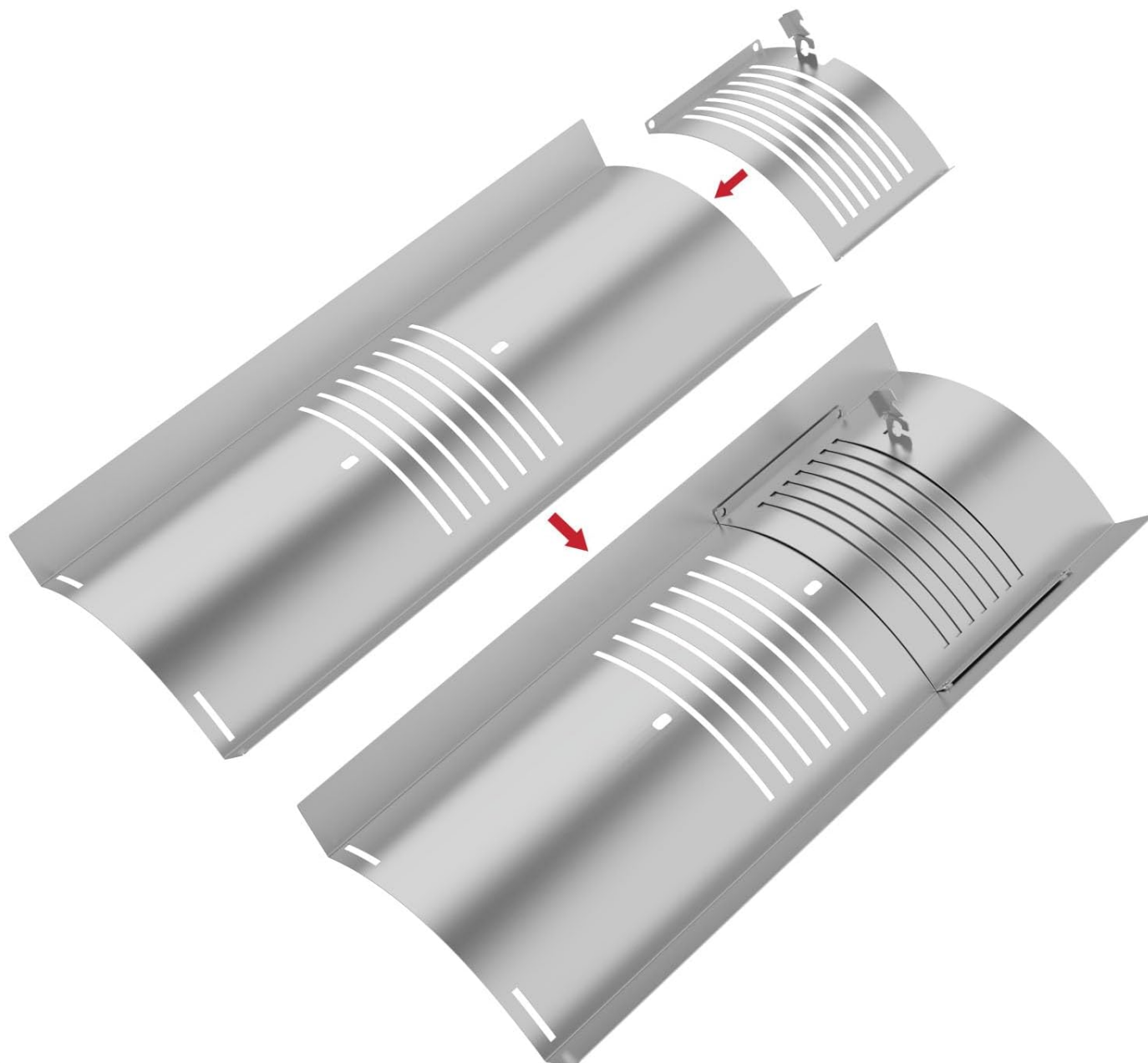


Image 4.3: Visual guide for installing the slide cover onto the flame broiler bottom.



Image 4.4: The flame broiler kit installed within a Pit Boss grill, showing its proper placement.

4.3 Installation Video

Your browser does not support the video tag.

Video 4.1: A demonstration of how to install the GLOWYE Flame Broiler Kit components.

5. OPERATING INSTRUCTIONS

The flame broiler kit allows for direct flame searing and improved heat distribution. The slide cover can be opened or closed to adjust the exposure to direct flame.

- **For Indirect Cooking/Smoking:** Keep the slide cover closed to maintain even heat distribution across the grill surface, ideal for smoking and slow cooking.
- **For Direct Searing:** Slide the cover open to expose the direct flame, allowing for high-temperature searing of meats and other foods. Adjust the opening as needed for desired searing intensity.



Image 5.1: The flame broiler kit in use during a grilling session.

6. MAINTENANCE

Regular cleaning and maintenance will prolong the life of your flame broiler kit and ensure optimal performance.

- **Cleaning:** After each use, once the grill and kit have cooled, scrape off any food residue or grease from the flame broiler bottom and slide cover. Use a grill brush or scraper.
- **Deep Cleaning:** Periodically, remove the components and wash them with warm, soapy water. Rinse thoroughly and dry completely to prevent rust.
- **Inspection:** Regularly inspect the components for any signs of wear, damage, or corrosion. Replace parts if significant damage is observed.
- **Grease Management:** The design helps collect grease. Ensure the grease collection system of your grill is regularly cleaned to prevent flare-ups.

7. TROUBLESHOOTING

If you encounter issues with your GLOWYE Flame Broiler Kit, refer to the common problems and solutions below:

Problem	Possible Cause	Solution
Kit does not fit properly in the grill.	Incorrect model compatibility; manufacturing variance.	Double-check your Pit Boss grill model number against the kit's compatibility. Verify dimensions. If issues persist, contact GLOWYE customer service.
Slide cover is stiff or difficult to move.	Accumulation of grease or food debris; misalignment.	Clean the slide mechanism thoroughly. Ensure the slide cover is correctly seated in its tracks.
Uneven heat distribution.	Grease buildup blocking slots; improper installation.	Clean the slots on both components. Re-install the kit to ensure proper alignment.

8. SPECIFICATIONS

Feature	Detail
Product Name	Flame Broiler Kit
Brand	GLOWYE
Compatibility	Pit Boss 1600 Series Pellet Grills (PB1600PS1, PB1600PS2)
Material	Heavy-duty steel (high temperature, corrosion resistance)
Flame Broiler Slide Cover Dimension	11 3/5"L x 10"W
Flame Broiler Bottom Dimension	32 1/2"L x 14 3/8"W
Item Weight	Approximately 15.27 pounds
Product Dimensions (Overall)	32"L x 14"W x 3"H

9. WARRANTY AND SUPPORT

GLOWYE is committed to providing high-quality products and satisfactory customer service. If you have any questions, concerns, or require assistance with your Flame Broiler Kit, please do not hesitate to contact the GLOWYE customer support team. Please have your product model information ready when contacting support.

For contact information, please refer to the GLOWYE official website or the packaging of your product.