

[Manuals.plus](#) /

› [ZJXDPDF](#) /

› ZJXDPDF Swivel High Chair Instruction Manual (Model B0CRQRNPLP)

ZJXDPDF B0CRQRNPLP

ZJXDPDF Swivel High Chair Instruction Manual

Model: B0CRQRNPLP

1. PRODUCT OVERVIEW

This manual provides instructions for the assembly, operation, and maintenance of your ZJXDPDF Swivel High Chair. Please read this manual thoroughly before use to ensure proper function and safety.

Key Features:

- Ergonomic backrest and waterproof PU leather seat cushion for comfort.
- High-density rebound sponge for prolonged seating comfort.
- Sturdy metal chrome-plated frame with a crescent-shaped arc footrest.
- SGS certified air rod for smooth height adjustment.
- Enlarged base for enhanced stability.
- Adjustable height range from 60 cm to 80 cm.



Image 1.1: The ZJXD PBF Swivel High Chair, Khaki color variant, showcasing its design and features.

2. SAFETY INFORMATION

WARNING: Failure to follow these safety instructions may result in injury or damage to the product.

- Ensure all components are securely fastened before use.
- Do not exceed the maximum weight capacity of 200 kg (440 lb).
- Avoid standing on the chair or using it as a step stool.
- Keep children away from the chair during assembly and adjustment.
- Do not attempt to modify the chair's structure or components.
- Place the chair on a flat, stable surface to prevent tipping.
- Regularly check all screws and connections for tightness.

3. ASSEMBLY INSTRUCTIONS

The ZJXDPBF Swivel High Chair requires assembly. Please follow these steps carefully. It is recommended to assemble the chair on a soft, clean surface to prevent scratches.

Components Checklist:

- Seat cushion with backrest (1)
- Gas lift cylinder (SGS certified air rod) (1)
- Base (1)
- Footrest ring (1)
- Mounting hardware (screws, washers, Allen key)

Step-by-Step Assembly:

1. **Attach the Footrest to the Gas Lift:** Carefully slide the footrest ring onto the gas lift cylinder. Ensure it is positioned at the desired height or as indicated in the diagram.
2. **Insert Gas Lift into Base:** Place the gas lift cylinder firmly into the central hole of the chair's base. Ensure it is seated securely.
3. **Attach Seat to Gas Lift:** Align the mounting plate under the seat cushion with the top of the gas lift cylinder. Press down firmly until the seat is securely attached.
4. **Secure Connections:** Using the provided hardware, ensure all connections between the seat, gas lift, and base are tight. Do not overtighten.

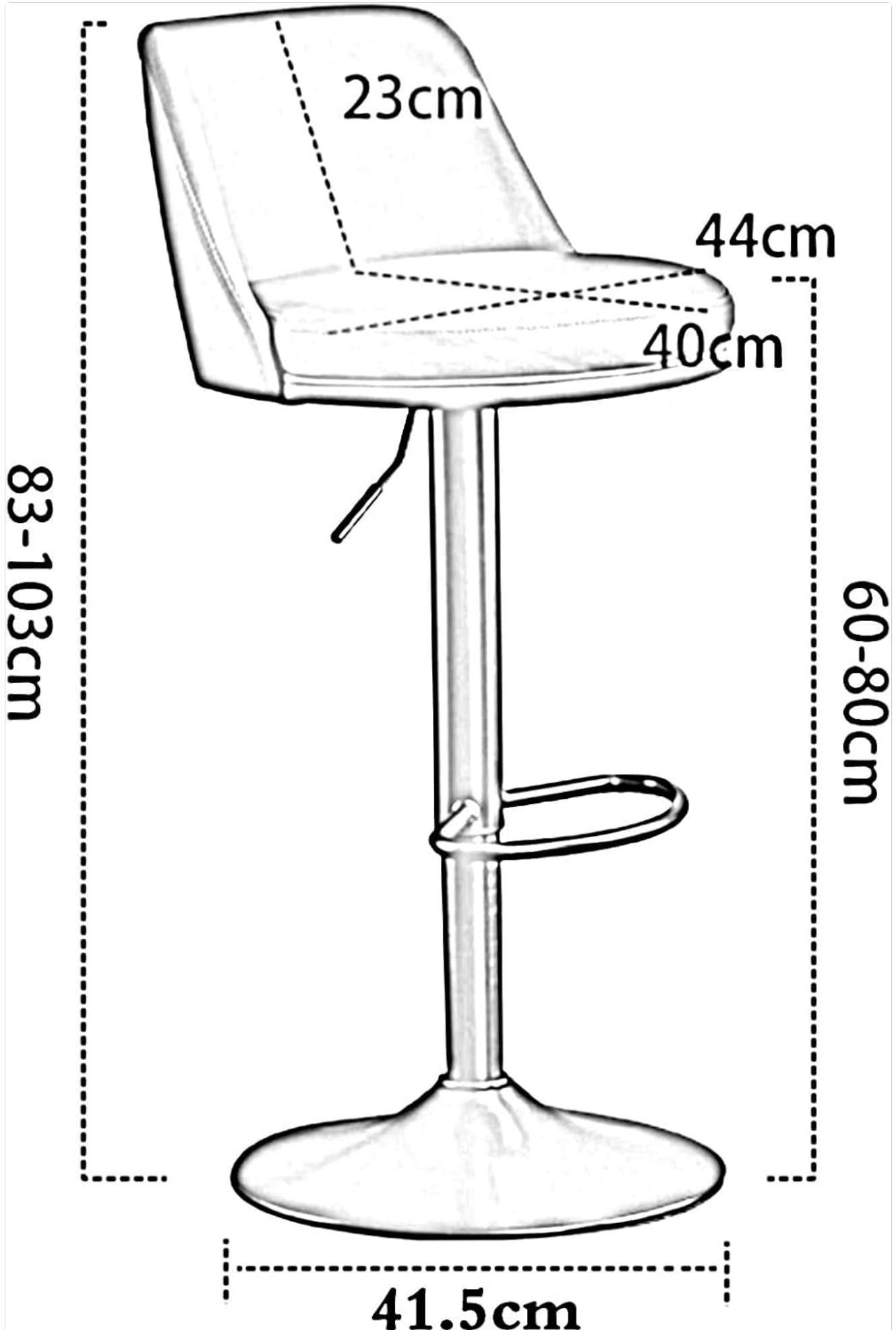


Image 3.1: Dimensional diagram of the high chair, illustrating key measurements for assembly and placement.

SGS certified air rod



Image 3.2: Detail of the SGS certified air rod, the mechanism for height adjustment.

Metal plated chassis with footrest



Image 3.3: The metal plated chassis and footrest, providing stability and comfort.

4. OPERATING INSTRUCTIONS

Height Adjustment:

To adjust the chair's height, locate the lever under the seat cushion.

- **To raise the seat:** While standing, pull the lever upwards. The seat will automatically rise. Release the lever when the desired height is reached.
- **To lower the seat:** While seated, pull the lever upwards. The seat will lower under your weight. Release the lever when the desired height is reached.

Swivel Function:

The chair seat is designed to swivel 360 degrees. Simply rotate the seat to face your desired direction.

5. CARE AND MAINTENANCE

Proper care will extend the life and appearance of your high chair.

- **Cleaning the PU Leather Seat:** Wipe the waterproof PU leather surface with a soft, damp cloth. For stubborn stains, use a mild soap solution and wipe dry immediately. Avoid abrasive cleaners or solvents.
- **Cleaning the Metal Frame:** Clean the chrome-plated metal frame and base with a soft, dry cloth. For smudges, a slightly damp cloth followed by a dry polish can be used. Avoid harsh chemicals that may damage the finish.
- **Regular Inspection:** Periodically check all screws and connections to ensure they remain tight. Retighten if necessary.
- **Avoid Direct Sunlight:** Prolonged exposure to direct sunlight may cause the PU leather to fade or crack.

6. TROUBLESHOOTING

If you encounter any issues with your high chair, refer to the following common problems and solutions:

Problem	Possible Cause	Solution
Chair does not adjust height.	Gas lift cylinder not properly engaged or damaged.	Ensure the lever is fully pulled. If the issue persists, contact customer support.
Chair feels wobbly.	Loose connections or uneven surface.	Check and tighten all assembly screws. Ensure the chair is on a flat, stable floor.
Difficulty swiveling.	Friction or obstruction.	Ensure no objects are obstructing the swivel mechanism. Light lubrication may be applied to the swivel plate if accessible and recommended by support.

7. PRODUCT SPECIFICATIONS

Feature	Detail
Model	B0CRQRNPLP
Brand	ZJXDPBF
Color (as reviewed)	Khaki
Backrest Height	23 cm
Seat Cushion Dimensions	40 cm (width) x 44 cm (depth)
Adjustable Height Range	60 cm - 80 cm
Base Diameter	41.5 cm
Maximum Load Capacity	200 kg (440 lb)
Material	Waterproof PU leather, sponge, metal chrome frame
Assembly Required	Yes



Image 7.1: Example of the high chairs in a bar setting, demonstrating their aesthetic and functional use.

8. CUSTOMER SUPPORT

For any questions, concerns, or assistance with your ZJXD PBF Swivel High Chair, please contact our customer service team.

We are committed to providing support and will respond to your inquiries within 24 hours to help resolve any issues you may encounter.

Please refer to your purchase documentation or the retailer's website for specific contact information.