

[Manuals.plus](#) /

› [CKYSCHN](#) /

› CKYSCHN WLtoys A300 Beechcraft D-17 RC Plane Instruction Manual

## CKYSCHN A300

# CKYSCHN WLtoys A300 Beechcraft D-17 RC Plane Instruction Manual

Model: A300

## 1. INTRODUCTION

Thank you for choosing the CKYSCHN WLtoys A300 Beechcraft D-17 RC Plane. This remote-controlled aircraft is designed for enthusiasts of all skill levels, featuring both 6-Axis Gyro stabilization for beginners and 3D aerobatics mode for experienced pilots. Please read this manual thoroughly before operating the aircraft to ensure safe and optimal performance.



Image 1.1: The CKYSCHN WLtoys A300 Beechcraft D-17 RC Plane, showcasing its classic biplane design and included accessories.

## 2. WHAT'S IN THE BOX

- WLtoys A300 RC Plane (Yellow)
- Remote Control Transmitter (2.4G)
- 2 x 600mAh LiPo Batteries
- Charging Cable
- Screwdriver
- Spare Propeller
- Product Manual

## 3. PRODUCT OVERVIEW

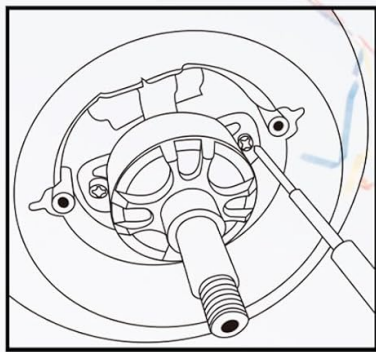
The A300 RC Plane is a 4-channel model equipped with an 1806 brushless motor and 2g high-precision digital servos for responsive control. It features a durable EPP foam construction and integrated lights for enhanced visibility.

### 3.1 Key Features

- **Brushless Motor:** Powerful 1806 brushless motor for efficient flight.
- **6-Axis Gyro Stabilization:** Provides stability and ease of control, ideal for beginners (6G mode).
- **3D Aerobatics Mode:** Allows for advanced maneuvers for experienced pilots.
- **2.4GHz Remote Control:** Ensures stable signal and allows multiple planes to fly simultaneously.
- **Integrated Lights:** Features lights with three modes (On, Slow Flash, Off) for visual appeal and orientation.
- **Low Battery & Out of Range Alarms:** Provides audible alerts from the remote for critical flight conditions.

# WLTOYS A300 RC PLANE

## ■ Beechcraft D-17 Staggerwing



### Brushless Motor

Using 1806 strong magnetic brushless motor, super strong power, 2G high precision digital steering gear, quick response, fast locking.

Motor Type	R/C Mode
1806	2.4 GHz

Colour:  or 



Length: 19.17in  
Wingspan: 21.65in

Image 3.1: Detailed view of the brushless motor and key dimensions of the A300 RC Plane.



Image 3.2: Diagram of the 2.4GHz remote control, indicating power indicator, switches, joysticks, and trim buttons.

## 4. SETUP AND PREPARATION

### 4.1 Battery Installation

1. Ensure the remote control and aircraft are powered off.
2. Open the battery compartment on the aircraft.
3. Connect the LiPo battery to the aircraft's power connector.
4. Carefully place the battery inside the compartment and close the cover.
5. Install 6\*AA batteries (not included) into the remote control.

### 4.2 Binding/Pairing the Remote Control

1. Ensure the throttle stick on the remote control is in the lowest position.
2. Power on the remote control.
3. Power on the aircraft.
4. The remote control and aircraft will automatically bind. A successful bind is indicated by a solid light on both devices.
5. If you accidentally press the throttle during adjustment, unplug the battery and re-adjust.

### 4.3 Pre-Flight Check

- Verify that all control surfaces (ailerons, rudder, elevator) move freely and correctly in response to remote control inputs.
- Ensure the steering gear is parallel before takeoff. Incorrect alignment can affect flight stability.

Your browser does not support the video tag. This video demonstrates important precautions for RC plane setup, including throttle safety and steering gear alignment.

Video 4.1: Important precautions for setting up your RC plane, including ensuring the throttle is off during adjustment and checking steering gear parallelism.

## 5. OPERATING THE AIRCRAFT

### 5.1 Flight Modes (6G/3D)

The A300 offers two flight modes:

- **6G Mode (Beginner):** Utilizes a 6-axis gyroscope for enhanced stability and self-leveling. Recommended for first flights and learning. In this mode, the aircraft wings and horizontal tail will automatically adjust to maintain a stable flight state.
- **3D Aerobatics Mode (Advanced):** Disables gyroscope assistance, allowing for full manual control and advanced aerobatic maneuvers. The plane will not adjust automatically in 3D mode; you need to control the plane yourself.



Image 5.1: Visual representation of the 6G self-stabilizing mode and 3D aerobatics mode.

## 5.2 Takeoff Procedures

The aircraft supports two takeoff methods:

- **Ground Takeoff:** Place the aircraft on a flat surface facing into the wind. Gradually increase throttle and apply slight elevator input to lift off.
- **Hand Throw Takeoff:** Hold the aircraft firmly, adjust the throttle to maximum, and throw the plane horizontally into the wind at a slight upward angle (approx. 30 degrees).

## // A300-BEECH D17S

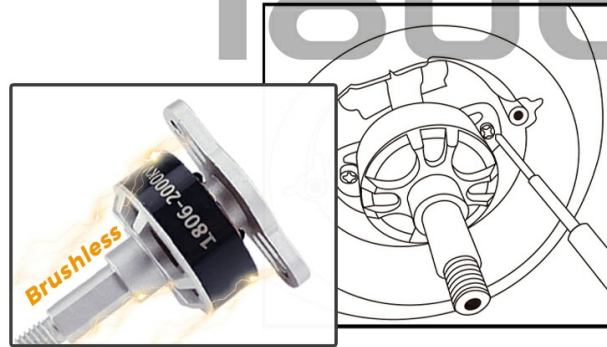


Image 5.2: Illustrations demonstrating the ground takeoff and hand throw takeoff methods.

### 5.3 Integrated Lights

The aircraft features integrated lights that can be controlled via a switch on the remote control. There are three modes: Lights On, Slow Flash, and Lights Off.

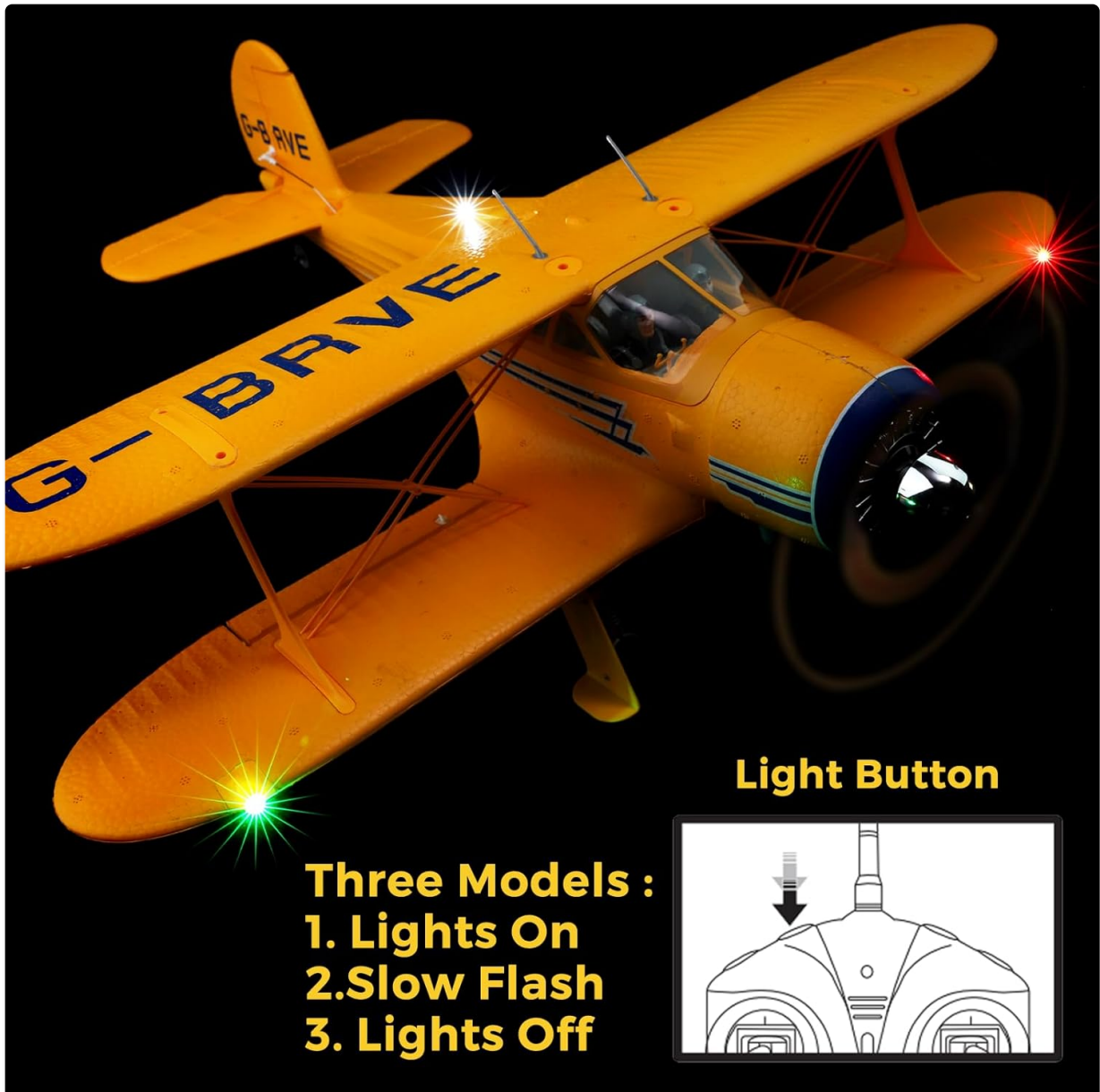


Image 5.3: The A300 RC Plane with its lights illuminated, and a diagram showing the light control button on the remote.

## 5.4 Low Battery and Out of Range Alarms

- **Plane Low Battery:** The remote control will emit two continuous beeps when the aircraft's battery is low.
- **Remote Low Battery:** The remote control will emit two discrete beeps when its own battery is low.
- **Out of Range:** If the aircraft flies beyond the control range (approx. 150m/492ft), it will automatically hover in circles in the air to prevent loss.

# Low Battery Alarm



When the plane is low on power, the transmitter makes two continuous beep and repeats.

When transmitter is low on power, the transmitter will emit two discrete beeps and repeats.

# Out of Aange Alarm

When the RC plane flies beyond the control range, it will automatically hover in circles in the air.



150m/492ft

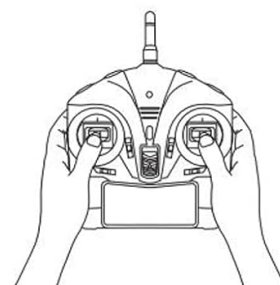


Image 5.4: Visual explanation of the low battery and out of range alarm functions.

Your browser does not support the video tag. This video demonstrates the flight capabilities and features of the WLtoys XK A300 Brushless RC Airplane.

Video 5.1: Flight demonstration of the WLtoys XK A300 Brushless RC Airplane, showcasing its maneuverability and features.

Your browser does not support the video tag. This video provides a general overview of the A300 RC Plane in flight.

Video 5.2: A general flight overview of the A300 RC Plane.

Your browser does not support the video tag. This video highlights the flight characteristics of the CKYSCHN WLtoys Beechcraft D-17 Staggerwing Model RC Airplane.

## 6. MAINTENANCE

---

- Regularly inspect the aircraft for any damage to the fuselage, wings, or propeller.
- Ensure the propeller is securely attached and free from cracks or chips. Replace if damaged.
- Keep the aircraft clean and dry. Avoid exposure to moisture and extreme temperatures.
- Store batteries in a cool, dry place and follow proper charging guidelines.

## 7. TROUBLESHOOTING

---

Problem	Possible Cause	Solution
Aircraft does not respond to remote control.	Not bound/paired; low battery (aircraft or remote).	Re-bind the remote and aircraft; charge/replace batteries.
Aircraft flies erratically or is unstable.	Steering gear not parallel; strong wind; incorrect flight mode.	Check and adjust steering gear; fly in calm conditions; switch to 6G mode.
Propeller not spinning.	Throttle not engaged; damaged motor/propeller; low battery.	Ensure throttle is up; inspect/replace propeller/motor; charge battery.

## 8. SPECIFICATIONS

---

- **Model:** A300
- **Brand:** CKYSCHN / WLtoys
- **Product Dimensions:** 21.65 x 19.1 x 8.66 inches
- **Item Weight:** 2.74 pounds
- **Motor:** 1806 Brushless Motor
- **Battery:** 7.4V 600mAh 25c LiPo (x2 included)
- **Control Mode:** 2.4GHz
- **Control Range:** Approximately 150m (492ft)
- **Recommended Age:** 14 years and up
- **Manufacturer:** Guangdong Weili Intelligent Development Co., Ltd

# PRODUCT INFORMATION

## A300-BEECH D17S

**Name.**

**WLtoys A300 4 Channel RC Plane**

**Motor.**

**1806 Brushless Motor**

**Size.**

**55×48.7×22cm**

**Battery.**

**7.4V 600mAh 25c \*2**

**Box size.**

**60×24×19cm**

**Mode.**

**2.4GHz (Control Range is 150m)**

**Color:**



Image 8.1: Detailed product information including dimensions, motor type, and battery specifications.

## 9. SAFETY INFORMATION

- Always operate the aircraft in open areas, away from people, animals, buildings, and power lines.
- Do not fly in strong winds or adverse weather conditions.
- Keep hands and face clear of the rotating propeller.
- Ensure batteries are charged using the provided charging cable and never leave charging batteries unattended.
- This product is recommended for users aged 14 and up. Adult supervision is advised for younger operators.
- No specific Proposition 65 warning is applicable for this product.

## 10. WARRANTY AND SUPPORT

For warranty information, technical support, or replacement parts, please contact CKYSCHN customer service through your original purchase channel. Please retain your proof of purchase for any warranty

claims.