

## Manuals+

[Q & A](#) | [Deep Search](#) | [Upload](#)

[manuals.plus](#) /

› [Dornbracht](#) /

› [Dornbracht Single Lever Mixer MEM 33800682 Chrome - Instruction Manual](#)

## Dornbracht 33800682-00

# Dornbracht Single Lever Mixer MEM 33800682 Chrome - Instruction Manual

Model: 33800682-00 | Brand: Dornbracht

## INTRODUCTION

---

This manual provides comprehensive instructions for the installation, operation, and maintenance of your Dornbracht Single Lever Mixer MEM 33800682 Chrome. Designed for kitchen use, this high-quality brass faucet features a single-hole deck mount installation and a polished chrome finish. Please read this manual thoroughly before installation and use to ensure proper function and longevity of your product.



Figure 1: Dornbracht Single Lever Mixer MEM 33800682 Chrome. This image displays the elegant design of the single lever kitchen faucet in its polished chrome finish.

## SAFETY INFORMATION

---

- Always turn off the main water supply before beginning any installation or maintenance work.
- Wear appropriate personal protective equipment, such as safety glasses and gloves, during installation.
- Ensure all connections are secure and watertight to prevent leaks.
- If you are unsure about any part of the installation process, consult a qualified plumber.
- Do not use harsh chemicals or abrasive cleaners on the faucet's finish, as this may cause damage.

## PACKAGE CONTENTS

---

Verify that all components are present before beginning installation:

- Dornbracht Single Lever Mixer MEM 33800682 Chrome Faucet
- Mounting Hardware
- Connection Hoses
- Valve (included as part of the faucet assembly)
- Instruction Manual (this document)

## SETUP AND INSTALLATION

---

Before you begin, ensure you have the necessary tools: adjustable wrench, screwdriver, plumber's tape, and a basin wrench (if needed). Refer to the dimension diagram for precise measurements and hole requirements.

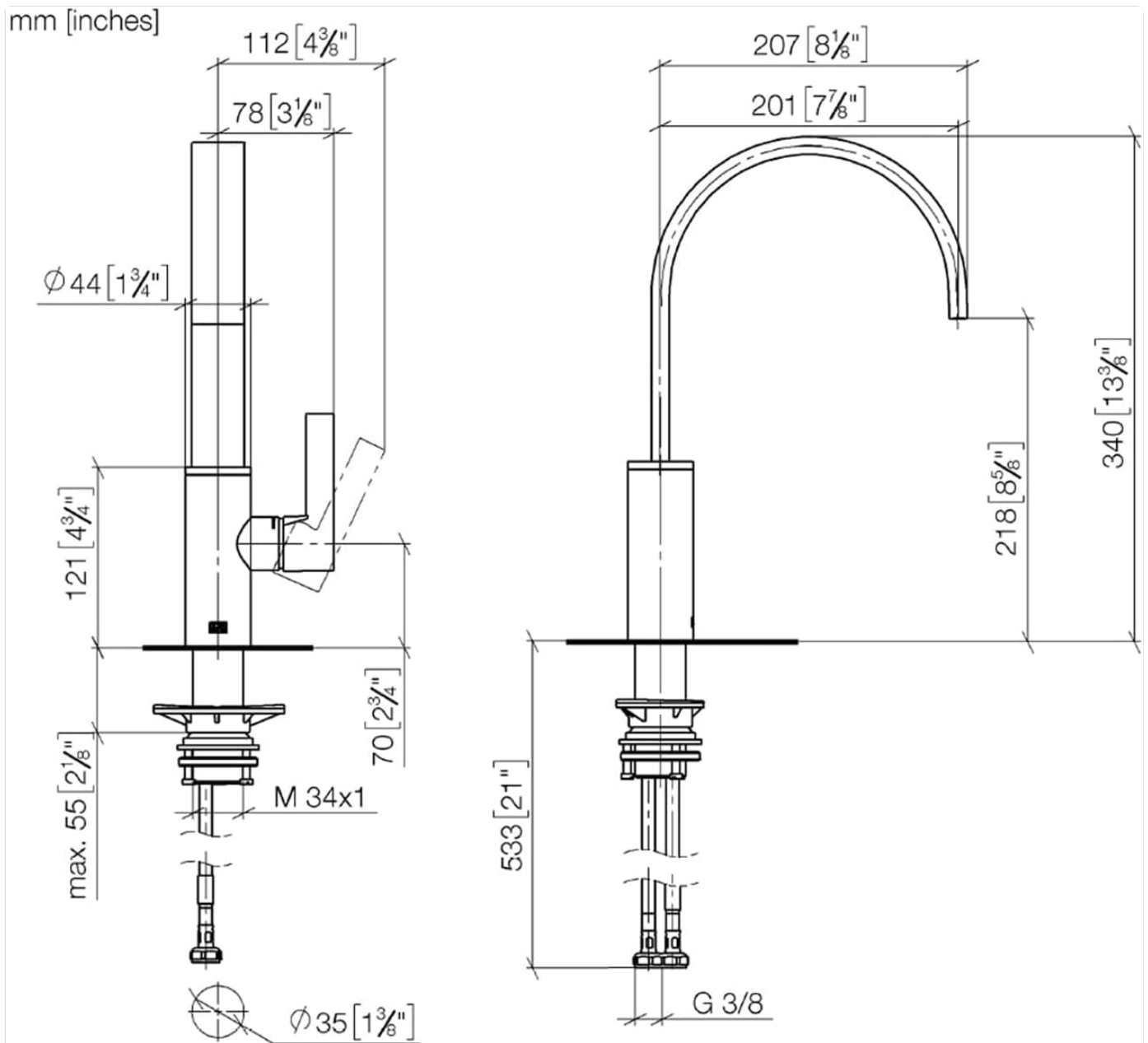


Figure 2: Detailed dimensions and installation diagram for the Dornbracht Single Lever Mixer. This diagram provides critical measurements for proper installation, including spout reach, height, and mounting hole diameter.

### Installation Steps:

- 1. Prepare the Sink/Countertop:** Ensure the mounting hole in your sink or countertop is clean and free of debris. The required hole count is 1, and the diameter should accommodate the faucet base (refer to Figure 2 for exact dimensions, typically around 1 3/8 inches or 35mm).
- 2. Mount the Faucet:**
  - Place the gasket (if provided) over the mounting hole on the sink/countertop.
  - Insert the faucet body through the mounting hole.
  - From underneath the sink, slide the rubber washer, then the metal washer, over the threaded shank of the faucet.
  - Thread the mounting nut onto the shank and tighten it securely with a basin wrench or adjustable wrench. Ensure the faucet is properly aligned before fully tightening.
- 3. Connect Water Supply Lines:**
  - Attach the hot and cold water supply lines to the corresponding inlets on the faucet body. Use plumber's tape on the threads for a watertight seal.
  - Connect the other ends of the supply lines to your hot and cold water shut-off valves. Tighten connections firmly but do not overtighten.

#### 4. Check for Leaks:

- Slowly turn on the main water supply.
- Check all connections for any signs of leaks. If leaks are present, tighten the connections slightly until they stop.
- Run water through the faucet for a few minutes to flush out any debris from the lines.

## OPERATING INSTRUCTIONS

---

The Dornbracht Single Lever Mixer is designed for intuitive operation:

- **Water Flow Control:** Lift the single lever handle upwards to increase water flow. Push it downwards to decrease flow and turn off the water.
- **Temperature Control:** Move the single lever handle to the left for hot water and to the right for cold water. Adjust the position between hot and cold to achieve your desired water temperature.

## MAINTENANCE

---

Proper care will ensure the lasting beauty and performance of your Dornbracht faucet, which features a durable chrome polished finish.



Figure 3: Dornbracht offers various surface finishes. Your faucet is in Chrome Polished, which requires specific care to maintain its luster.

- **Cleaning:** Clean the faucet regularly with a soft cloth and mild soap and water. Rinse thoroughly with clean water and dry immediately to prevent water spots.
- **Avoid Harsh Cleaners:** Do not use abrasive cleaners, scouring pads, ammonia-based cleaners, or cleaners containing bleach, acids, or alcohol. These can damage the chrome finish.

- **Aerator Maintenance:** If water flow becomes restricted, the aerator at the end of the spout may be clogged. Unscrew the aerator, clean any debris, and rinse it before reattaching.

## TROUBLESHOOTING

Problem	Possible Cause	Solution
Low Water Flow	Clogged aerator; partially closed shut-off valve; debris in supply lines.	Clean aerator. Ensure shut-off valves are fully open. Flush supply lines.
Leaking at Faucet Base	Loose mounting nut; damaged gasket.	Tighten mounting nut. Inspect and replace gasket if damaged.
Leaking from Handle	Worn cartridge.	Contact Dornbracht customer support for a replacement cartridge.
Water Temperature Issues	Incorrect supply line connection; water heater issues.	Verify hot and cold supply lines are connected correctly. Check water heater settings.

## SPECIFICATIONS

<b>Brand</b>	Dornbracht
<b>Model Name</b>	33 800 682-00
<b>Part Number</b>	33800682-00
<b>Recommended Uses</b>	Kitchen
<b>Mounting Type</b>	Deck Mount
<b>Installation Type</b>	Single Hole
<b>Finish Type</b>	Chrome Polished
<b>Material</b>	Brass
<b>Number of Handles</b>	1
<b>Hole Count</b>	1
<b>Special Feature</b>	Lead Free
<b>Spout Design</b>	Traditional Curve
<b>Item Weight</b>	3.34 pounds (1.52 Kilograms)

## WARRANTY AND SUPPORT

Dornbracht products are known for their world-class German quality. For specific warranty information, please refer to the warranty card included with your product or visit the official Dornbracht website. For technical support, replacement parts, or service inquiries, please contact Dornbracht customer service directly. Keep your purchase receipt as proof of purchase for

warranty claims.

You can find contact information on the official Dornbracht website: [www.dornbracht.com](http://www.dornbracht.com)

© 2024 Dornbracht. All rights reserved. This manual is for informational purposes only.