

DeerValley DV-1U0132

DeerValley DV-1U0132 Undermount Bathroom Sink Instruction Manual

INTRODUCTION

This manual provides detailed instructions for the installation, operation, maintenance, and care of your DeerValley DV-1U0132 Undermount Bathroom Sink. Please read all instructions carefully before beginning installation or use to ensure proper function and longevity of the product.

PRODUCT FEATURES

- **Premium Ceramic Material:** Constructed from ceramic, this undermount sink offers durability, scratch resistance, and stain resistance.
- **Undermount Installation:** Designed for a simple and secure undermount installation, providing a seamless look.
- **Hidden Overflow Hole:** Features a hidden overflow hole to prevent water from overflowing the basin.
- **Easy to Clean Surface:** The smooth, non-porous surface facilitates effortless cleaning and maintenance.
- **Dimensions:** External Dimensions: 27.56" L x 15.87" W x 7.48" H. Internal Dimensions: 25" L x 13.11" W x 5.31" H.

DeerValley®

Durability

Scratch and stain-resistant for lasting quality.



Naturally Hygienic

The non-porous vitreous china material inhibits bacteria build-up.



Seamless Design

No visible seams or lines for a sleek look.



Effortless Installation

Under-counter installation with a standard 1 3/4" drain opening.



Easy to Clean

A smooth surface that easily wipes clean with regular household products.



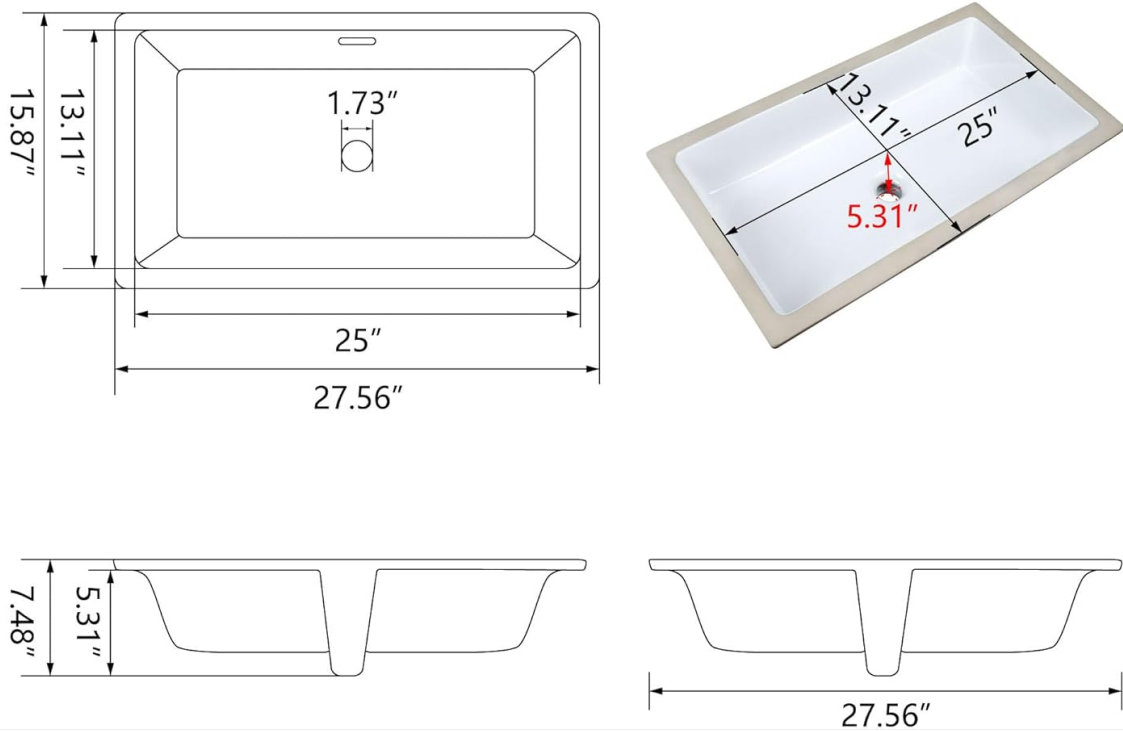
This graphic highlights the sink's durable, scratch-resistant, and stain-resistant ceramic material, its non-porous surface for hygiene, seamless integration, and ease of installation.

SPECIFICATIONS

Brand	DeerValley
Model Number	DV-1U0132
Color	White
Material	Ceramic
External Dimensions (L x W x H)	27.56" x 15.87" x 7.48"
Internal Dimensions (L x W x H)	25" x 13.11" x 5.31"
Installation Type	Undermount
Drain Type	Pop-Up (drain assembly not included)
Shape	Rectangular

DeerValley®

All dimensions are manually measured with a certain degree of error, the specific size please refer to the received item.



This diagram provides detailed external and internal dimensions of the sink, including length, width, and height, crucial for installation planning.

INSTALLATION GUIDE

The DeerValley DV-1U0132 sink is designed for undermount installation. Professional installation is recommended to ensure proper sealing and support.

Before Installation:

1. Inspect the sink for any damage prior to installation.
2. Ensure you have all necessary tools and materials, including a compatible pop-up drain with an overflow hole (not included).
3. Verify countertop cutout dimensions match the sink specifications.

Installation Steps (General):

1. Prepare the countertop opening according to the sink's template.
2. Apply a continuous bead of silicone sealant around the rim of the sink.
3. Carefully position the sink under the countertop opening.
4. Secure the sink to the countertop using appropriate mounting clips (not included) and hardware.
5. Install the drain assembly into the sink's drain opening, ensuring a watertight seal.
6. Connect the plumbing according to local codes.



The drainage hole is molded for a leak-proof design, ensuring a snug fit with a pop-up drain with an overflow hole.

Standard Drain Fit

The image illustrates the standard drain opening, molded for a leak-proof fit with a pop-up drain that includes an overflow hole.

OPERATION

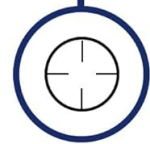
The DeerValley DV-1U0132 sink functions as a standard bathroom wash basin. The integrated overflow hole is a key operational feature.

Overflow Protection:

The hidden overflow hole is a small opening located at the back of the sink basin. Its purpose is to allow excess water to drain out, preventing the basin from overflowing and potentially causing water damage to the surrounding area. This feature operates automatically when water levels rise above the main drain opening.



The overflow hole is a small opening at the back of the sink basin. It lets extra water drain out to prevent overflowing, helping ensure safe drainage and flood protection for the sink and surrounding area.



Overflow Hole Design

This image details the hidden overflow hole, a safety feature designed to prevent water from overflowing the basin.

MAINTENANCE AND CARE

Proper care will help maintain the appearance and extend the life of your ceramic sink.

Daily Cleaning:

- Wipe the sink with a damp cloth and mild soap after each use.
- Rinse thoroughly with clean water and dry with a soft cloth to prevent water spots.

Avoid:

- Abrasive cleaners, scouring pads, or harsh chemicals (e.g., bleach, ammonia-based cleaners) as these can damage the ceramic finish.
- Leaving acidic substances (e.g., lemon juice, vinegar) on the surface for extended periods.



Intimate Security

For the safety of the family, the angles of the basin are rounded and polished to avoid stumbling and injury to the family.

Excellent Drainage

The large diameter of the drain improves drainage speed and reduces the risk of clogged downspouts.



This graphic highlights the rounded and polished corners for safety and the large diameter drain for excellent drainage, reducing clogging.

TROUBLESHOOTING

Below are common issues and potential solutions for your sink.

Drainage Issues:

- **Slow Drainage:** Check the pop-up drain for debris or hair accumulation. Clean as necessary. Ensure the drain stopper is fully open.
- **Leaking Around Drain:** Verify that the drain assembly is properly sealed and tightened. Re-apply plumber's putty or silicone sealant if needed.

Missing Components:

- **Missing Mounting Clips or Pop-Up Drain:** The sink typically does not include mounting clips or a pop-up drain assembly. These items must be purchased separately to complete the installation.

WARRANTY AND SUPPORT

The DeerValley DV-1U0132 Undermount Bathroom Sink is covered by a 1-year warranty from the date of purchase. This warranty covers manufacturing defects and material flaws under normal use and service.

To Claim Warranty:

Please retain your proof of purchase. For warranty claims or technical support, contact DeerValley customer service through their official website or the retailer where the product was purchased.