

[Manuals.plus](#) /

› [EMKE](#) /

› EMKE Flat Panel Towel Warmer Radiator User Manual - 1320x400mm Black 570W

EMKE 1320x400mm

EMKE Flat Panel Towel Warmer Radiator

USER MANUAL - MODEL: 1320x400MM, BLACK, 570W

Introduction

Thank you for choosing the EMKE Flat Panel Towel Warmer Radiator. This manual provides essential information for the safe and efficient installation, operation, and maintenance of your new hot water towel warmer. Please read these instructions carefully before installation and retain them for future reference.

This EMKE flat panel towel warmer radiator, model 1320 x 400 mm in black, provides 570W of heat, suitable for areas up to 6 square meters. Designed for hot water systems, it features flexible side connections (G1/2 thread, 50mm spacing) and can be installed inverted. Constructed from high-quality SPCC mild steel for durability and corrosion resistance, it offers a space-saving wall-mounted design with an adjustable distance of 99-115 mm from the wall.



Image: The EMKE Flat Panel Towel Warmer Radiator, 1320x400mm in black, installed in a modern bathroom.

Safety Information

- Always ensure proper installation by a qualified professional to prevent leaks and ensure safe operation.
- Do not cover the radiator with excessive items as this can impede heat distribution and pose a fire hazard.
- The surface of the radiator can become hot during operation. Avoid prolonged direct contact to prevent burns.
- Keep children and pets away from the hot surface.
- Ensure the heating system is properly bled to remove air, which can affect performance and cause noise.
- Do not use abrasive cleaners or solvents on the radiator's surface, as this can damage the finish.

Product Specifications

Feature	Detail
---------	--------

Feature	Detail
Model	Flat Panel Towel Warmer Radiator
Dimensions (H x W)	1320 mm x 400 mm
Color	Black
Heat Output	570 W
Applicable Area	Up to 6 m ²
Energy Type	Hot Water
Connection Method	Side connection (left or right, invertible)
Thread Size	G1/2
Spacing	50 mm
Material	SPCC Mild Steel
Wall Distance (adjustable)	99-115 mm

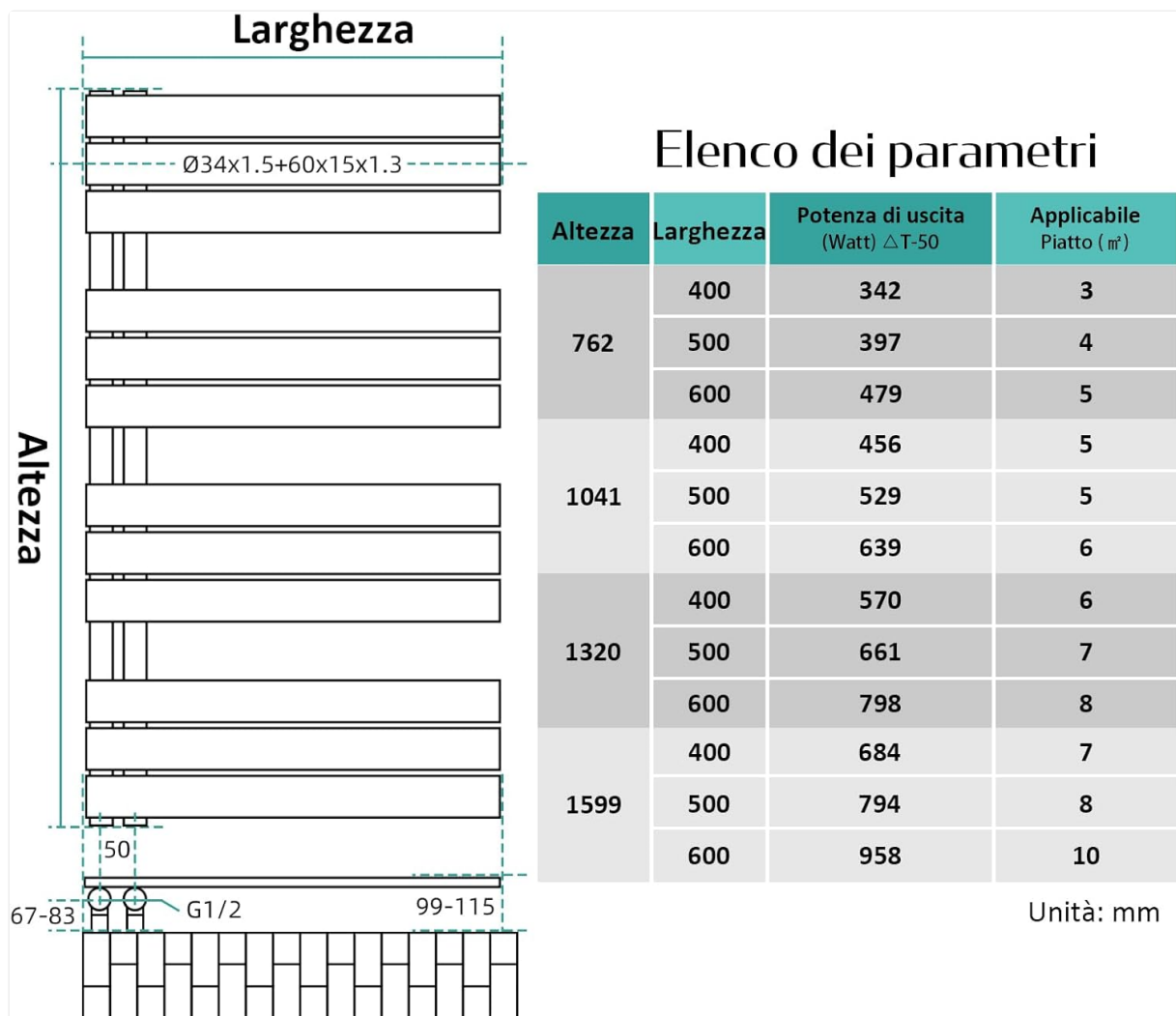


Image: Detailed diagram illustrating dimensions and heat output parameters for different EMKE towel warmer models.

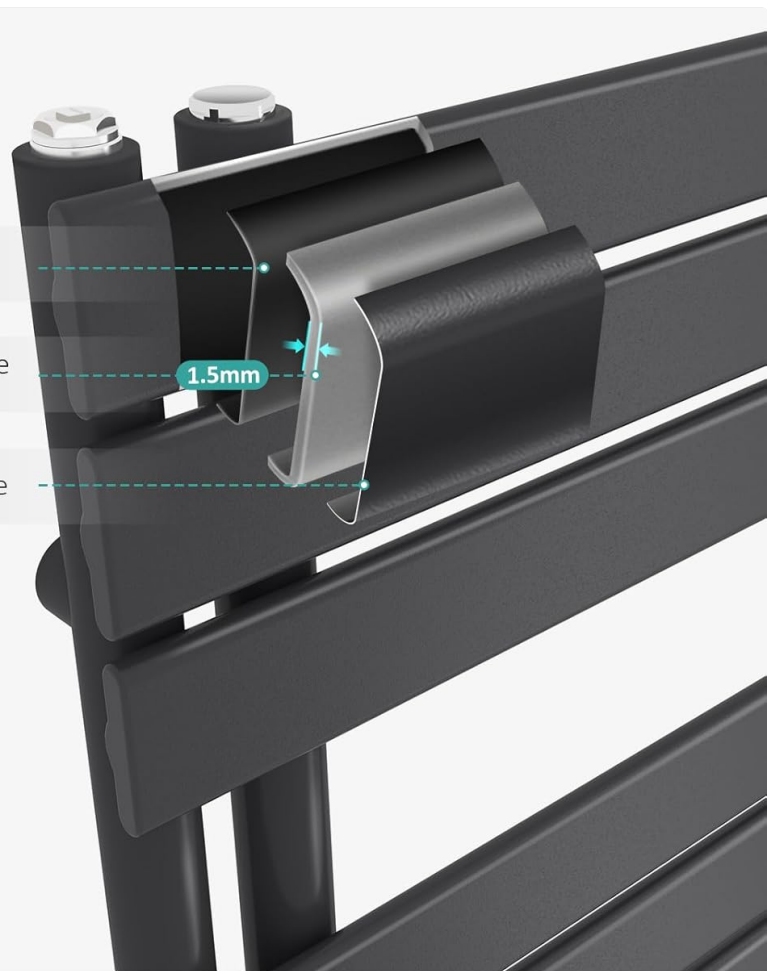
① Rivestimento di protezione ambientale

② Acciaio **SPCC** a basso tenore di carbonio

③ Rivestimento anticorrosione



Acciaio SPCC



Materiale di alta qualità

Ecologico, anticorrosivo e durevole

Image: Illustration of the high-quality SPCC mild steel construction with environmental protection and anti-corrosion coatings.

Setup and Installation

1. Unpacking

Carefully remove all components from the packaging. Verify that all parts are present against the packing list. Keep packaging materials until installation is complete.

2. Mounting Location

Choose a suitable wall in your bathroom that can safely support the weight of the radiator when filled with water. Ensure there are no hidden pipes or electrical wires in the drilling area. Maintain recommended clearances from other objects for optimal heat distribution.

3. Wall Mounting

1. Mark the drilling points on the wall precisely according to the dimensions of the provided mounting brackets.
2. Drill holes at the marked points and insert appropriate wall plugs suitable for your wall type (e.g., brick, plasterboard).
3. Secure the mounting brackets firmly to the wall using the supplied screws.

- Carefully attach the towel warmer to the installed brackets, ensuring it is level and securely fastened.

4. Water Connection

This radiator is designed for hot water central heating systems. A qualified plumber should perform the connection.

- Connect the radiator to your hot water heating system using the G1/2 threaded connections.
- The radiator supports flexible side connections and can be inverted to allow for either left or right connection points.
- Ensure all connections are properly sealed with appropriate sealing materials (e.g., PTFE tape) to prevent leaks.
- Note: Connection valves are not included and must be purchased separately.

Cambio di direzione

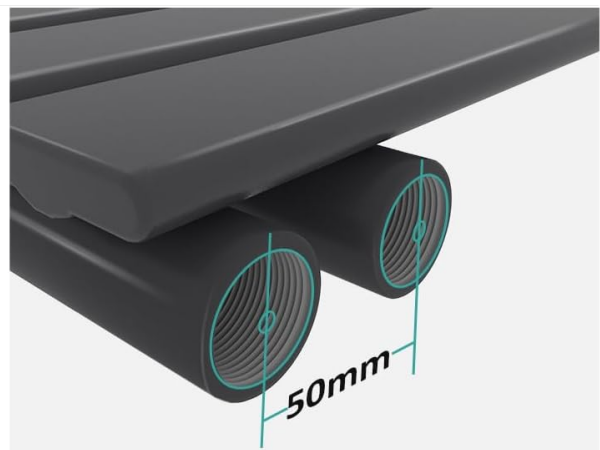
La forma invertita consente di collegare lo scaldasalviette a destra o a sinistra.



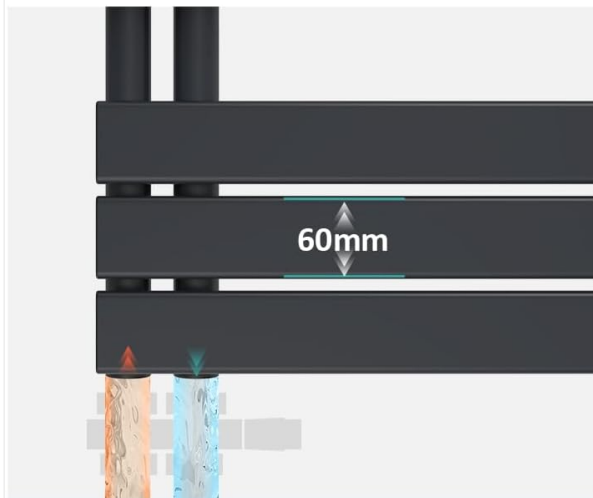
Image: Illustration demonstrating the flexible connection options, allowing the radiator to be installed with connections on either the left or right side by inverting it.



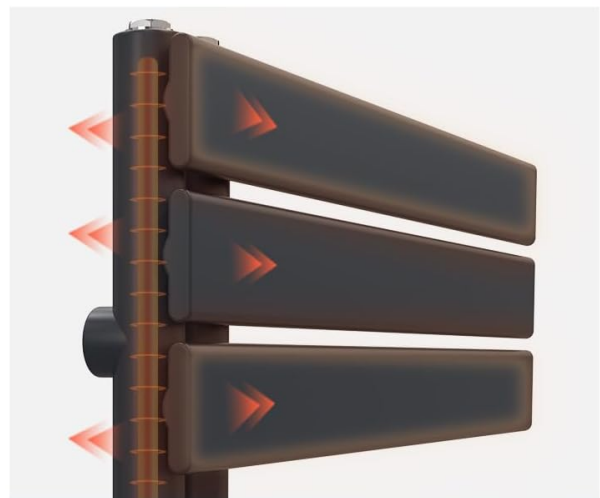
Distanza dalla parete regolabile



Filettatura di collegamento G1/2"



Acqua calda di tipo energetico



Maggiore conducibilità termica

Image: Close-up views detailing the adjustable wall distance (99-115mm), G1/2 connection thread, 50mm spacing, and hot water energy type for efficient thermal conductivity.

5. System Filling and Bleeding

1. Once the radiator is securely installed and connected, fill the central heating system with water according to your system's instructions.
2. Locate the bleed valve on the radiator (usually at the top). Using a radiator key, slowly open the valve until air escapes. Close the valve once a steady stream of water emerges. This process removes trapped air, ensuring efficient heating and preventing noise.

Operating Instructions

The EMKE towel warmer operates as an integral part of your central hot water heating system. Its operation is directly linked to your home's heating system.

- To activate heating, ensure your central heating system is operational and the valves connected to the towel warmer are fully open.
- The radiator will heat up as hot water circulates through its internal channels.
- If your connection valves are thermostatic, you can adjust the heat output by rotating the valve head to your desired setting.

- For optimal performance, avoid placing large, thick items that completely cover the radiator, as this can reduce heat emission.



Image: The towel warmer effectively distributing heat, indicated by orange arrows, in a bathroom environment.

Maintenance

- **Cleaning:** Clean the radiator regularly with a soft, damp cloth. For stubborn marks, a mild soap solution can be used. Rinse thoroughly and dry immediately. Do not use abrasive materials, harsh chemicals, or solvents, as these can damage the black finish and protective coatings.
- **Inspection:** Periodically inspect all pipe connections for any signs of leaks. Address any leaks promptly to prevent water damage.
- **Bleeding:** If you notice cold spots on the radiator or hear gurgling/hissing noises, it indicates trapped air. Bleed the radiator as described in the 'System Filling and Bleeding' section to restore efficient operation.

Troubleshooting

Problem	Possible Cause	Solution
---------	----------------	----------

Problem	Possible Cause	Solution
Radiator not heating or only partially heating	<ul style="list-style-type: none"> ◦ Central heating system is off. ◦ Radiator valves are closed or partially closed. ◦ Air trapped inside the radiator. 	<ul style="list-style-type: none"> ◦ Check and turn on your central heating system. ◦ Ensure all radiator valves are fully open. ◦ Bleed the radiator to release trapped air (refer to Setup section).
Gurgling or hissing noises	Air trapped inside the radiator.	Bleed the radiator to release trapped air.
Water leaks from connections	Loose connections or faulty seals.	Carefully tighten connections. If leaks persist, turn off the water supply to the radiator and contact a qualified plumber.

Warranty Information

Warranty information for your EMKE Flat Panel Towel Warmer Radiator is typically provided with your purchase documentation. Please refer to your sales receipt, warranty card, or the retailer's terms and conditions for specific details regarding coverage, duration, and claims procedures. Keep your proof of purchase in a safe place.

Customer Support

Should you require technical assistance, have questions about installation, or need to report an issue, please contact EMKE customer service. You can usually find contact details on the EMKE official website or through the retailer where you purchased the product. Please have your product model and purchase date ready when contacting support.