

WENCAI BL-8812

WENCAI BL-8812 88 Key Fully Weighted Digital Piano Keyboard Instruction Manual

Model: BL-8812 | Brand: WENCAI

1. INTRODUCTION

Thank you for choosing the WENCAI BL-8812 Digital Piano Keyboard. This instrument is designed to provide a rich and authentic piano playing experience with its 88 fully weighted, hammer-action keys. It features an advanced French digital chip for outstanding sound quality and a wide range of functions suitable for both beginners and professionals. This manual will guide you through the setup, operation, and maintenance of your new digital piano.

Key Features:

- **Fully Weighted 88-Key Design:** Progressive hammer action keys respond to playing dynamics, enhancing technique and finger strength.
- **Outstanding Sound Source:** Utilizes a French digital chip and high-power dual stereo speakers for a full, powerful, and authentic piano sound.
- **Versatile Functions:** Boasts 128 timbres, 100 rhythms, and 88 demonstration songs. Includes volume adjustment, multi-tone selection, recording, playback, split, dual mode, tempo change, and transposition.
- **Connectivity:** MIDI/USB interface for connection to computers and smart devices, supporting self-study and teaching. Features a headphone jack for private practice.
- **Triple Pedal Unit:** Comes with metal pedals for precise emotional control and expression.

2. SAFETY INSTRUCTIONS

Please read and follow these safety instructions carefully to ensure safe and proper use of your digital piano.

- **Power Supply:** Use only the provided power adapter. Ensure the voltage matches the requirements specified on the adapter.
- **Placement:** Place the piano on a stable, level surface to prevent tipping. Avoid locations with extreme temperatures, humidity, direct sunlight, or excessive dust.
- **Ventilation:** Do not block ventilation openings. Ensure adequate airflow around the instrument.

- **Water and Moisture:** Keep the instrument away from water or other liquids. Do not operate with wet hands.
- **Cleaning:** Disconnect the power before cleaning. Use a soft, dry cloth. Avoid liquid cleaners or abrasive materials.
- **Children:** Supervise children when they are using the instrument to prevent accidents.
- **Servicing:** Do not attempt to repair the instrument yourself. Refer all servicing to qualified personnel.

3. PACKAGE CONTENTS

Please verify that all the following items are included in your package:

- WENCAI BL-8812 Digital Piano Body (1 unit)
- Piano Stand (4 pieces)
- Music Stand (1 unit)
- Triple Pedal Unit (1 unit)
- Power Adapter (PES certified) (1 unit)
- English Instruction Manual (1 unit)
- Assembly Screws and Tools

4. SETUP

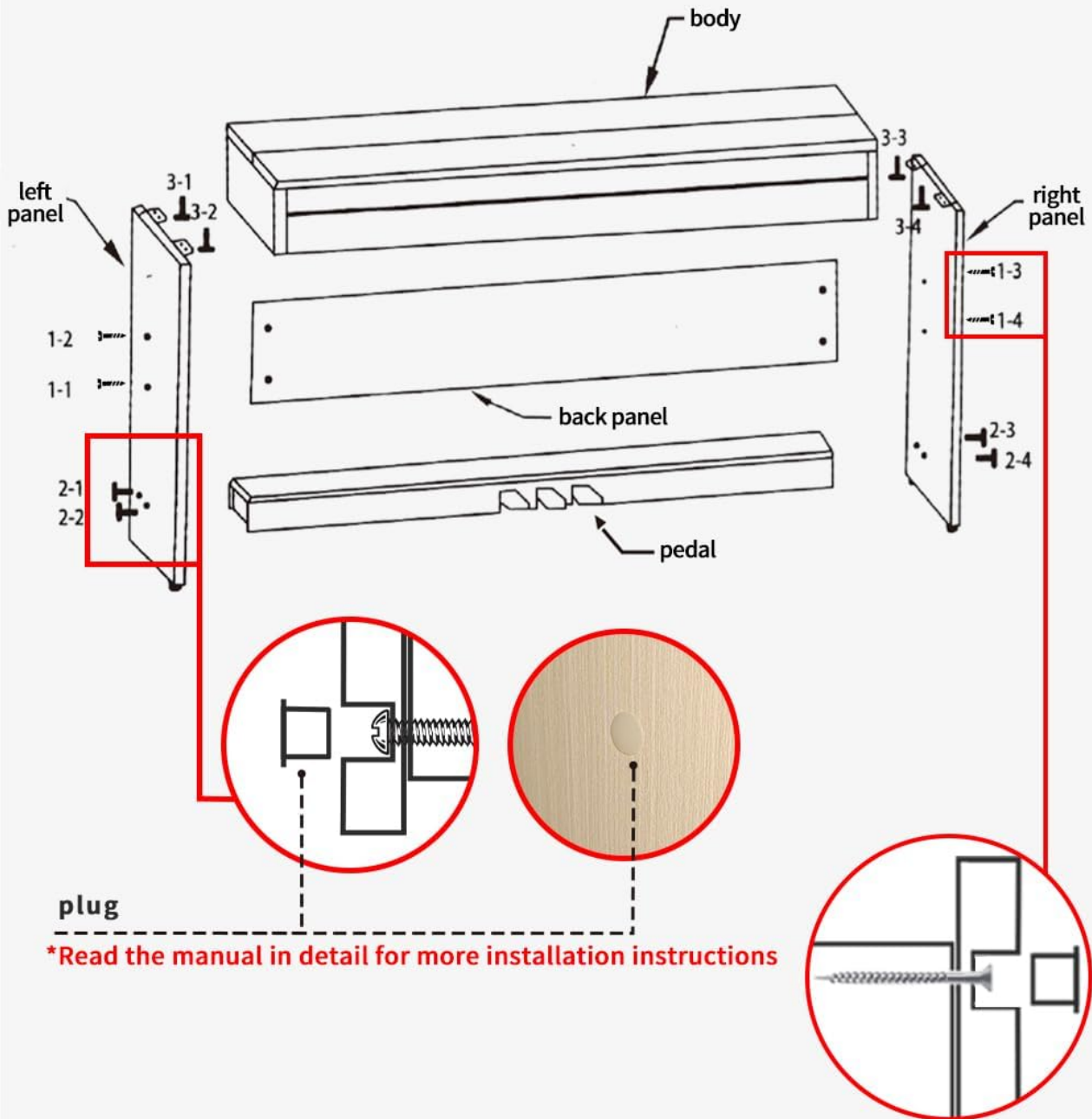
Follow these steps to assemble and set up your WENCAI BL-8812 Digital Piano.

4.1. Assembly

The piano requires minimal assembly. Ensure you have a clear, flat surface to work on.

1. Carefully unpack all components from the box.
2. Attach the side panels to the piano body using the appropriate screws.
3. Secure the back panel to the assembled structure.
4. Attach the pedal unit to the designated area on the stand using the flat head screws.
5. Place the piano body onto the assembled stand, aligning the screw holes, and secure it firmly.
6. Insert the music stand into the slot on the piano body.

Installing the screws in the holes of side panels Then cover screw holes with plugs



***Read the manual in detail for more installation instructions**

***Use the appropriate pointed screws to attach the back panel**

***Secure the pedal with appropriate flat head screws**

Figure 4.1: Assembly diagram showing the piano body, side panels, back panel, and pedal unit with screw locations. Use pointed screws for the back panel and flat head screws for the pedal.

Your browser does not support the video tag.

Video 4.1: This video provides a visual guide for the assembly of the WENCAI Home Digital Piano, demonstrating each step of putting together the stand and attaching the main keyboard unit.

4.2. Connecting Power and Pedals

Once assembled, connect the necessary cables.

1. Plug the power adapter into the DC IN port on the rear of the piano.
2. Connect the triple pedal unit cable to the MIDI port located on the underside of the piano body.
3. Plug the power adapter into a wall outlet.



Figure 4.2: Rear panel connections including USB, audio input/output, and DC power socket.



Figure 4.3: The triple pedal unit includes a mute pedal (reduces volume), damper pedal (extends notes), and sustain pedal (prolongs sound).

5. OPERATING INSTRUCTIONS

This section details the basic operation and advanced functions of your digital piano.

5.1. Power On/Off and Volume

- **Power:** Press and hold the [POWER] button on the control panel for 1-1.5 seconds to turn the piano on or off.
- **Volume:** Use the [VOL+] and [VOL-] buttons to adjust the master volume.

FULLY-WEIGHTED

WENCAI hammer-action weighted keyboard
with 88 standard full-sized keys.

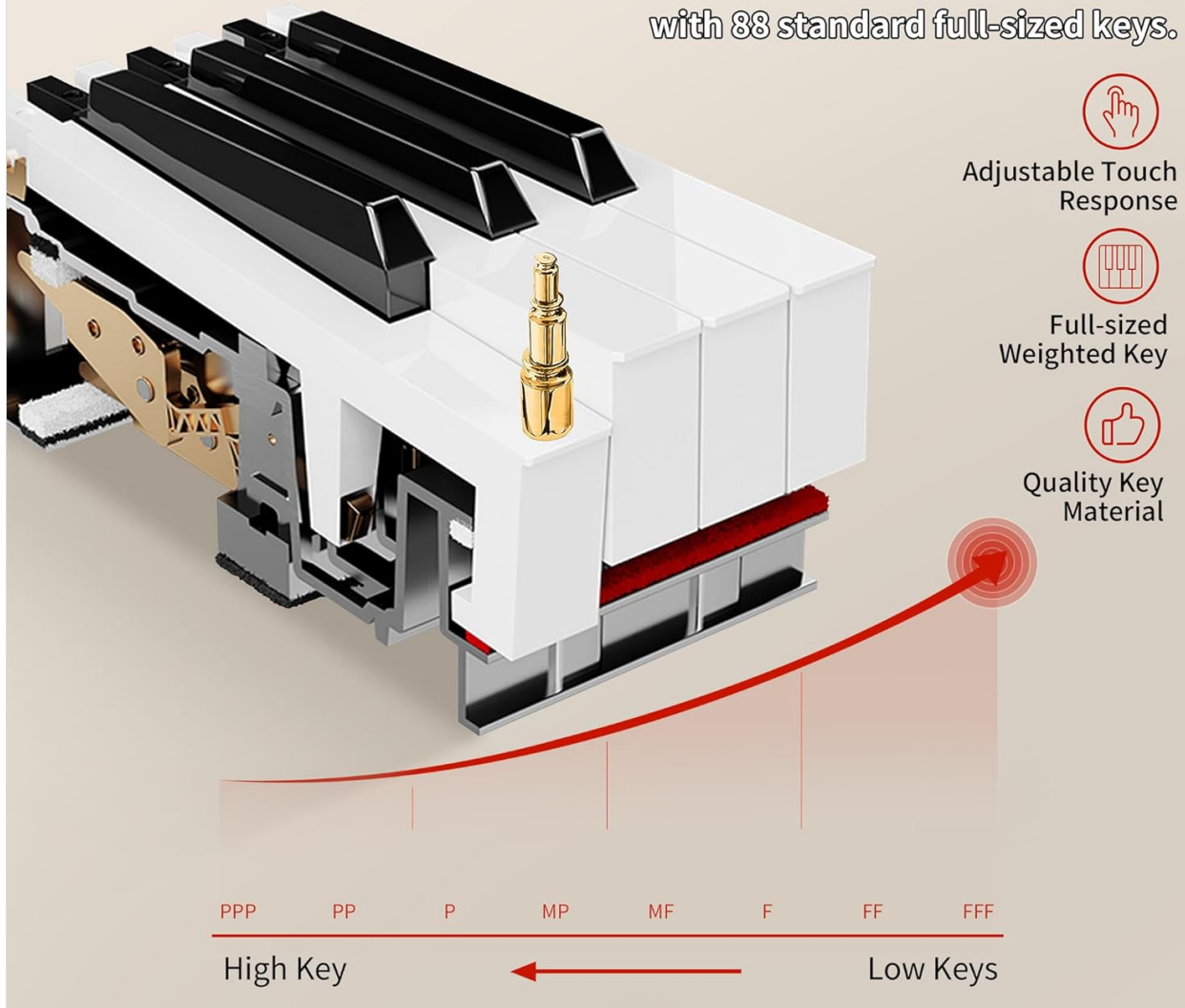


Figure 5.1: The control panel features buttons for Tone, Rhythm, Demo, Dual, Split, Tempo, Rec, Play, Setting, Synch, Chord, Beat, Volume, and Power.

5.2. Exploring Tones, Rhythms, and Demos

Your piano offers a wide array of sounds and pre-programmed content.

- **Tones:** Select from 128 different instrument tones using the [TONE] button and the SELECT+/- buttons.
- **Rhythms:** Choose from 100 built-in rhythms using the [RHYTHM] button and the SELECT+/- buttons.
- **Demo Songs:** Play any of the 88 demonstration songs using the [DEMO] button and the SELECT+/- buttons.



Figure 5.2: The fully weighted hammer-action keyboard provides adjustable touch response, mimicking an acoustic piano.

5.3. Advanced Functions

- **Recording & Playback:** Use the [REC] button to record your performances and the [PLAY] button for playback.
- **Split Mode:** Divide the keyboard into two sections, each with a different tone, using the [SPLIT] button.
- **Dual Mode:** Layer two different tones across the entire keyboard using the [DUAL] button.
- **Metronome:** Activate the metronome for timing practice using the [METRONOME] button.
- **MIDI/USB Connectivity:** Connect the piano to a computer or smart device via the MIDI/USB ports for advanced music production or learning applications.
- **Headphone Jack:** Plug headphones into the 3.5mm jack for silent practice.

IMMERSE IN MUSIC WORLD

Headphone mode is suitable for silence practice without disturbing others.



Figure 5.3: Headphone mode allows for silent practice without disturbing others, enhancing the learning experience.

Your browser does not support the video tag.

Video 5.1: This video provides an overview of the WENCAI Electronic Piano BL-8812, highlighting its 88 weighted keys and various features for an enhanced playing experience.

Your browser does not support the video tag.

Video 5.2: A detailed look at the WENCAI 88 Key Fully Weighted Digital Piano Keyboard, showcasing its design, key action, and sound capabilities.

6. MAINTENANCE

Proper maintenance will extend the life and performance of your digital piano.

- **Cleaning:** Regularly wipe the surface of the piano with a soft, dry, lint-free cloth. For stubborn dirt, slightly dampen the cloth with water and mild soap, then wipe dry immediately. Avoid harsh chemicals.
- **Key Care:** Keep the keys clean. If they become dirty, wipe them gently with a soft cloth dampened with water.
- **Storage:** When not in use, especially for extended periods, cover the piano with a dust cover to protect it from dust and debris.
- **Environmental Conditions:** Avoid exposing the piano to direct sunlight, extreme temperatures, or high humidity, as these can damage the internal components and finish.

7. TROUBLESHOOTING

If you encounter any issues with your digital piano, refer to the following common troubleshooting tips:

- **No Sound:**
 - Check if the power adapter is securely connected and the piano is turned on.
 - Ensure the master volume is turned up.
 - If headphones are plugged in, unplug them to check if sound comes from the speakers.
- **Keys Not Responding:**
 - Verify the piano is powered on.
 - Check if any mode (e.g., Split, Dual) is active that might affect key response.
- **Pedals Not Working:**
 - Ensure the pedal unit cable is securely connected to the MIDI port on the underside of the piano.
- **Distorted Sound:**
 - Lower the volume to see if distortion is reduced.
 - Check for any loose connections in the audio cables if external speakers are used.

If the issue persists after trying these steps, please contact customer support.

8. SPECIFICATIONS

Feature	Description
Brand	WENCAI
Model Name	BL-8812
Number of Keys	88
Key Action	Fully Weighted Hammer Action

Sound Source	French Digital Chip
Tones	128
Rhythms	100
Demo Songs	88
Connectivity	MIDI USB, Micro USB B, USB Type C, 3.5mm Jack
Power Source	Corded Electric
Item Weight	76.4 pounds
Package Dimensions	56.25 x 15 x 12.75 inches
Color	Beige

9. WARRANTY AND SUPPORT

WENCAI is committed to providing high-quality products and excellent customer service.

- **Warranty:** This product comes with a 1-year warranty from the date of purchase.
- **Returns:** Unconditional returns are accepted within 30 days of purchase.
- **Customer Support:** For any questions, technical assistance, or warranty claims, please contact us through your order history. Our customer support team is ready to assist you.