



Manuals.plus /

› EVURU /

› EVURU SS-001 Rocker Switch Overload Current Protector Circuit Breaker User Manual

EVURU SS-001

EVURU SS-001 Rocker Switch Overload Current Protector Circuit Breaker User Manual

Model: SS-001

1. INTRODUCTION

Thank you for choosing the EVURU SS-001 Rocker Switch Overload Current Protector Circuit Breaker. This device is designed to provide reliable overload protection for electrical circuits, combining the functionality of a power switch with an integrated circuit breaker. This manual provides essential information for the safe and effective installation, operation, and maintenance of your circuit breaker.

2. SAFETY INFORMATION

Please read all safety instructions carefully before installation and operation. Failure to follow these instructions may result in electric shock, fire, or other serious injury.

- **Electrical Hazard:** Always disconnect power to the circuit before installing or servicing the circuit breaker.
- **Qualified Personnel:** Installation and wiring should be performed by a qualified electrician or knowledgeable individual familiar with electrical systems.
- **Correct Rating:** Ensure the circuit breaker's current rating (e.g., 16A) matches the requirements of your application to prevent damage or fire.
- **Environmental Conditions:** Do not expose the device to moisture, extreme temperatures, or corrosive environments.
- **Inspection:** Regularly inspect the circuit breaker for any signs of damage, wear, or loose connections.

3. PRODUCT OVERVIEW

The EVURU SS-001 is a miniature, single-pole rocker switch circuit breaker designed for trip-free overload current protection. It integrates an ON/OFF switch with a thermal circuit breaker, making it suitable for various applications such as power strips, appliances, and industrial equipment. When an overload occurs, the breaker automatically trips, disconnecting the circuit to prevent damage. It can then be reset manually.



Figure 1: Front and bottom view of the EVURU SS-001 Rocker Switch Circuit Breaker. This image displays the 'RESET' and 'OFF' markings on the rocker switch, along with the terminal pins on the underside for electrical connections.

Key Features:

- **Integrated Functionality:** Combines ON/OFF switching with overload protection.
- **Trip-Free Design:** Ensures the circuit remains open during an overload, even if the switch is held in the ON position.
- **Single Pole:** Designed for single-phase circuits.
- **Compact Size:** Miniature design for easy integration into various devices.
- **Current Rating:** Available in various current ratings, such as 10A and 16A.

4. SETUP AND INSTALLATION

Proper installation is crucial for the safe and effective operation of the circuit breaker. If you are unsure about any step, consult a qualified electrician.

Installation Steps:

1. **Disconnect Power:** Before beginning any work, ensure that the main power supply to the circuit is completely disconnected. Verify with a voltage tester.
2. **Prepare Mounting Location:** The SS-001 is designed for panel mounting. Cut an appropriately sized

opening in the panel according to the dimensions provided in the specifications section or technical drawing.

3. **Insert Breaker:** Carefully insert the circuit breaker into the prepared opening until it snaps securely into place.
4. **Wire Connections:** Connect the electrical wires to the appropriate terminals on the underside of the circuit breaker. Refer to the wiring diagram (if available for your specific application) and ensure all connections are tight and secure. The terminals are typically marked for input and output.
5. **Verify Installation:** Double-check all wiring and mounting to ensure everything is correct and secure.
6. **Restore Power:** Once installation is complete and verified, restore power to the circuit.

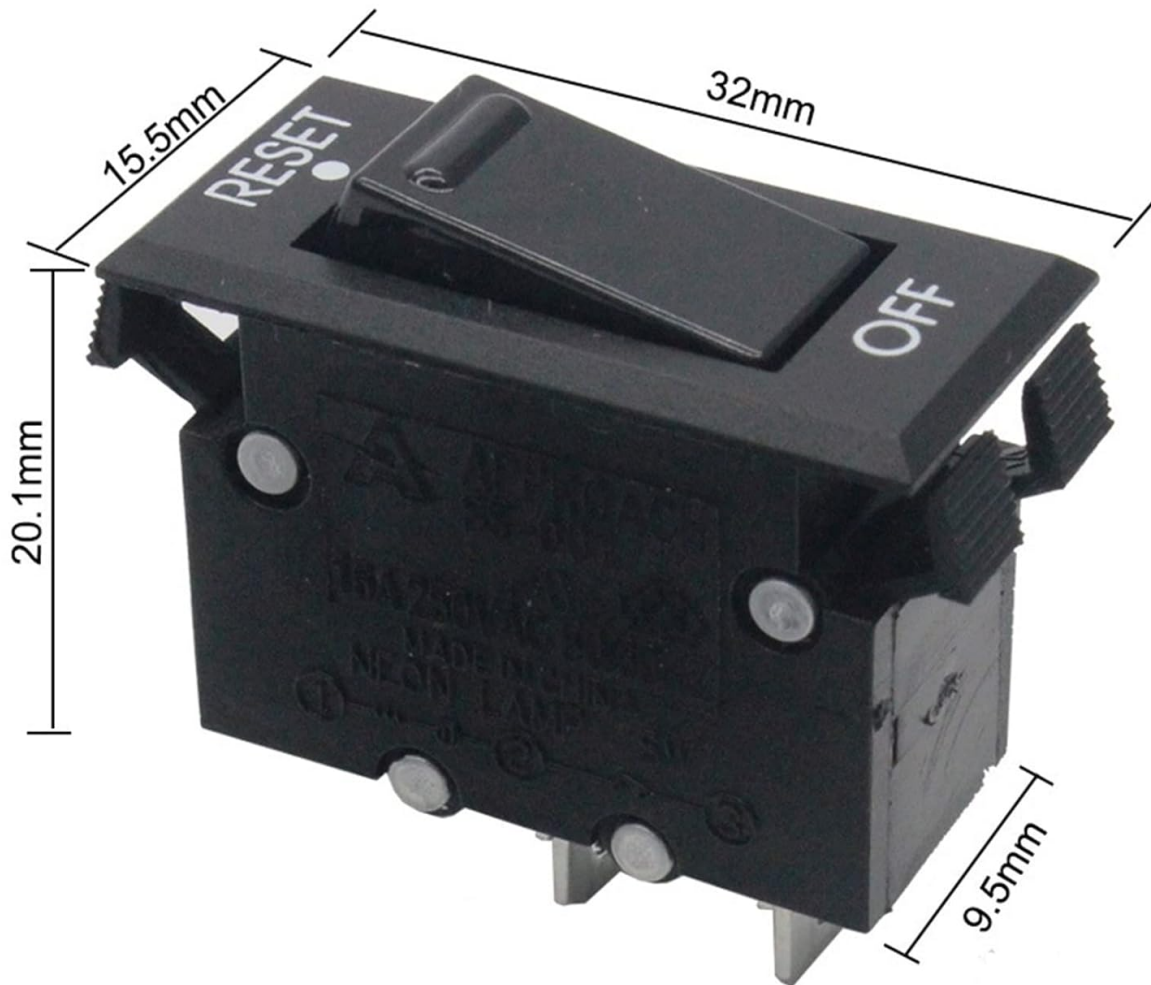


Figure 2: Top-down view of the EVURU SS-001 Rocker Switch Circuit Breaker with key dimensions (length, width, height) indicated in millimeters. These measurements are crucial for preparing the mounting cutout.

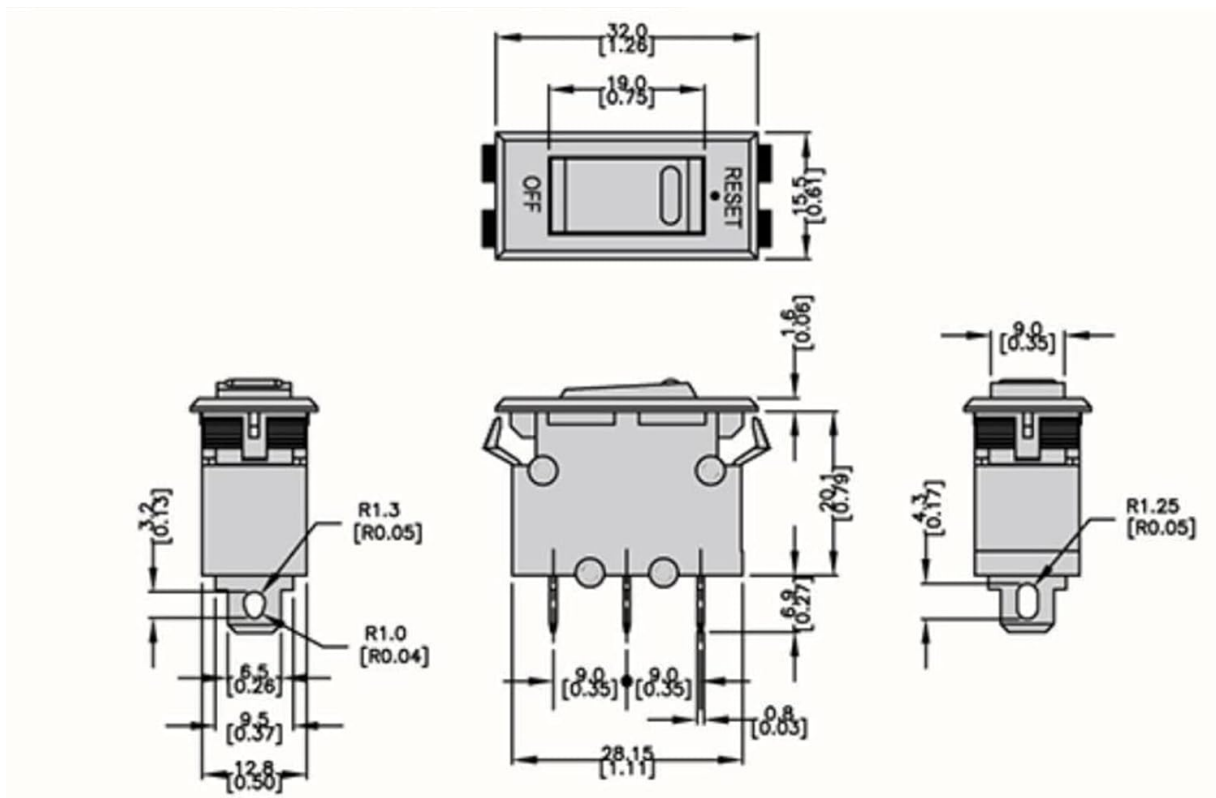


Figure 3: Detailed technical drawing of the EVURU SS-001 Rocker Switch Circuit Breaker, providing precise measurements in millimeters and inches for installation planning and ensuring proper fit.

5. OPERATING INSTRUCTIONS

Operating the EVURU SS-001 circuit breaker is straightforward:

- **Turning ON:** Press the rocker switch to the 'ON' position (typically indicated by the 'RESET' side being depressed or a visual indicator). The circuit is now energized.
- **Turning OFF:** Press the rocker switch to the 'OFF' position. The circuit is now de-energized.
- **Overload Protection:** If an overload current occurs, the circuit breaker will automatically trip, moving the rocker switch to the 'OFF' or a neutral position. This protects the circuit from damage.
- **Resetting the Breaker:** After an overload trip, identify and resolve the cause of the overload. Once the issue is corrected, press the rocker switch firmly to the 'RESET' position to re-energize the circuit. If the breaker immediately trips again, the overload condition still exists or there is a fault in the circuit.

6. MAINTENANCE

The EVURU SS-001 circuit breaker requires minimal maintenance. However, periodic checks are recommended to ensure continued safe and reliable operation:

- **Visual Inspection:** Periodically inspect the circuit breaker for any physical damage, discoloration, or signs of overheating.
- **Cleanliness:** Keep the area around the circuit breaker clean and free from dust and debris. Use a dry, soft cloth for cleaning. Do not use liquid cleaners.
- **Connection Check:** Ensure all wire connections remain tight. Loose connections can lead to overheating and poor performance.
- **Functionality Test:** If possible and safe to do so, periodically test the trip function by simulating an overload (only if you have the proper equipment and expertise). Otherwise, rely on its automatic protection.

7. TROUBLESHOOTING

If you encounter issues with your EVURU SS-001 circuit breaker, refer to the following troubleshooting guide:

Problem	Possible Cause	Solution
Breaker trips immediately after reset.	Persistent overload or short circuit in the connected circuit.	Disconnect all loads from the circuit. Reset the breaker. If it still trips, there is a fault in the wiring. If it holds, reconnect loads one by one to identify the faulty device.
Breaker does not trip during an apparent overload.	Breaker is undersized for the load, faulty breaker, or incorrect wiring.	Verify the current draw of the load does not exceed the breaker's rating. Replace the breaker if it is suspected to be faulty. Check wiring for correct connections.
Switch does not stay in the ON position.	Internal mechanical fault or continuous overload.	Ensure no overload is present. If the issue persists, the breaker may be faulty and require replacement.
Switch feels loose or unresponsive.	Physical damage or internal wear.	Replace the circuit breaker.

If troubleshooting steps do not resolve the issue, contact a qualified electrician or the manufacturer for assistance.

8. SPECIFICATIONS

The following are general specifications for the EVURU SS-001 Rocker Switch Overload Current Protector Circuit Breaker. Specific ratings may vary by model variant (e.g., 10A, 16A).

- **Model:** SS-001
- **Brand:** EVURU
- **Type:** Miniature Circuit Breaker, Rocker Switch
- **Number of Poles:** 1
- **Current Rating:** 16A (as per specific variant)
- **Voltage Rating:** 250VAC (as per image details)
- **Frequency:** 50/60Hz
- **Protection Type:** Overload Current Protection (Trip-Free)
- **Certifications:** CUL, VDE (as per image details)
- **Approximate Package Dimensions:** 1.18 x 0.79 x 0.39 inches (30 x 20 x 10 mm)
- **Approximate Item Weight:** 1.76 ounces (50 grams)

SS-001 Series Circuit Breaker



Figure 4: Bottom view of the EVURU SS-001 Circuit Breaker showing electrical ratings (16A, 250VAC) and certifications (CUL, VDE), which are essential for compliance and safe operation.

9. WARRANTY AND SUPPORT

For warranty information or technical support regarding your EVURU SS-001 Rocker Switch Overload Current Protector Circuit Breaker, please refer to the product packaging or contact your point of purchase. Keep your purchase receipt as proof of purchase.