



[Manuals.plus](#) /

> [Bealife](#) /

> Bealife Kitchen Cart with Towel Rack and Spice Rack Instruction Manual - Model AK61-EU

## Bealife AK61-EU

# Bealife Kitchen Cart Instruction Manual - Model AK61-EU

Your guide to assembly, operation, and maintenance

## INTRODUCTION

---

Welcome to your new Bealife Kitchen Cart. This manual provides essential information for the safe and efficient assembly, operation, and maintenance of your product. Please read it thoroughly before use to ensure proper functionality and longevity of your kitchen cart.

## SAFETY INFORMATION

---

Please observe the following safety guidelines to prevent injury or damage to the product:

- Read all instructions carefully before beginning assembly and before using the product.
- Keep all small parts and packaging materials away from children during assembly to prevent choking hazards.
- Ensure all screws, bolts, and fasteners are securely tightened before placing any items on the cart or moving it.
- Do not exceed the maximum weight recommendation of 110 kg (242 lbs) for the entire cart. Distribute weight evenly.
- Always use the kitchen cart on a flat, stable, and level surface to prevent tipping.
- Lock the wheels when the cart is stationary to prevent accidental movement, especially when loading or unloading items.
- Avoid standing or climbing on the cart.

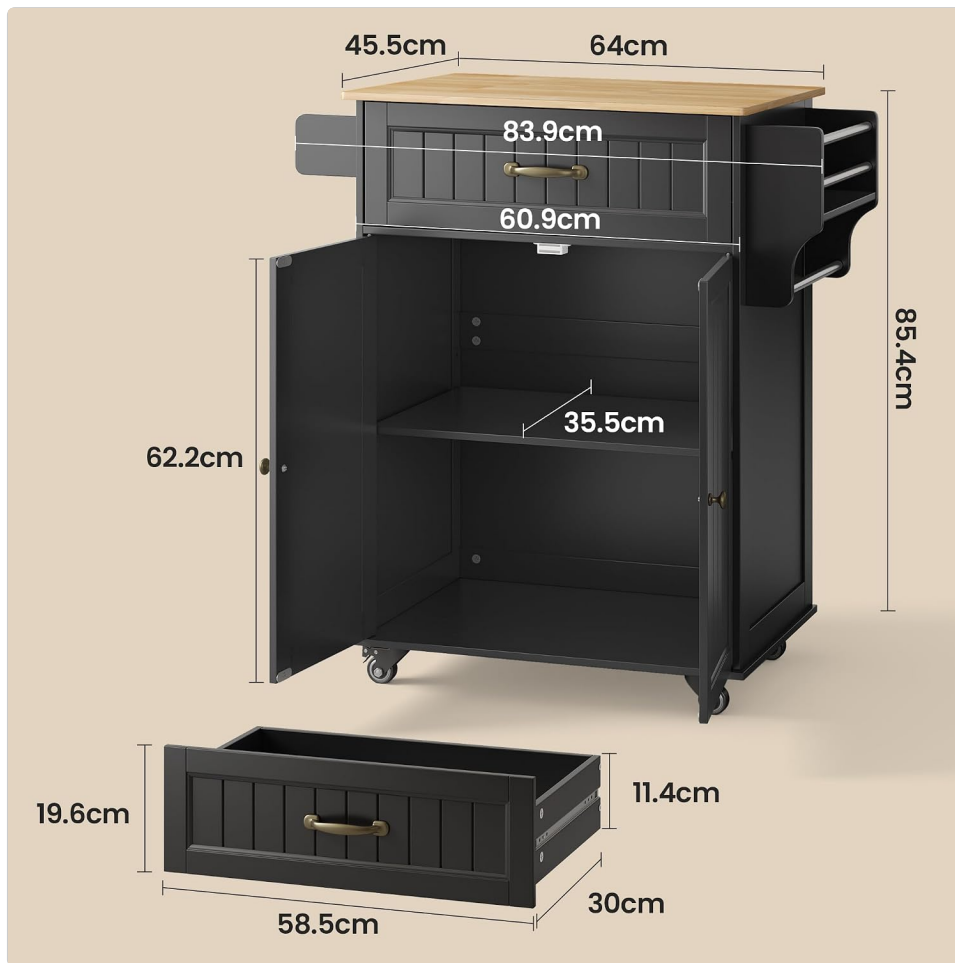
## PACKAGE CONTENTS

---

Before you begin assembly, please verify that all components listed in your included instruction booklet are present and undamaged. Each part is typically numbered for easy identification.

- All numbered wooden panels and components for the kitchen cart structure.
- Assembly hardware (screws, dowels, cam locks, etc.).

- Four swivel wheels (two with locking mechanisms).
- Towel rack and spice rack attachments.
- Detailed instruction manual.



*Image: Overview of all components and their dimensions for assembly.*

## SETUP AND ASSEMBLY

Assembly of the Bealife Kitchen Cart is designed to be straightforward and typically takes approximately 30 minutes for one adult. Follow the detailed, step-by-step instructions provided in the separate assembly booklet included in your package.

### General Assembly Steps:

1. **Unpack and Identify Components:** Carefully remove all parts from the packaging. Lay them out on a clean, soft surface (like a blanket or carpet) to prevent scratches. Compare each part with the component list in your instruction booklet.
2. **Assemble the Base Frame:** Begin by attaching the side panels to the bottom panel using the provided hardware. Ensure all connections are firm and aligned correctly.
3. **Install the Wheels:** Securely attach the four 360° swivel wheels to the bottom of the cart. Ensure the two lockable wheels are positioned where they can be easily accessed.
4. **Construct the Cabinet and Drawer:** Assemble the main cabinet structure, including the internal adjustable shelf. Install the drawer slides into the cabinet, then assemble the drawer itself. Carefully slide the completed drawer into its designated slot.
5. **Attach the Worktop and Accessories:** Place the wooden worktop onto the assembled cabinet, securing it as per the instructions. Attach the removable towel rack and the side spice rack to their

designated areas on the cart.

6. **Final Checks:** Once assembly is complete, verify that all connections are tight and the cart is stable. Ensure the drawer opens and closes smoothly, and the cabinet doors align correctly.



Image: The kitchen cart featuring its mobile wheels, highlighting the 360° swivel and locking function.

## OPERATING INSTRUCTIONS

Your Bealife Kitchen Cart is designed for versatile use and convenient storage in various settings.

### Mobility and Stability:

- The cart is equipped with four 360° swivel wheels, allowing for easy movement across your kitchen, dining area, or hallway.
- To move the cart, ensure the locks on the two lockable wheels are disengaged.
- To secure the cart in a stationary position, engage the locks on the two lockable wheels. This prevents unintended movement.

### Storage and Functionality:

- **Spacious Worktop:** The wooden worktop (approximately 45 x 65 x 1.5 cm) provides ample surface area for food preparation, serving, or accommodating small kitchen appliances like a microwave or coffee maker.
- **Wide Drawer:** Utilize the top drawer for organized storage of cutlery, napkins, utensils, or other small kitchen essentials.
- **Cabinet Storage:** The two-door cabinet features an adjustable shelf, offering flexible storage space for larger items such as pots, pans, dishes, or pantry staples.

- **Side Spice Rack:** The integrated side rack is designed to keep your seasoning bottles and spices neatly organized and within easy reach.
- **Removable Towel Rack:** The side-mounted towel rack can hold kitchen towels or paper towel rolls, providing convenient access.



*Image: The kitchen cart with its cabinet doors open, showcasing internal storage for various kitchen items.*



### Large Worktop

Provides Space for Food Preparation and Accommodates Small Kitchen Appliances

### Side Spice Rack

Helps Organize Seasoning Bottles within Easy Reach

### Removable Towel Rack

Easily Detachable to Hold Kitchen Towels or Paper Rolls

### Wide Drawer

Offers Hidden Storage for Cutlery, Napkins, or Other Small Items

*Image: Detailed view of the cart's features: spacious worktop, side spice rack, removable towel rack, and wide storage drawer.*

## MAINTENANCE

---

Proper care and maintenance will help extend the life and appearance of your kitchen cart.

### Cleaning:

- Wipe the surfaces of the kitchen cart with a soft, damp cloth.
- For stubborn stains, use a mild soap solution and immediately dry the surface with a clean cloth.
- Avoid using harsh chemicals, abrasive cleaners, or scouring pads, as these can damage the finish and material.

### General Care:

- Periodically check all screws and fasteners to ensure they remain tight. Retighten if necessary to maintain the cart's structural integrity and stability.
- Avoid exposing the cart to excessive moisture, direct sunlight, or extreme temperature changes for prolonged periods, as this can cause warping, discoloration, or other material damage.
- If the wheels become stiff, clean them and apply a small amount of silicone lubricant to the swivel mechanisms.

## TROUBLESHOOTING

---

If you encounter any issues with your Bealife Kitchen Cart, refer to the following common problems and solutions:

- **Cart is unstable or wobbly:**

Ensure all assembly screws are fully tightened. Check that the cart is placed on a level surface. Adjust the lockable wheels if they are not fully engaged or disengaged.

- **Drawer does not slide smoothly:**

Verify that the drawer slides are correctly installed and free from obstructions. Lubricate the slides with a suitable furniture lubricant if needed. Ensure the drawer is not overloaded.

- **Cabinet doors do not close properly:**

Check the alignment of the hinges and adjust them if necessary. Ensure no items inside the cabinet are obstructing the doors from closing fully.

- **Wheels are difficult to move:**

Check for any debris or hair caught in the wheel mechanisms. Clean them thoroughly. Ensure the wheel locks are disengaged.

## SPECIFICATIONS

Feature	Detail
Model Number	AK61-EU
Product Dimensions (L x W x H)	90.5 x 45.5 x 93 cm (35.6 x 17.9 x 36.6 inches)
Item Weight	17.8 kg (39.2 lbs)
Material	Engineered Wood (MDF and Rubberwood)
Color	Black
Maximum Weight Recommendation	110 kg (242 lbs)
Number of Shelves	2 (1 adjustable within cabinet)
Assembly Required	Yes
Special Features	Towel rack, Spice rack, Lockable swivel wheels, Drawer
UPC	630130645224

## WARRANTY AND SUPPORT

Bealife is committed to providing quality products and customer satisfaction.

For any questions regarding assembly, missing parts, product functionality, or to report any issues, please contact Bealife customer service. A professional service team is available to assist you within 24 hours.

Please refer to your purchase documentation or the retailer's website for specific warranty details and contact information.