



[Manuals.plus](#) /

> [BBQration](#) /

> BBQration 25.6-Inch Warming Rack for Nexgrill 4-Burner Gas Grills (Models 720-0830H, 720-0958AE, 720-0789H) - Instruction Manual

BBQration 25.6-inch Warming Rack

BBQration 25.6-Inch Warming Rack Instruction Manual

Compatible with Nexgrill 4-Burner Gas Grills (Models 720-0830H, 720-0958AE, 720-0789H)

1. INTRODUCTION

Thank you for choosing the BBQration 25.6-inch warming rack. This manual provides essential information for the proper installation, safe operation, and effective maintenance of your new grill warming rack. Please read these instructions thoroughly before installation and retain them for future reference.

2. PRODUCT OVERVIEW

The BBQration 25.6-inch warming rack is designed as a direct replacement part for various Nexgrill 4-burner gas grill models. It provides an elevated surface for keeping cooked food warm or for light cooking tasks.

2.1 Key Features

- **Dimensions:** 25.6 inches (L) x 7.3 inches (W)
- **Material:** Durable metal construction for longevity.
- **Compatibility:** Specifically designed for Nexgrill 4-Burner Gas Grills.

2.2 Compatible Grill Models

This warming rack is compatible with the following Nexgrill 4-Burner Gas Grill models:

- 720-0830H, 720-0830HR, 720-0830HM
- 720-0958A, 720-0958AE, 720-0958D, 720-0958B
- 720-0789D, 720-0789GA, 720-0789DC, 720-0789G, 720-0789H, 720-0789M, 720-0789K, 720-0789, 720-0789MB, 720-0789C, 720-0789DE
- 720-1068
- 860-0030

Also compatible with Expert Grill 4 Burner Grill 720-0789H and Backyard Grill 720-0789DC.

Compatible Grill Models



Nexgrill 4-Burner Gas Grills

720-0830H 720-0830
720-0830D 720-0830T
730-0830H 730-0830MB



Nexgrill 4-Burner Gas Grills

720-0958A 720-0958AE
730-0958A 730-0958AE



Image: Compatible Nexgrill 4-Burner Gas Grill models.

Grill Replacement Parts for Nexgrill

720-0830H 720-0958AE

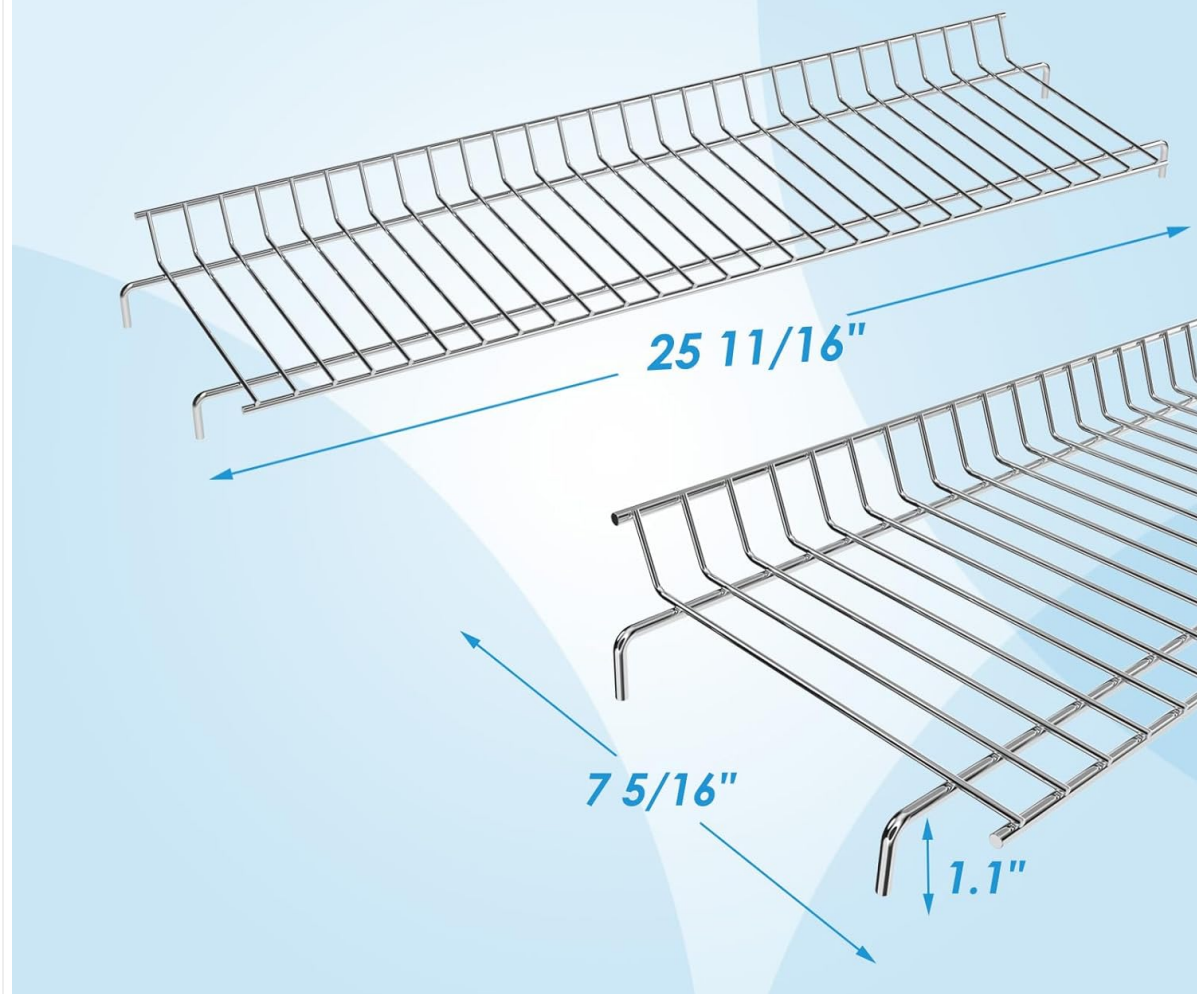


Image: Detailed dimensions of the BBQration warming rack.

3. SETUP AND INSTALLATION

Installation of the warming rack is straightforward. Ensure your grill is cool and turned off before proceeding.

1. **Preparation:** Open the grill lid and remove any existing warming rack or other components that may obstruct the installation area.
2. **Placement:** Carefully position the new BBQration warming rack into the designated slots or supports within your grill. The legs of the warming rack should rest securely on the grill's internal brackets.
3. **Verification:** Gently push down on the warming rack to ensure it is stable and properly seated. It should not wobble or shift easily.



Image: Warming rack correctly installed in a gas grill.

4. OPERATING INSTRUCTIONS

The warming rack serves multiple purposes during grilling:

- **Keeping Food Warm:** After cooking, transfer items like burgers, hot dogs, or vegetables to the warming rack to maintain their temperature without overcooking.
- **Gentle Cooking:** Use the warming rack for items that require lower, indirect heat, such as toasting buns, slow-cooking delicate vegetables, or finishing off thicker cuts of meat.
- **Resting Meats:** Allow cooked meats to rest on the warming rack, which helps redistribute juices for a more tender and flavorful result.

Always monitor food on the warming rack to prevent burning, especially when the main burners are in use at high temperatures.



Image: Warming rack in use with food.

5. MAINTENANCE AND CARE

Regular cleaning and maintenance will extend the life of your warming rack and ensure optimal performance.

- **After Each Use:** Once the grill has cooled, use a grill brush to scrape off any food residue from the warming rack.
- **Deep Cleaning:** For more thorough cleaning, remove the warming rack from the grill. Wash it with warm, soapy water and a non-abrasive sponge. Rinse thoroughly and dry completely before returning it to the grill or storing it.
- **Storage:** If storing the grill outdoors, consider covering it to protect all components, including the warming rack, from the elements.

6. TROUBLESHOOTING

If you encounter issues with your warming rack, consider the following:

- **Improper Fit:** Double-check the compatibility list in Section 2.2. Ensure the rack is correctly aligned with the support brackets in your grill. Slight adjustments may be needed for a secure fit.
- **Rust/Corrosion:** While designed for durability, exposure to harsh elements and lack of cleaning can lead to rust. Ensure regular cleaning and proper drying. For minor rust, a wire brush and high-temperature grill paint (food-safe) can be used, but replacement is recommended if corrosion is significant.

7. SPECIFICATIONS

Product Name	BBQration Warming Rack
Model	25.6-inch Warming Rack
Dimensions (L x W)	25.6 inches x 7.3 inches
Item Weight	Approximately 1.6 pounds
Material	Durable Metal
Manufacturer	BBQration

8. WARRANTY AND SUPPORT

BBQration products are manufactured to high-quality standards. For any questions regarding installation, compatibility, or product performance, please contact BBQration customer support. Refer to your purchase documentation for specific warranty details and contact information.

You can find more information and contact details by visiting the official BBQration store page on Amazon:
[BBQration Store](#)