

Doredo DSG-1

Doredo Modern High Gloss TV Stand (Model DSG-1) Instruction Manual

Your guide to assembly, operation, and maintenance.

1. PRODUCT OVERVIEW

The Doredo Modern High Gloss TV Stand, Model DSG-1, is a contemporary entertainment center designed to accommodate televisions up to 80 inches. It features a sleek white high-gloss UV surface, offering both functionality and a modern aesthetic for your living space. This unit provides ample storage with multiple cabinets and drawers.



Image 1.1: The Doredo Modern High Gloss TV Stand (Model DSG-1) in a typical living room setup.

Key Features:

- **Modern High Gloss Design:** Smooth white body with black accents and a high gloss UV surface.
- **Large TV Compatibility:** Designed for TVs up to 80 inches, suitable for plasma, LED, OLED, and LCD models.
- **Spacious Storage:** Includes 2 small drawers and 3 large cabinets for organizing media, accessories, and other items.
- **Robust Construction:** Crafted from high-grade particle board with quality hardware for durability.
- **User-Friendly Assembly:** Features labeled parts and numbered screws for straightforward installation.

2. SETUP AND ASSEMBLY

Before beginning assembly, ensure all components are present and undamaged. Refer to the detailed instruction manual included in your product packaging for step-by-step guidance. It is recommended to assemble the unit on a soft, clean surface to prevent scratches.

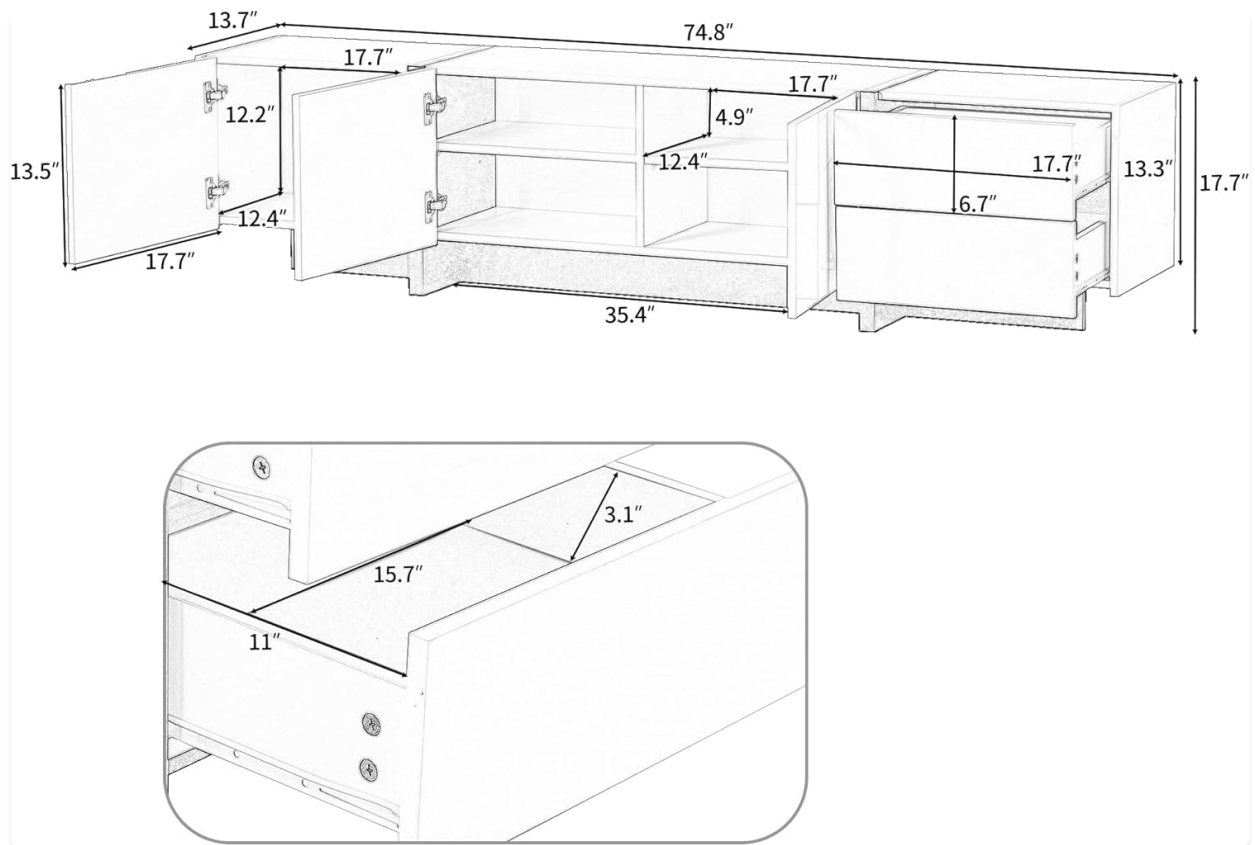


Image 2.1: Dimensional diagram of the TV stand, illustrating overall size and internal compartment measurements.

Assembly Steps (General Guidelines):

1. **Unpack and Identify Parts:** Carefully unpack all components and hardware. Verify against the parts list in your manual.
2. **Assemble the Base:** Follow the instructions to connect the base sections securely.
3. **Construct the Main Body:** Attach side panels, shelves, and dividers as indicated.
4. **Install Drawers and Cabinets:** Assemble the drawers and cabinet doors, then install them into their designated compartments. Ensure hinges and drawer slides operate smoothly.
5. **Final Placement:** Once assembled, carefully move the TV stand to its desired location. Ensure it is level and stable before placing a television or other items on it.

Important: For safety, always follow the specific assembly instructions provided with your product. If any parts are missing or damaged, contact Doredo customer service immediately.

3. OPERATING AND USAGE

The Doredo TV Stand is designed for convenient storage and display of your entertainment equipment and other items.

GREAT

STORAGE CAPACITY



2 small drawers and 3 big cabinets provide plenty of room for the items.



Load-bearing: 291LBS.

Image 3.1: View of the TV stand's storage capacity with drawers and cabinets open.

Storage Utilization:

- **Drawers:** Use the two small drawers for storing smaller items such as remote controls, game controllers, or charging cables.
- **Cabinets:** The three large cabinets provide space for media players, gaming consoles, DVDs, books, or other household items. Adjustable shelves may be present to customize storage space.
- **Top Surface:** The spacious top surface is suitable for placing your television and decorative items. Ensure the TV's base fits securely within the stand's dimensions.

Caution: Do not exceed the maximum weight capacity of 291 lbs for the entire unit. Distribute weight evenly across the top surface and within storage compartments.

4. MAINTENANCE AND CARE

Proper care will help maintain the appearance and longevity of your Doredo TV Stand.

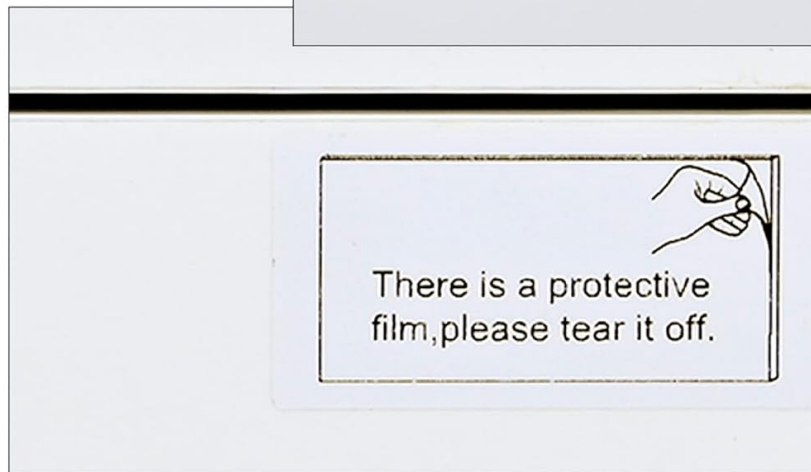
The plastic film for protecting UV from scratches should be teared off before put into use.



If there is light dust on the edge, it can be wiped with a wet rag.

Before

After



Stickers on some surface to remind you to remove the plastic film.

Image 4.1: Illustration of removing the protective film from the UV high-gloss surface.

Cleaning Instructions:

- **Initial Setup:** Before first use, remove any protective plastic film from the high-gloss UV surfaces. Stickers on the surface will remind you to do this.
- **Regular Cleaning:** For light dust, wipe the surface with a soft, dry cloth.
- **Deeper Cleaning:** For smudges or dirt, use a soft, damp cloth. Avoid abrasive cleaners, harsh chemicals, or rough sponges, as these can damage the high-gloss finish.
- **Spills:** Wipe up spills immediately with a soft, dry cloth to prevent staining or damage to the finish.

5. TROUBLESHOOTING

This section addresses common issues you might encounter with your TV stand.

Common Issues:

- **Wobbly Stand:** Ensure all screws and fasteners are tightened securely. Check that the stand is placed on a level surface. Adjust leveling feet if available.
- **Drawers or Doors Not Closing Properly:** Verify that drawer slides are correctly aligned and free of obstructions. Check that hinges on cabinet doors are properly installed and adjusted.

- **Scratches on Surface:** Minor scratches on the high-gloss finish may be reduced with specialized furniture polish designed for high-gloss surfaces. Always test in an inconspicuous area first.

If you encounter issues not listed here or require further assistance, please contact Doredo customer service.

6. PRODUCT SPECIFICATIONS

Feature	Detail
Brand	Doredo
Model Number	DSG-1
Color	White
Material	Engineered Wood
Product Dimensions (L x W x H)	75 x 14 x 18 inches
Item Weight	91 pounds
Number of Drawers	2
Storage Cabinets	3
Weight Capacity	291 Lbs
Special Features	High gloss UV surface, suitable for TVs up to 80 inches
UPC	762349358333

7. WARRANTY AND CUSTOMER SUPPORT

Doredo is committed to providing high-quality products and customer satisfaction. For any questions, concerns, or assistance with your TV stand, please do not hesitate to contact our customer service team.

Contact Information:

- Refer to your product packaging or purchase documentation for specific warranty details and contact methods.
- Visit the official Doredo store for more information and support: [Doredo Store on Amazon](#)

Our customer service team is available to assist with assembly questions, missing parts, or any other product-related inquiries.

